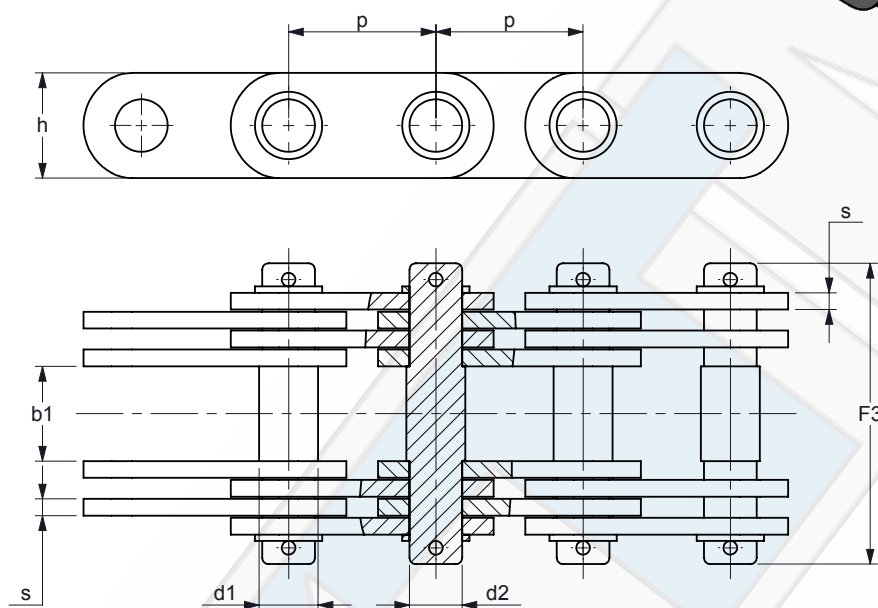
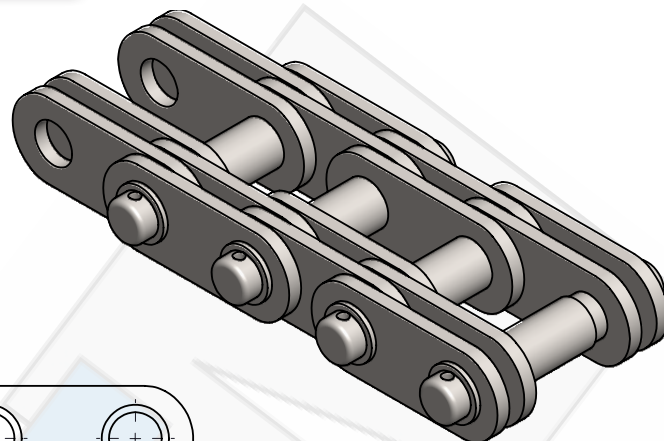


TREKBANKKETINGEN
DRAW BENCH CHAINS
ZIEHBANKKETTEN
CHAÎNES POUR BANCS À ETIRER

Europese norm vlgs. DIN 8156
 European standard acc. to DIN 8156



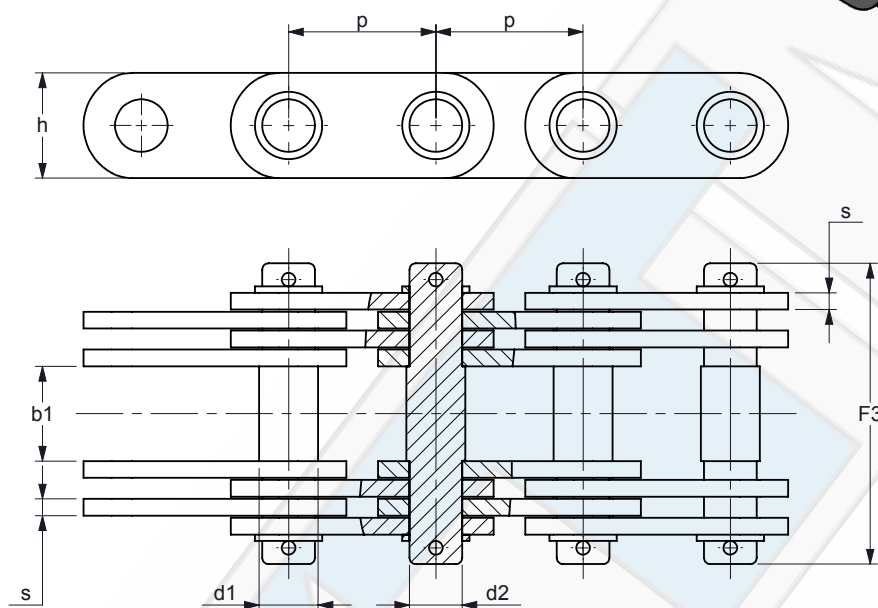
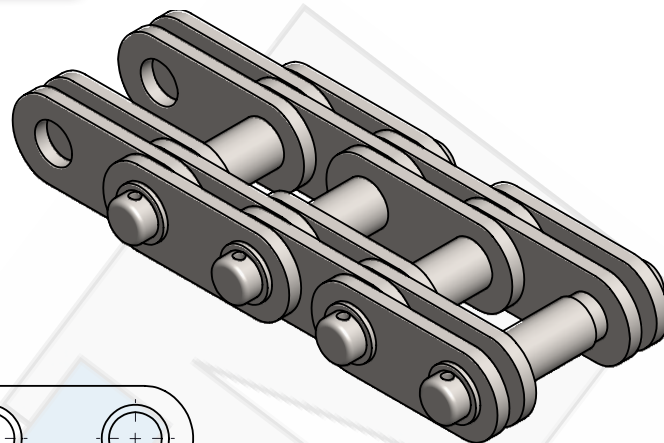
K.T.N. Number	p [mm]	b1 min. [mm]	d1 max. [mm]	d2 max. [mm]	F3 [mm]	h max. [mm]	s max. [mm]	Splint DIN 94	f [cm ²]	Fb min. [kN]	q ca. [kg/m]
TB030KE	30	20	11	9	60	20	3	2,5 x 16	1,1	30	4,0
TB050KE	50	25	14	12	71	30	3	3,2 x 20	1,5	60	5,5
TB060KE	60	35	22	20	103	40	5	5 x 32	4,0	190	14,0
TB070KE	70	45	28	25	143	50	8	6,3 x 36	8,0	380	27,0
TB090KE	90	60	36	32	183	60	10	8 x 50	13,0	600	42,0
TB110KE	110	70	45	40	211	80	12	8 x 56	19,0	960	68,0
TB120KE	120	80	50	45	248	80	15	10 x 63	27,0	1200	83,0
TB160KE	160	100	60	55	320	100	20	10 x 71	44,0	1900	130,0
TB180KE	180	120	80	70	385	130	25	13 x 90	70,0	3000	220,0
TB240KE	240	140	90	80	456	160	30	13 x 100	96,0	4800	305,0
TB280KE	280	160	110	100	481	200	30	13 x 125	120,0	6000	395,0

Overige trekbankkettingen vlgs. KTN werksnorm
 Other draw bench chains acc. to KTN works standard

Kettingwielen op aanvraag
 Sprockets on request

TREKBANKKETINGEN
DRAW BENCH CHAINS
ZIEHBANKKETTEN
CHAÎNES POUR BANCS À ETIRER

Europese norm vlgs. DIN 8157
 European standard acc. to DIN 8157



K.T.N. Number	p [mm]	b1 min. [mm]	d1 max. [mm]	d2 max. [mm]	F3 [mm]	h max. [mm]	s max. [mm]	Splint DIN 94	f [cm ²]	Fb min. [kN]	q ca. [kg/m]
TB070KE	70	45	28	25	143	60	8	6,3 x 36	8,0	380	35,0
TB090KE	90	60	36	32	183	70	10	8 x 50	13,0	600	50,0
TB110KE	110	70	45	40	211	90	12	8 x 56	19,0	960	75,0
TB120KE	120	80	50	45	248	90	15	10 x 63	27,0	1200	93,0
TB160KE	160	100	60	55	320	110	20	10 x 71	44,0	1900	140,0
TB180KE	180	120	80	70	385	140	25	10 x 90	70,0	3000	250,0
TB240KE	240	140	90	80	456	180	30	13 x 100	96,0	4800	345,0
TB280KE	280	160	110	100	481	220	30	13 x 125	120,0	6000	435,0

Overige trekbankkettingen vlgs. KTN werksnorm
 Other draw bench chains acc. to KTN works standard

Kettingwielen op aanvraag
 Sprockets on request