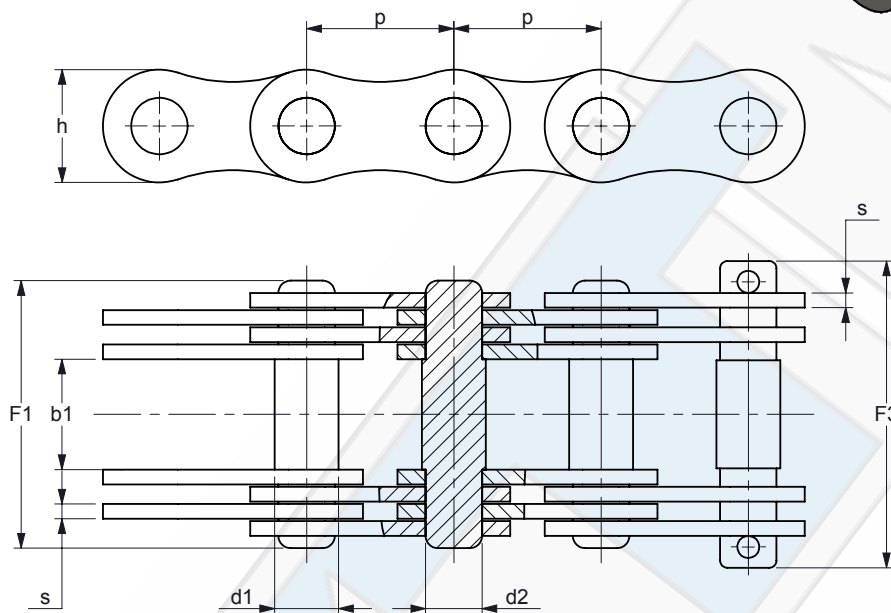
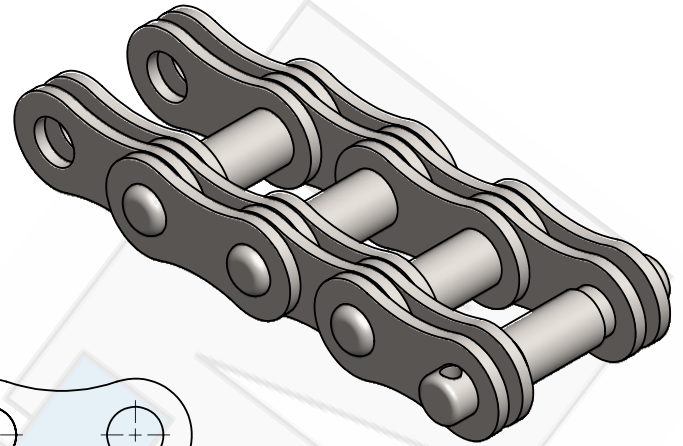


GALLSE KETTINGEN
GALL'S CHAINS
GALLKETTEN
CHAÎNES GALLE

Europese norm vlg. DIN 8150
 European standard acc. to DIN 8150



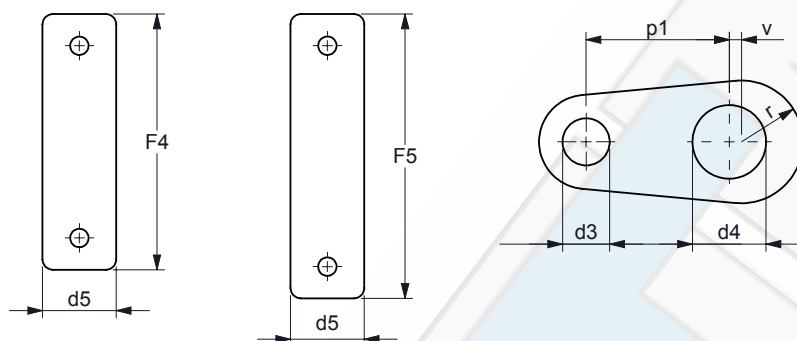
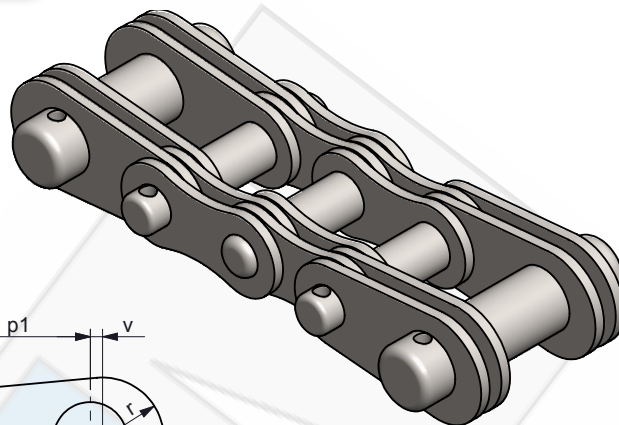
K.T.N. Number	p [mm]	b1 min. [mm]	d1 max. [mm]	d2 max. [mm]	F1 [mm]	F3 [mm]	h max. [mm]	s max. [mm]	Plate quantity	f [cm ²]	Fb min. [kN]	q ca. [kg/m]
GK015KE	15	12	5	4	25	27	12	2	2	0,16	5,0	0,7
GK020KE	20	15	8	6	28	33	15	2	2	0,24	12,0	1,1
GK025KE	25	18	10	8	36	42	18	3	2	0,48	25,0	1,8
GK030KE	30	20	11	9	51	58	20	3	4	1,08	40,0	3,4
GK035KE	35	22	12	10	53	61	26	3	4	1,20	60,0	4,5
GK040KE	40	25	14	12	58	66	32	3	4	1,44	80,0	5,0
GK045KE	45	30	17	14	63	70	35	3	4	1,68	100,0	7,0
GK050KE	50	35	22	18	90	97	40	4,5	4	3,24	150,0	11,3
GK055KE	55	40	24	21	108	115	42	6	4	5,04	200,0	14,5
GK060KE	60	45	26	23	114	120	46	6	4	5,52	250,0	17,1
GK070KE	70	50	32	28	148	157	55	6	6	10,08	375,0	34,0
GK080KE	80	60	36	32	159	171	60	6	6	11,52	500,0	39,0
GK090KE	90	70	40	36	184	200	70	7	6	15,12	750,0	53,0
GK100KE	100	80	45	40	224	234	80	7	8	22,95	1000,0	77,0
GK110KE	110	90	50	45	236	251	90	7	8	25,28	1250,0	90,0
GK120KE	120	100	55	50	262	277	100	8	8	32,00	1500,0	112,0

Overige gallse kettingen vlg. KTN werksnorm
 Other gall chains acc. to KTN works standard

Kettingwielen op aanvraag
 Sprockets on request

GALLSE KETTINGEN EINDPLATEN
GALL'S CHAINS END LINKS
GALLKETTEN ENDLASCHEN
CHAÎNES GALLE MAILLONS POIRES

Europese norm vlgs. DIN 8150
 European standard acc. to DIN 8150



K.T.N. Number	p chain [mm]	p1 [mm]	d3 C11 [mm]	d4 A11 [mm]	d5 h11 [mm]	F4 [mm]	F5 [mm]	r [mm]	v [mm]	Flanges form acc. to DIN 125	Splint acc. to DIN 94
GK015	15	20	4	9	9	29	33	9	2,0	-	2 x 20
GK020	20	25	6	10	10	32	36	10	2,0	-	2,5 x 20
GK025	25	30	8	12	12	40	46	12,5	2,5	-	3,2 x 25
GK030	30	40	9	14	14	54	60	15	3,0	-	4 x 22
GK035	35	45	10	16	16	55	62	17,5	3,5	-	4 x 25
GK040	40	50	12	18	18	63	70	20	4,0	-	5 x 32
GK045	45	55	14	22	22	68	75	22,5	4,5	-	5 x 36
GK050	50	60	18	26	26	98	108	25	5,0	27,0	6,3 x 40
GK055	55	65	21	32	32	118	132	27,5	5,5	33,0	8 x 50
GK060	60	70	23	36	36	125	139	30	6,0	37,0	8 x 50
GK070	70	85	28	40	40	156	169	35	7,0	41,0	8 x 56
GK080	80	100	32	50	50	176	189	42,5	8,5	52,0	10 x 71
GK090	90	120	36	60	60	199	214	50	10,0	62,0	10 x 80
GK100	100	140	40	70	70	239	256	60	12,0	74,0	10 x 90
GK110	110	160	45	80	80	264	279	70	14,0	82,0	13 x 100
GK120	120	180	50	90	90	287	306	80	16,0	93,0	13 x 112