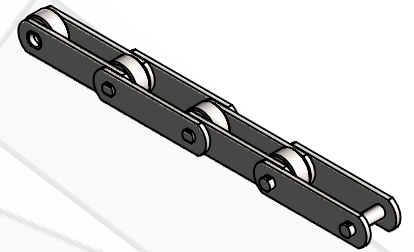
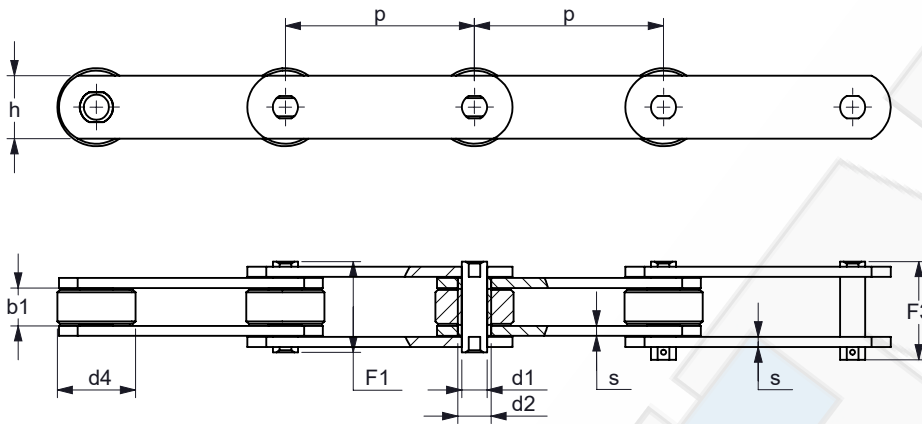


**TRANSPORTKETTINGEN
CONVEYOR CHAINS
FÖRDERKETTEN
CHAÎNES DE MANUTENTION**

Werknorm
Works' standard



Optioneel diverse coatings
Additional several coatings

Optioneel roestvast staal (breuksterkte op aanvraag)
Additional stainless steel (tensile strenght on request)

Type B

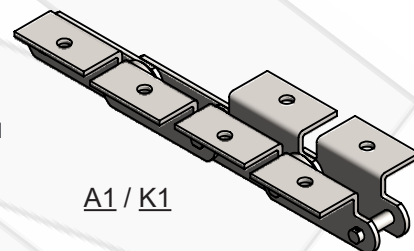
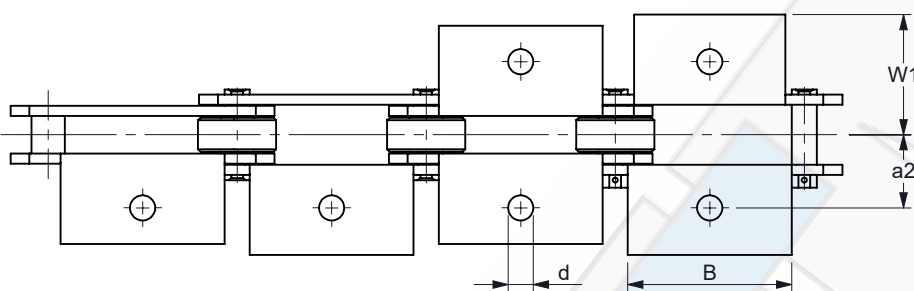
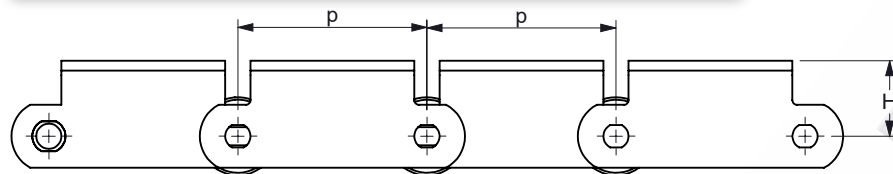
K.T.N. Number	b1 min. [mm]	d1 max. [mm]	d2 max. [mm]	d4 max. [mm]	F1 max. [mm]	F3 max. [mm]	h [mm]	s [mm]	f [cm ²]	Surface pressure [N/cm ²]	Fb min. [kN]
(p) / 11,5 / 25 / KE <i>Beschikbaar in steek (p) / Available in pitch (p)</i>	11,5	8,0	11,0	25	28	31,0	20	3,0	1,27	3953	30
				50							
(p) / 15 / 31 / KE <i>Beschikbaar in steek (p) / Available in pitch (p)</i>	15,0	10,0	13,2	31	36	39,0	25	4,0	1,98	3788	45
				50 / 75 / 100 / 125 / 150							
(p) / 22 / 40 / KE <i>Beschikbaar in steek (p) / Available in pitch (p)</i>	22,0	12,0	17,0	40	43	46,5	35	4,0	3,74	3343	75
				75 / 100 / 125 / 150							

Afwijkende steekmaten op aanvraag
Different pitch dimensions on request

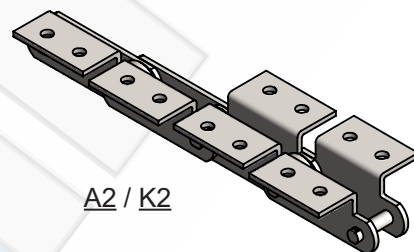
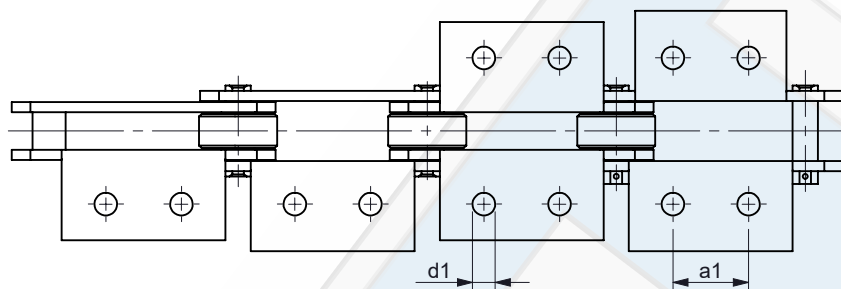
Kettingwielen op aanvraag
Sprockets on request

**MEENEMERS TRANSPORTKETINGEN
ATTACHMENTS CONVEYOR CHAINS
MITNEHMER FÖRDERKETTEN
ATTACHES CHAÎNES DE MANUTENTION**

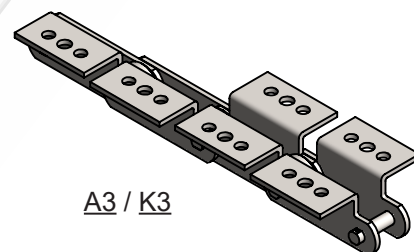
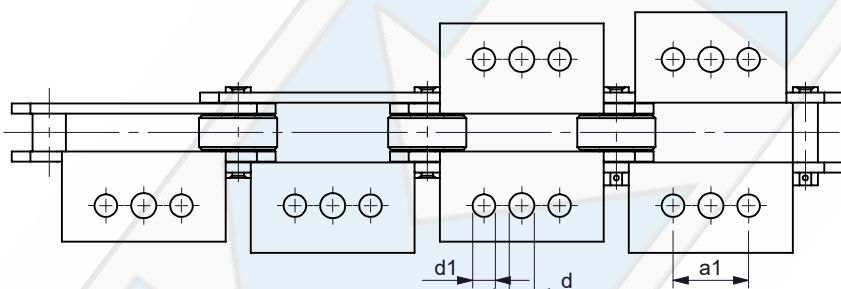
Werknorm
Works' standard



A1 / K1



A2 / K2



A3 / K3

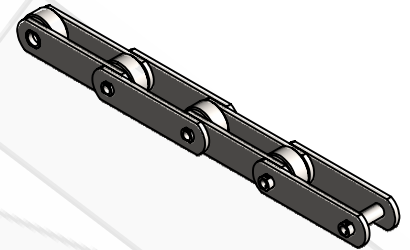
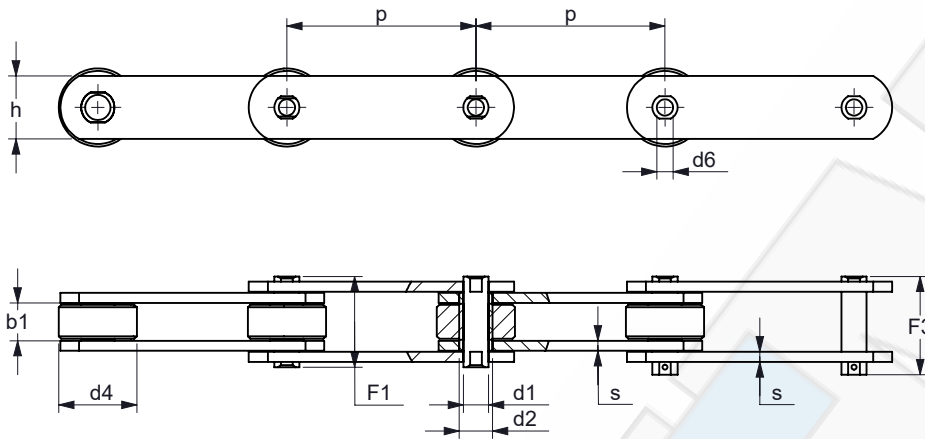
K.T.N. Number	p [mm]	a1 [mm]	B [mm]	a2 [mm]	d [mm]	d1 [mm]	H [mm]	W1 max. [mm]
50 / 11,5 / 25 / KE	50	•	40	23	6,5	•	24,0	38,0
50 / 15 / 31 / KE	50	25	45	32	10,0	8,5	35,0	48,5
75 / 15 / 31 / KE	75	30	60	29	10,0	9,0	30,0	44,5
100 / 15 / 31 / KE	100	35	70	32	10,0	9,0	35,0	48,5
125 / 15 / 31 / KE	125	35	70	32	10,0	9,0	35,0	56,0
150 / 15 / 31 / KE	150	50	100	32	10,0	9,0	35,0	56,0
75 / 15 / 31 / KE	75	25	50	38	10,0	9,0	26,0	73,0
100 / 15 / 31 / KE	100	35	70	38	10,0	9,0	40,0	58,0
125 / 15 / 31 / KE	125	70	100	40	10,0	9,0	26,0	62,5
150 / 15 / 31 / KE	150	50	100	40	10,0	9,0	26,0	56,5

Afwijkende steekmaten op aanvraag
Different pitch dimensions on request

- 1 Bevestigingsgat
- 1 Mounting hole

HOLLEBOUTKETINGEN
HOLLOW PIN CHAINS
HOHLBOLZENKETTEN
CHAÎNES À AXES CREUX

Werknorm
 Works' standard



Optioneel diverse coatings
 Additional several coatings

Optioneel roestvast staal (breuksterkte op aanvraag)
 Additional stainless steel (tensile strenght on request)

Type B

K.T.N. Number	b1 min. [mm]	d1 max. [mm]	d2 max. [mm]	d4 max. [mm]	d6 max. [mm]	F1 max. [mm]	F3 max. [mm]	h [mm]	s [mm]	f [cm ²]	Surface pressure [N/cm ²]	Fb min. [kN]
(p) / 11,5 / 25 / KE / HP	11,5	9,0	11,0	25	6,2	25	26,5	20	2,5	1,27	3294	25
Beschikbaar in steek (p) / Available in pitch (p)					50							
(p) / 15 / 31 / KE / HP	15,0	14,0	17,0	31	10,2	35	36,0	25	4,0	2,55	2615	40
Beschikbaar in steek (p) / Available in pitch (p)					50 / 75 / 100 / 125 / 150							
(p) / 22 / 40 / KE / HP	22,0	18,0	23,0	40	12,2	45	46,0	35	4,0	5,06	1977	60
Beschikbaar in steek (p) / Available in pitch (p)					75 / 100 / 125 / 150							

Afwijkende steekmaten op aanvraag
 Different pitch dimensions on request

Kettingwielen op aanvraag
 Sprockets on request