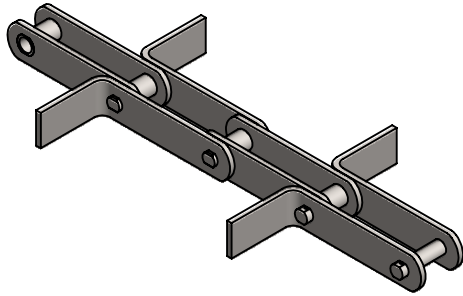
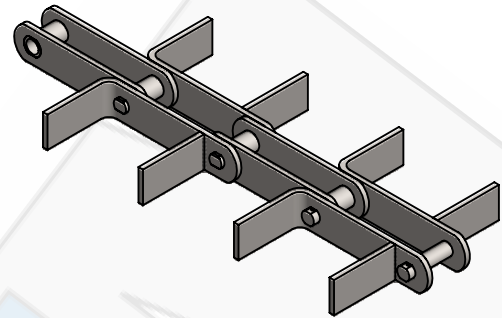


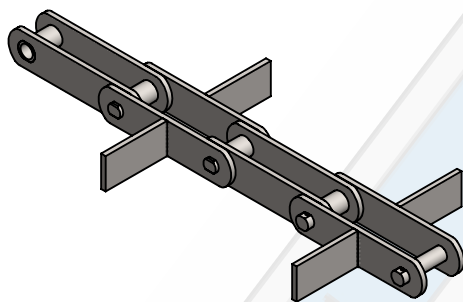
SCHRAPERKETTINGEN
SCRAPER CONVEYOR CHAINS
KRATZER-FÖRDERKETTEN
CHAÎNES À RACLETTES



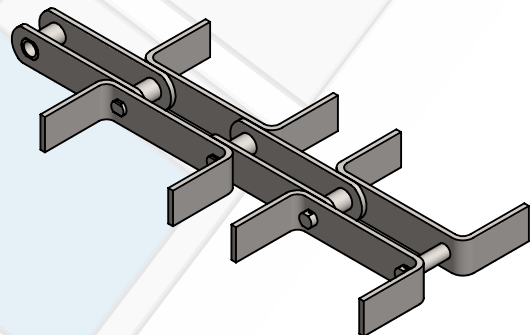
TYPE A



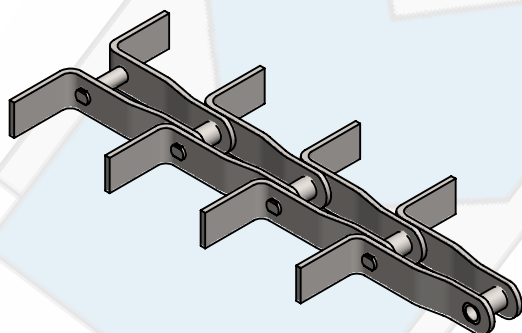
TYPE B



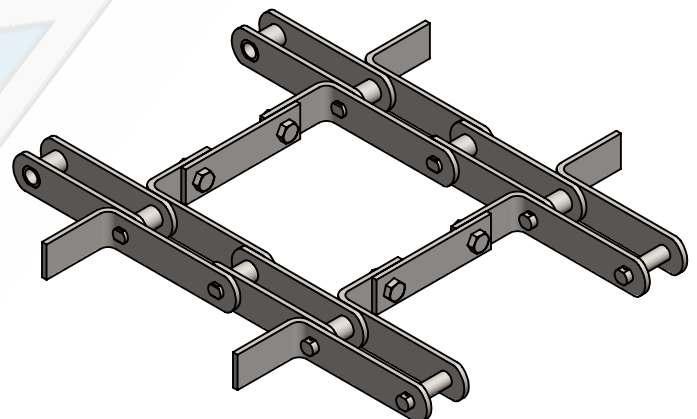
TYPE C



TYPE D



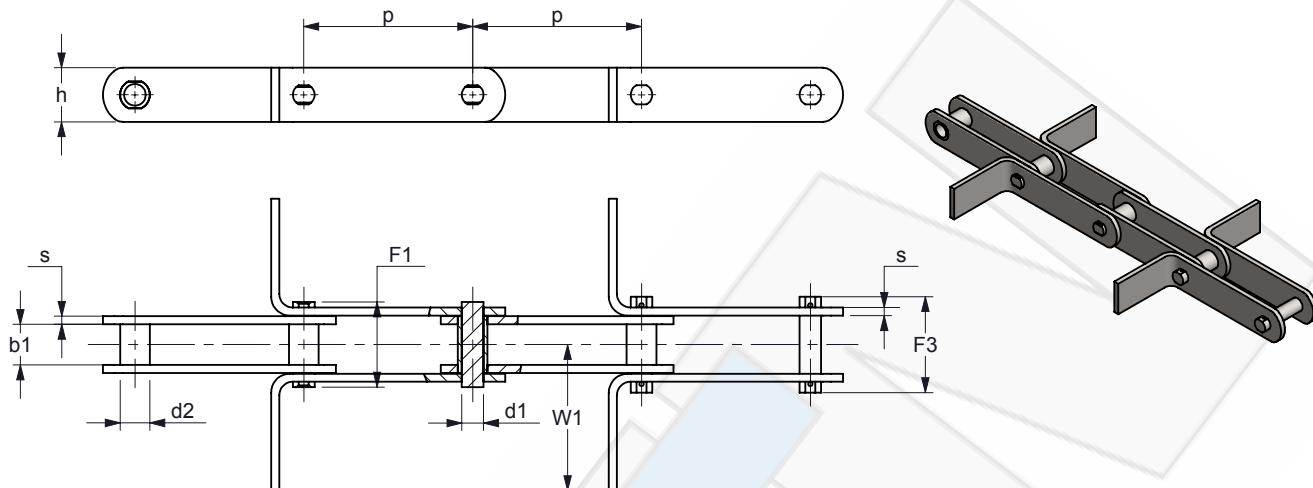
TYPE E



TYPE F

SCHRAPERKETINGEN TF SERIE
SCRAPER CONVEYOR CHAINS TF SERIES
KRATZER-FÖRDERKETTEN TF SERIE
CHAÎNES À RACLETTES SÉRIE TF

Europese norm vlg. DIN 8165
 European standard acc. to DIN 8165



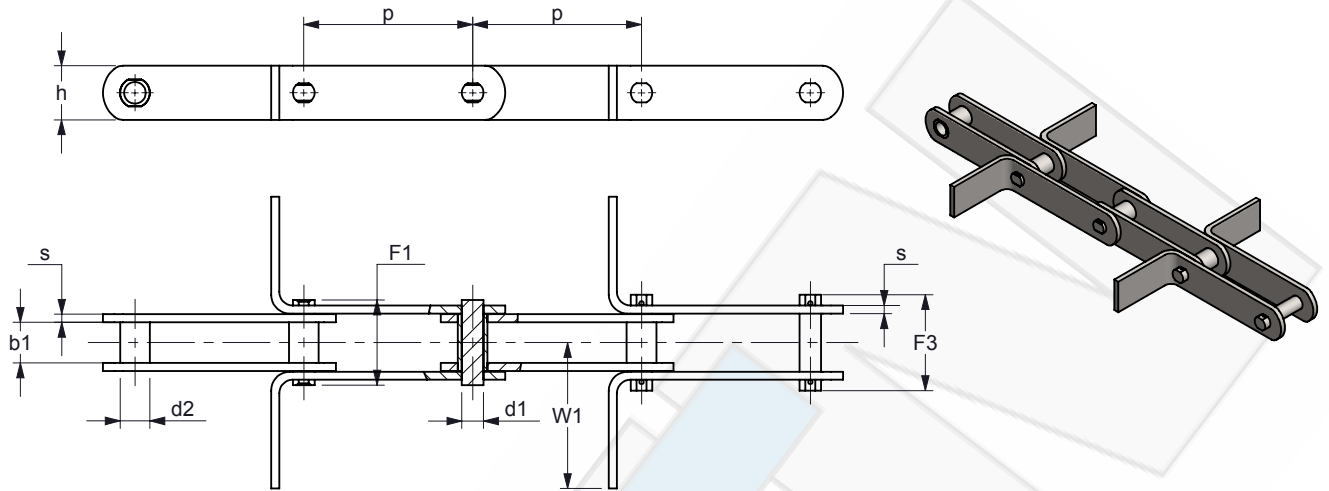
| K.T.N. Number | b1 min. [mm] | d1 max. [mm] | d2 max. [mm] | F3 max. [mm] | h [mm] | s [mm] | W1 max. [mm] | f [cm ²] | Fb min. [kN] |
|--|--------------|--------------|--------------|--------------|--|--------|--------------|----------------------|--------------|
| TF 40 <i>Beschikbaar in steek (p) / Available in pitch (p)</i> | 18 | 10 | 15 | 44 | 26 | 3 | 60 | 2,5 | 40 |
| | | | | | <i>40 / 50 / 63 / 80 / 100 / 125 / 160</i> | | | | |
| TF 63 <i>Beschikbaar in steek (p) / Available in pitch (p)</i> | 22 | 12 | 18 | 55 | 30 | 4 | 75 | 3,7 | 63 |
| | | | | | <i>63 / 80 / 100 / 125 / 160 / 200</i> | | | | |
| TF 90 <i>Beschikbaar in steek (p) / Available in pitch (p)</i> | 25 | 14 | 20 | 62 | 35 | 5 | 95 | 5,0 | 90 |
| | | | | | <i>63 / 80 / 100 / 125 / 160 / 200 / 250</i> | | | | |
| TF 112 <i>Beschikbaar in steek (p) / Available in pitch (p)</i> | 30 | 16 | 22 | 72 | 40 | 6 | 108 | 6,8 | 112 |
| | | | | | <i>100 / 125 / 160 / 200 / 250</i> | | | | |
| TF 140 <i>Beschikbaar in steek (p) / Available in pitch (p)</i> | 35 | 18 | 26 | 80 | 45 | 6 | 120 | 8,6 | 140 |
| | | | | | <i>100 / 125 / 160 / 200 / 250 / 315</i> | | | | |
| TF 180 <i>Beschikbaar in steek (p) / Available in pitch (p)</i> | 45 | 20 | 30 | 100 | 50 | 8 | 125 | 12,3 | 180 |
| | | | | | <i>100 / 125 / 160 / 200 / 250 / 315 / 400</i> | | | | |
| TF 250 <i>Beschikbaar in steek (p) / Available in pitch (p)</i> | 55 | 26 | 36 | 114 | 60 | 8 | 133 | 18,7 | 250 |
| | | | | | <i>100 / 125 / 160 / 200 / 250 / 315 / 400</i> | | | | |
| TF 315 <i>Beschikbaar in steek (p) / Available in pitch (p)</i> | 65 | 30 | 42 | 133 | 70 | 10 | 158 | 25,8 | 315 |
| | | | | | <i>100 / 125 / 160 / 200 / 250 / 315 / 400 / 500</i> | | | | |

Afwijkende steekmaten op aanvraag
 Different pitch dimensions on request

Kettingwielen op aanvraag
 Sprockets on request

SCHRAPERKETINGEN TM SERIE
SCRAPER CONVEYOR CHAINS TM SERIES
KRATZER-FÖRDERKETTEN TM SERIE
CHAÎNES À RACLETTES SÉRIE TM

Europese norm vlg. DIN 8167 / ISO 1977
 European standard acc. to DIN 8167 / ISO 1977



| K.T.N. Number | b1 min. [mm] | d1 max. [mm] | d2 max. [mm] | F3 max. [mm] | h [mm] | s [mm] | W1 max. [mm] | f [cm ²] | Fb min. [kN] |
|--|--------------|--------------|--------------|--------------|--|--------|--------------|----------------------|--------------|
| TM 40 <i>Beschikbaar in steek (p) / Available in pitch (p)</i> | 20 | 8,5 | 12,5 | 47,5 | 25 <i>63 / 80 / 100 / 125 / 160 / 200 / 250</i> | 3,5 | 82 | 2,30 | 40 |
| TM 56 <i>Beschikbaar in steek (p) / Available in pitch (p)</i> | 24 | 10,0 | 15,0 | 56,5 | 30 <i>63 / 80 / 100 / 125 / 160 / 200 / 250</i> | 4,0 | 95 | 3,20 | 56 |
| TM 80 <i>Beschikbaar in steek (p) / Available in pitch (p)</i> | 28 | 12,0 | 18,0 | 64,5 | 35 <i>80 / 100 / 125 / 160 / 200 / 250 / 315</i> | 5,0 | 108 | 4,58 | 80 |
| TM 112 <i>Beschikbaar in steek (p) / Available in pitch (p)</i> | 32 | 15,0 | 21,0 | 75,5 | 40 <i>80 / 100 / 125 / 160 / 200 / 250 / 315 / 400</i> | 6,0 | 120 | 6,63 | 112 |
| TM 160 <i>Beschikbaar in steek (p) / Available in pitch (p)</i> | 37 | 18,0 | 25,0 | 88,5 | 50 <i>100 / 125 / 160 / 200 / 250 / 315 / 400 / 500</i> | 7,0 | 133 | 9,22 | 160 |
| TM 224 <i>Beschikbaar in steek (p) / Available in pitch (p)</i> | 43 | 21,0 | 30,0 | 99,5 | 60 <i>125 / 160 / 200 / 250 / 315 / 400 / 500</i> | 8,0 | 158 | 12,47 | 224 |

Afwijkende steekmaten op aanvraag
 Different pitch dimensions on request

Kettingwielen op aanvraag
 Sprockets on request