

TRANSPORTKETINGEN Z SERIE
CONVEYOR CHAINS Z SERIES
FÖRDERKETTEN Z SERIE
CHAÎNES DE MANUTENTION SÉRIE Z

Britse standaard (BS)
 British standard (BS)



Optioneel diverse coatings
 Additional several coatings

Optioneel roestvast staal (breuksterkte op aanvraag)
 Additional stainless steel (tensile strenght on request)

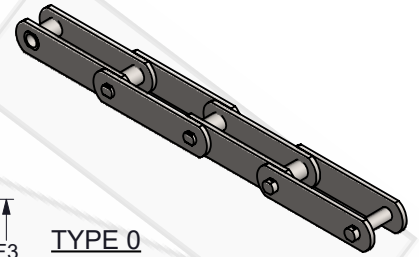
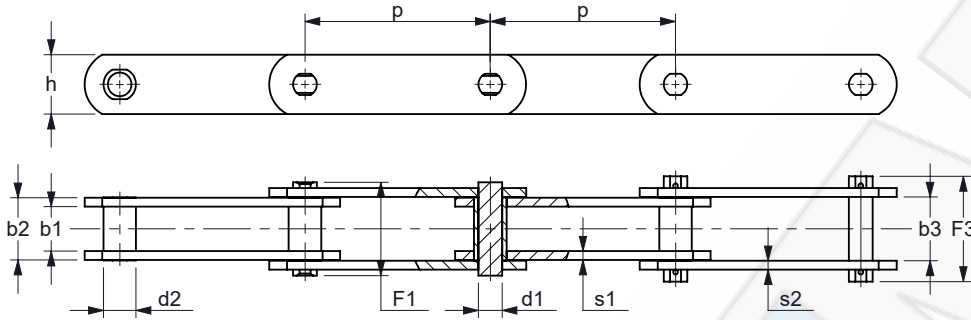
K.T.N. Number	b1 min. [mm]	d1 max. [mm]	Type 0	Type B	Type D	e1 max. [mm]	F1 max. [mm]	F3 max. [mm]	h [mm]	s1 [mm]	s2 [mm]	f [cm ²]	Fb min. [kN]
			d2 max. [mm]	d4 max. [mm]	d41/d5 max. [mm]								
Z 40 <i>Beschikbaar in steek (p) / Available in pitch (p)</i>	15,0	14,0	18,0	31,8	31,8 / 40	3,7	38,0	42	25	4	4	3,3	33
					<i>2" / 2,5" / 3" / 3,5" / 4" / 5" / 6" / 7,5" / 100 / 125</i>								
Z 60 <i>Beschikbaar in steek (p) / Available in pitch (p)</i>	19,0	19,0	23,6	47,6	47,6 / 60	5,1	46,2	56	40	5	4	5,5	67
					<i>3" / 3,5" / 4" / 5" / 6" / 7" / 8" / 100 / 125 / 150</i>								
Z 160 <i>Beschikbaar in steek (p) / Available in pitch (p)</i>	25,4	27,0	33,0	66,7	66,7 / 85	6,0	58,0	66	50	7	5	10,0	134
					<i>4" / 5" / 6" / 7" / 8" / 9" / 10" / 12" / 100 / 125 / 150</i>								
Z 300 <i>Beschikbaar in steek (p) / Available in pitch (p)</i>	38,0	31,7	38,1	88,9	88,9 / 113	10,0	82,0	108	60	10	8	13,4	200
					<i>6" / 7" / 7,5" / 8" / 9" / 10" / 12"</i>								

Afwijkende steekmaten op aanvraag
 Different pitch dimensions on request

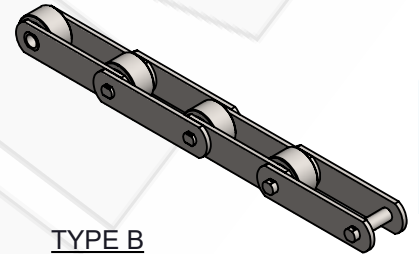
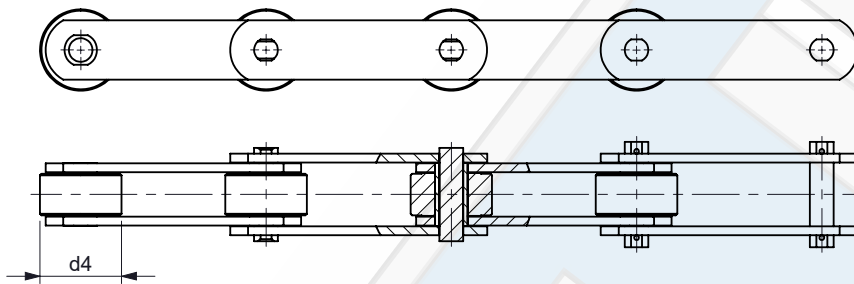
Kettingwielen op aanvraag
 Sprockets on request

TRANSPORTKETTINGEN Z SERIE
CONVEYOR CHAINS Z SERIES
FÖRDERKETTEN Z SERIE
CHAÎNES DE MANUTENTION SÉRIE Z

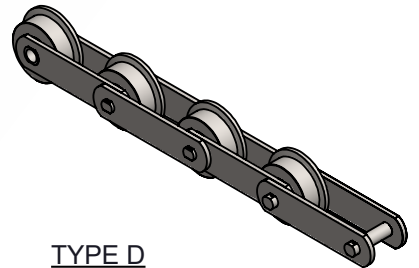
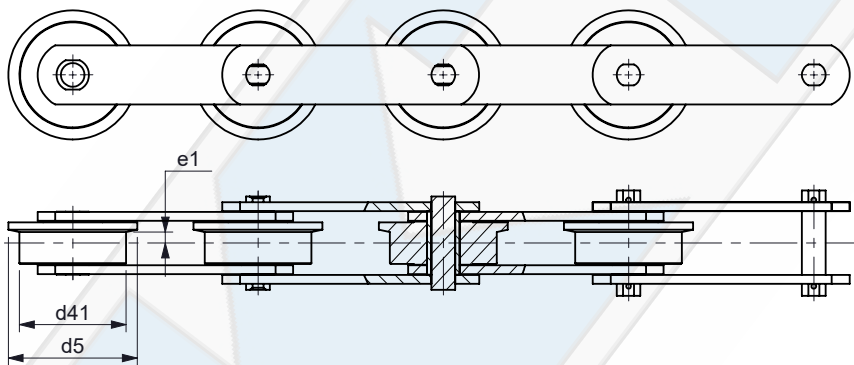
Britse standaard (BS)
 British standard (BS)



TYPE 0
 Zonder rol
 Without roller



TYPE B
 Met looprol
 With large roller



TYPE D
 Met flensrol
 With flanged roller

HOLLEBOUTKETINGEN ZC SERIE
HOLLOW PIN CHAINS ZC SERIES
HOHLBOLZENKETTEN ZC SERIE
CHAÎNES À AXES CREUX SÉRIE ZC

Britse standaard (BS)
 British standard (BS)



Optioneel diverse coatings
 Additional several coatings

Optioneel roestvast staal (breuksterkte op aanvraag)
 Additional stainless steel (tensile strenght on request)

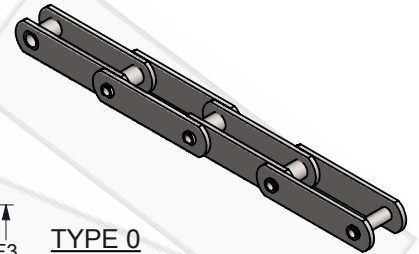
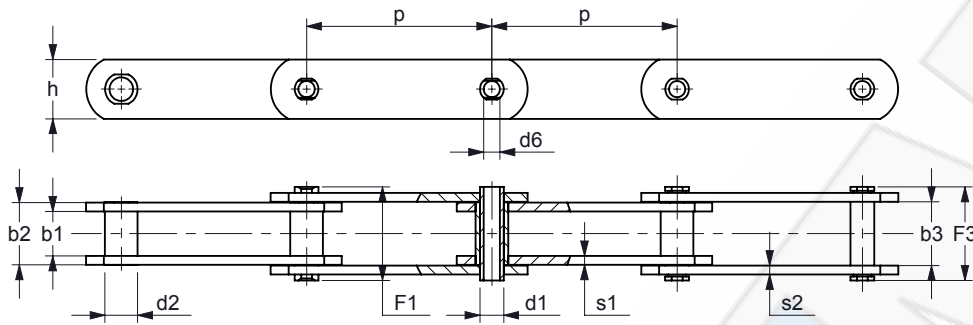
K.T.N. Number	b1 min. [mm]	d1 max. [mm]	Type 0		Type B		Type D		F1 max. [mm]	F3 max. [mm]	h [mm]	s1 [mm]	s2 [mm]	f [cm ²]	Fb min. [kN]
			d2 max. [mm]	d4 max. [mm]	d41/d5 max. [mm]	d6 min. [mm]	e1 max. [mm]								
ZC 21	12,7	9,0	11,0	25,4	-	6,5	-	26,0	27,5	18	2,5	2,5	2,0	21	
<i>Beschikbaar in steek (p) / Available in pitch (p) 1,5" / 2" / 2,5" / 3"</i>															
ZC 40	15,0	14,0	18,0	31,8	31,8 / 40	10,1	3,7	38,0	42,0	25	4,0	4,0	3,3	27	
<i>Beschikbaar in steek (p) / Available in pitch (p) 2" / 2,5" / 3" / 3,5" / 4" / 5" / 6" / 75 / 100 / 125</i>															
ZC 60	19,0	19,0	23,6	47,6	47,6 / 60	13,2	5,1	46,2	56,0	40	5,0	4,0	5,5	54	
<i>Beschikbaar in steek (p) / Available in pitch (p) 3" / 3,5" / 4" / 5" / 6" / 7" / 8" / 100 / 125 / 150</i>															
ZC 150	25,4	27,0	33,0	66,7	66,7 / 85	20,1	6,0	58,0	66,0	50	7,0	5,0	10,0	107	
<i>Beschikbaar in steek (p) / Available in pitch (p) 4" / 5" / 6" / 7" / 8" / 9" / 10" / 12" / 100 / 125 / 150</i>															
ZC 300	38,0	31,7	38,1	88,9	88,9 / 113	23,0	10,0	82,0	108,0	60	10,0	8,0	13,4	160	
<i>Beschikbaar in steek (p) / Available in pitch (p) 6" / 7" / 7,5" / 8" / 9" / 10" / 12"</i>															

Afwijkende steekmaten op aanvraag
 Different pitch dimensions on request

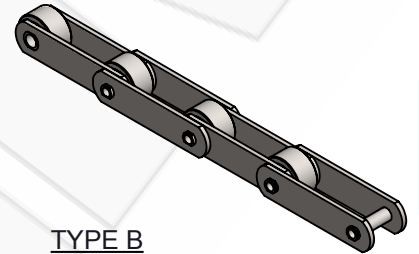
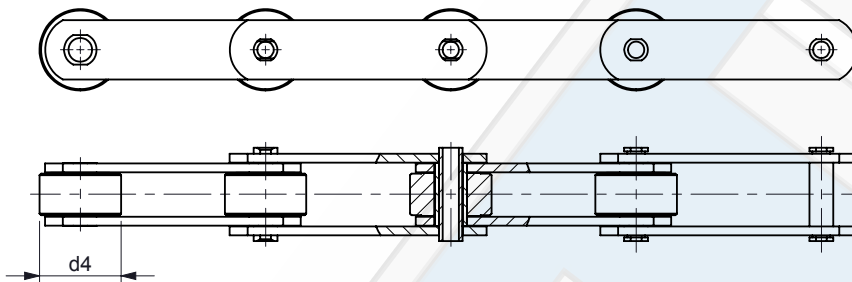
Kettingwielen op aanvraag
 Sprockets on request

HOLLEBOUTKETINGEN ZC SERIE
HOLLOW PIN CHAINS ZC SERIES
HOHLBOLZENKETTEN ZC SERIE
CHAÎNES À AXES CREUX SÉRIE ZC

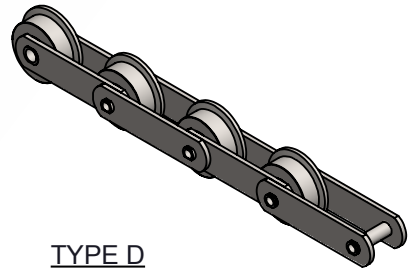
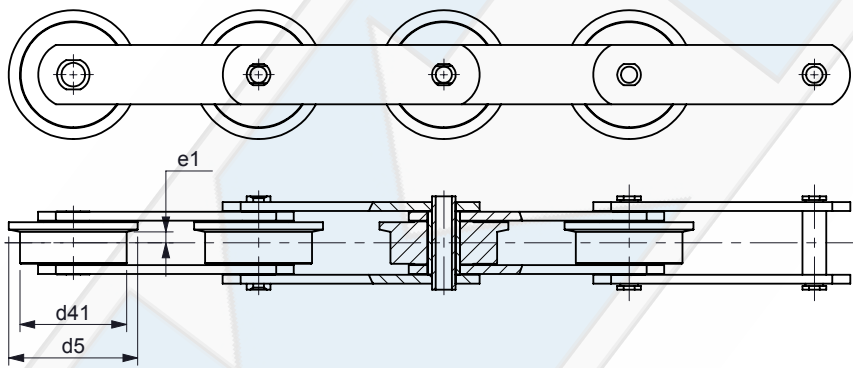
Britse standaard (BS)
 British standard (BS)



TYPE 0
 Zonder rol
 Without roller



TYPE B
 Met looprol
 With large roller



TYPE D
 Met flensrol
 With flanged roller