

**TRANSPORTKETINGEN M SERIE**  
**CONVEYOR CHAINS M SERIES**  
**FÖRDERKETTEN M SERIE**  
**CHAÎNES DE MANUTENTION SÉRIE M**

Europese norm vlg. DIN 8167 / ISO 1977  
 European standard acc. to DIN 8167 / ISO 1977



Optioneel diverse coatings  
 Additional several coatings

Optioneel roestvast staal (breuksterkte op aanvraag)  
 Additional stainless steel (tensile strenght on request)

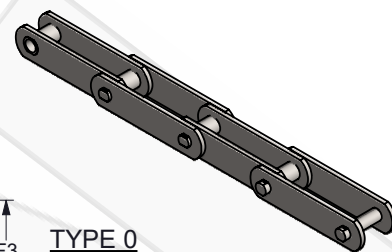
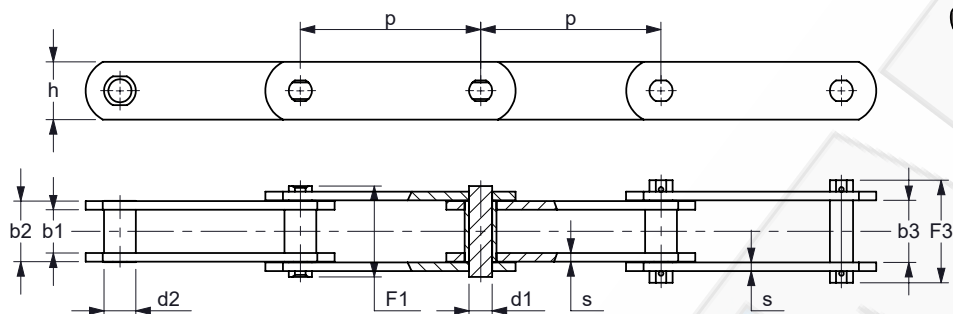
K.T.N. Number	b1 min. [mm]	b2 max. [mm]	b3 min. [mm]	d1 max. [mm]	Type 0	Type A	Type B	Type D	e1 max. [mm]	F1 max. [mm]	F3 max. [mm]	h [mm]	s [mm]	f [cm <sup>2</sup> ]	Surface pressure [N/cm <sup>2</sup> ]	Fb min. [kN]
					d2 max. [mm]	d3 max. [mm]	d4 max. [mm]	d41/d5 max. [mm]								
M 20	16	22	22,2	6,0	9	12,5	25	25 / 30	4,0	35	49	18	2,5	1,32	2160	20
<i>Beschikbaar in steek (p) / Available in pitch (p)</i>																
M 28	18	25	25,2	7,0	10	15,0	30	30 / 36	4,5	40	56	20	3,0	1,75	2290	28
<i>Beschikbaar in steek (p) / Available in pitch (p)</i>																
M 40	20	28	28,3	8,5	12,5	18,0	36	36 / 42	4,5	45	63	25	3,5	2,38	2400	40
<i>Beschikbaar in steek (p) / Available in pitch (p)</i>																
M 56	24	33	33,3	10,0	15	21,0	42	42 / 50	6,0	52	72	30	4,0	3,30	2430	56
<i>Beschikbaar in steek (p) / Available in pitch (p)</i>																
M 80	28	39	39,4	12,0	18	25,0	50	50 / 60	7,0	62	86	35	5,0	4,68	2440	80
<i>Beschikbaar in steek (p) / Available in pitch (p)</i>																
M 112	32	45	45,5	15,0	21	30,0	60	60 / 70	7,5	73	101	40	6,0	6,75	2370	112
<i>Beschikbaar in steek (p) / Available in pitch (p)</i>																
M 160	37	52	52,5	18,0	25	36,0	70	70 / 85	8,5	85	117	50	7,0	9,36	2440	160
<i>Beschikbaar in steek (p) / Available in pitch (p)</i>																
M 224	43	60	60,6	21,0	30	42,0	85	85 / 100	10,0	98	134	60	8,0	12,60	2540	224
<i>Beschikbaar in steek (p) / Available in pitch (p)</i>																
M 315	48	70	70,7	25,0	36	50,0	100	100 / 120	10,5	112	154	70	10,0	17,50	2570	315
<i>Beschikbaar in steek (p) / Available in pitch (p)</i>																
M 450	56	82	82,8	30,0	42	60,0	120	120 / 140	11,5	135	185	80	12,0	24,60	2620	450
<i>Beschikbaar in steek (p) / Available in pitch (p)</i>																
M 630	66	96	97,0	36,0	50	70,0	140	140 / 170	14,5	154	214	100	14,0	34,56	2610	630
<i>Beschikbaar in steek (p) / Available in pitch (p)</i>																
M 900	78	112	113,0	44,0	60	85,0	170	170 / 210	17,0	180	254	120	16,0	49,28	2610	900
<i>Beschikbaar in steek (p) / Available in pitch (p)</i>																

Afwijkende steekmaten op aanvraag  
 Different pitch dimensions on request

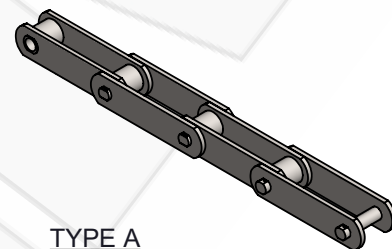
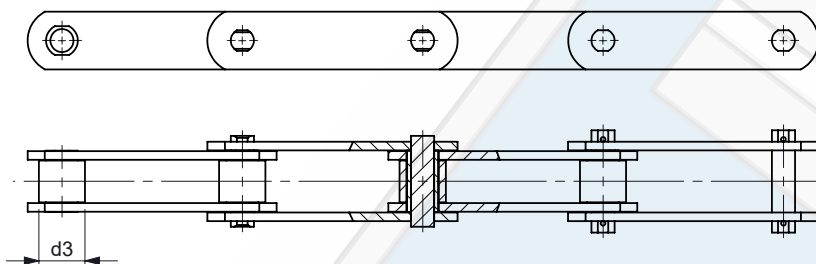
Kettingwielen op aanvraag  
 Sprockets on request

**TRANSPORTKETINGEN M SERIE**  
**CONVEYOR CHAINS M SERIES**  
**FÖRDERKETTEN M SERIE**  
**CHAÎNES DE MANUTENTION SÉRIE M**

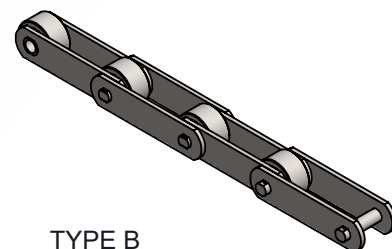
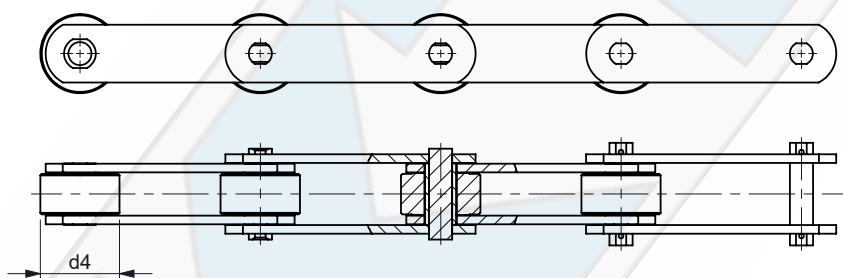
Europese norm vlgs. DIN 8167 / ISO 1977  
 European standard acc. to DIN 8167 / ISO 1977



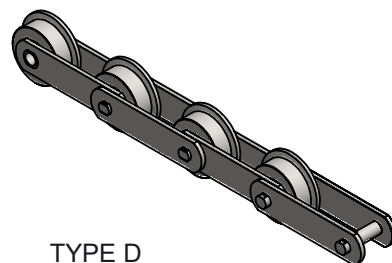
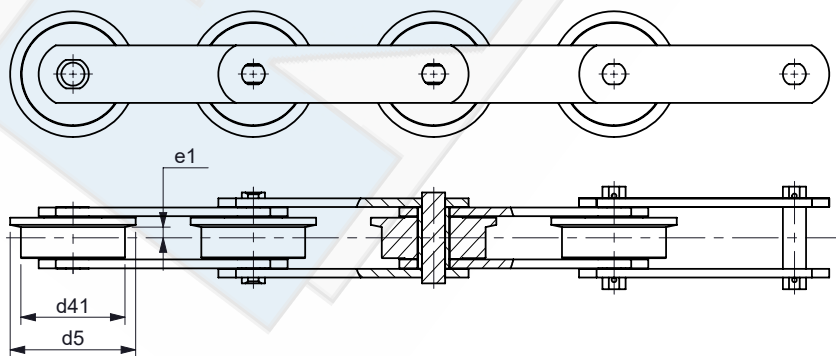
**TYPE 0**  
 Zonder rol  
 Without roller



**TYPE A**  
 Met rol  
 With roller



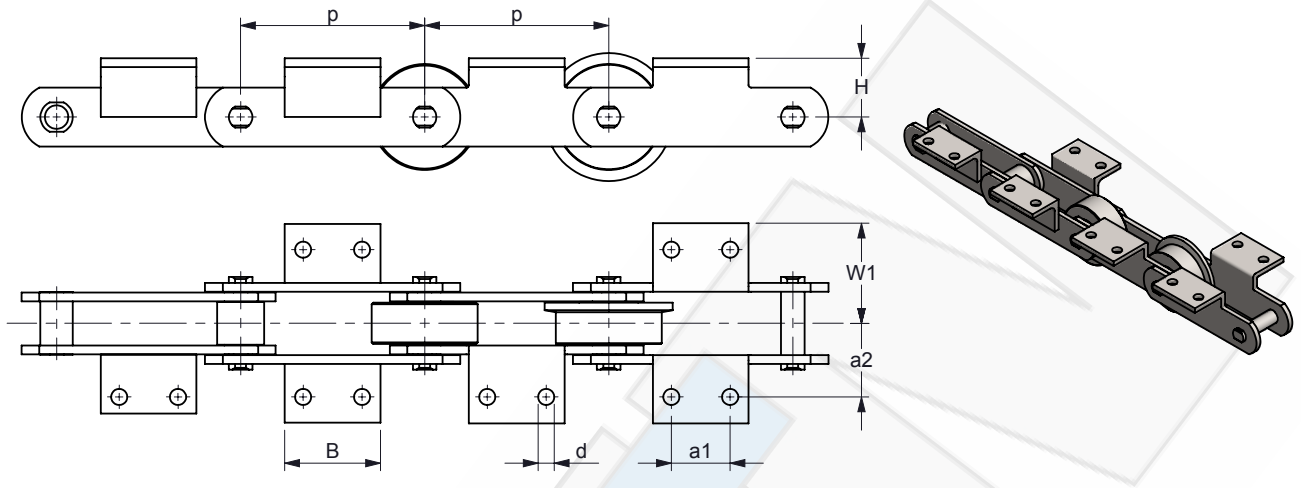
**TYPE B**  
 Met looprol  
 With large roller



**TYPE D**  
 Met flensrol  
 With flanged roller

**MEENEMERS M SERIE**  
**ATTACHMENTS M SERIES**  
**MITNEHMER FÜR M SERIE**  
**ATTACHES DE CHÂÎNES SÉRIE M**

Europese norm vlgs. DIN 8167 / ISO 1977  
 European standard acc. to DIN 8167 / ISO 1977



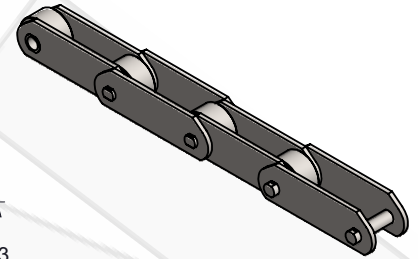
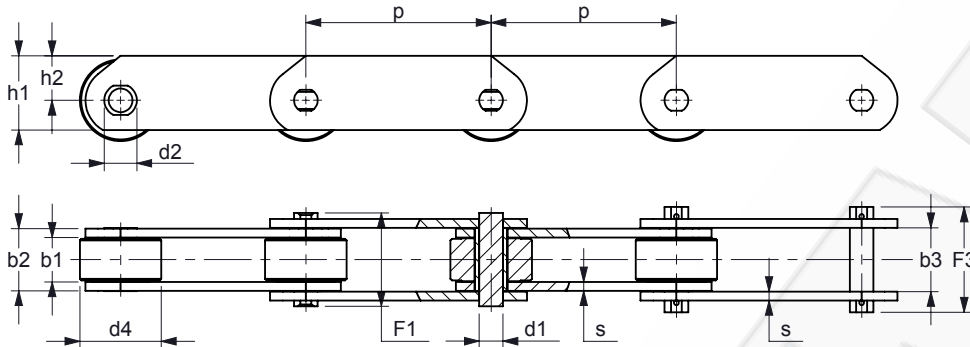
K.T.N. Number										a2	d	H	W1	Hoeklijn
										[mm]	[mm]	[mm]	max. [mm]	[mm]
M 20	p [mm]	40*	50*	63	80	100	125	160	-	27	6,6	16	42	25 x 25 x 3
	a1 [mm]	•	•	20	35	50	50	50	-					
	B [mm]	14	14	35	50	65	65	65	-					
M 28	p [mm]	50*	63*	80	100	125	160	200	-	32	9,0	20	50	20 x 30 x 3
	a1 [mm]	•	•	25	40	65	65	65	-					
	B [mm]	20	20	45	60	85	85	85	-					
M 40	p [mm]	63*	80	100	125	160	200	250	-	35	9,0	25	56	30 x 30 x 3
	a1 [mm]	•	20	40	65	65	65	65	-					
	B [mm]	20	40	60	85	85	85	85	-					
M 56	p [mm]	63*	80*	100	125	160	200	250	-	44	11,0	30	70	40 x 40 x 4
	a1 [mm]	•	•	25	50	85	85	85	-					
	B [mm]	22	22	50	75	110	110	110	-					
M 80	p [mm]	80*	100*	125	160	200	250	315	-	48	11,0	35	80	40 x 40 x 4
	a1 [mm]	•	•	50	85	125	125	125	-					
	B [mm]	22	22	75	110	150	150	150	-					
M 112	p [mm]	80	100	125	160	200	250	315	400	55	14,0	40	92	50 x 50 x 6
	a1 [mm]	•	•	35	65	100	100	100	100					
	B [mm]	28	28	65	95	130	130	130	130					
M 160	p [mm]	100	125	160	200	250	315	400	500	62	14,0	45	100	50 x 50 x 6
	a1 [mm]	•	•	50	85	145	145	145	145					
	B [mm]	30	30	80	115	175	175	175	175					
M 224	p [mm]	125	160	200	250	315	400	500	630	70	18,0	55	114	60 x 60 x 8
	a1 [mm]	•	•	65	125	190	190	190	190					
	B [mm]	35	35	100	160	225	225	225	225					
M 315	p [mm]	160	200	250	315	400	500	630	-	80	18,0	65	125	70 x 70 x 9
	a1 [mm]	•	50	100	155	155	155	155	-					
	B [mm]	35	85	135	190	190	190	190	-					
M 450	p [mm]	200	250	315	400	500	630	800	-	90	18,0	75	140	70 x 70 x 9
	a1 [mm]	•	85	155	240	240	240	240	-					
	B [mm]	40	125	195	280	280	280	280	-					
M 630	p [mm]	250	315	400	500	630	800	1000	-	115	24,0	90	190	100 x 100 x 12
	a1 [mm]	•	100	190	300	300	300	300	-					
	B [mm]	50	150	240	350	350	350	350	-					

\* Hoeklijn omgebogen  
 \* Bent diagonal

• 1 Bevestigingsgat  
 • 1 Mounting hole

**DRAAGTRANSPORTKETTING MT SERIE**  
**DEEP LINK CONVEYOR CHAIN MT SERIES**  
**TRAGLASCHEN FÖRDERKETTE MT SERIE**  
**CHAÎNES DE MANUTENTION SÉRIE MT**

Europese norm vlg. DIN 8167 / ISO 1977  
 European standard acc. to DIN 8167 / ISO 1977



K.T.N. Number	b1 min. [mm]	b2 max. [mm]	b3 min. [mm]	d1 max. [mm]	d2 max. [mm]	d4 max. [mm]	F1 max. [mm]	F3 max. [mm]	h1 [mm]	h2 [mm]	s [mm]	f [cm <sup>2</sup> ]	Surface pressure [N/cm <sup>2</sup> ]	Fb min. [kN]
MT 20 <i>Beschikbaar in steek (p) / Available in pitch (p)</i>	16	22	22,2	6,0	9	25	35	49	25	16,0	2,5	1,32	2160	20
						40 / 50 / 63 / 80 / 100 / 125 / 160								
MT 28 <i>Beschikbaar in steek (p) / Available in pitch (p)</i>	18	25	25,2	7,0	10	30	40	56	30	20,0	3,0	1,75	2290	28
						50 / 63 / 80 / 100 / 125 / 160 / 200								
MT 40 <i>Beschikbaar in steek (p) / Available in pitch (p)</i>	20	28	28,3	8,5	13	36	45	63	35	22,5	3,5	2,38	2400	40
						63 / 80 / 100 / 125 / 160 / 200 / 250								
MT 56 <i>Beschikbaar in steek (p) / Available in pitch (p)</i>	24	33	33,3	10,0	15	42	52	72	45	30,0	4,0	3,30	2430	56
						63 / 80 / 100 / 125 / 160 / 200 / 250								
MT 80 <i>Beschikbaar in steek (p) / Available in pitch (p)</i>	28	39	39,4	12,0	18	50	62	86	50	32,5	5,0	4,68	2440	80
						80 / 100 / 125 / 160 / 200 / 250 / 315								
MT 112 <i>Beschikbaar in steek (p) / Available in pitch (p)</i>	32	45	45,5	15,0	21	60	73	101	60	40,0	6,0	6,75	2370	112
						80 / 100 / 125 / 160 / 200 / 250 / 315 / 400								
MT 160 <i>Beschikbaar in steek (p) / Available in pitch (p)</i>	37	52	52,5	18,0	25	70	85	117	70	45,0	7,0	9,36	2440	160
						100 / 125 / 160 / 200 / 250 / 315 / 400 / 500								
MT 224 <i>Beschikbaar in steek (p) / Available in pitch (p)</i>	43	60	60,6	21,0	30	85	98	134	90	60,0	8,0	12,60	2540	224
						125 / 160 / 200 / 250 / 315 / 400 / 500 / 630								
MT 315 <i>Beschikbaar in steek (p) / Available in pitch (p)</i>	48	70	70,7	25,0	36	100	112	154	100	65,0	10,0	17,50	2570	315
						160 / 200 / 250 / 315 / 400 / 500 / 630								
MT 450 <i>Beschikbaar in steek (p) / Available in pitch (p)</i>	56	82	82,8	30,0	42	120	135	185	120	80,0	12,0	24,60	2620	450
						200 / 250 / 315 / 400 / 500 / 630 / 800								
MT 630 <i>Beschikbaar in steek (p) / Available in pitch (p)</i>	66	96	97,0	36,0	50	140	154	214	140	90,0	14,0	34,56	2610	630
						250 / 315 / 400 / 500 / 630 / 800 / 1000								

Afwijkende steekmaten op aanvraag  
 Different pitch dimensions on request

Kettingwielen op aanvraag  
 Sprockets on request

**HOLLEBOUTKETINGEN MC SERIE**  
**HOLLOW PIN CHAINS MC SERIES**  
**HOHLBOLZENKETTEN MC SERIE**  
**CHAÎNES À AXES CREUX SÉRIE MC**

Europese norm vlg. DIN 8168 / ISO 1977  
 European standard acc. to DIN 8168 / ISO 1977



Optioneel diverse coatings  
 Additional several coatings

Optioneel roestvast staal (breuksterkte op aanvraag)  
 Additional stainless steel (tensile strenght on request)

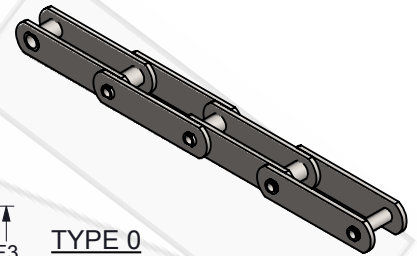
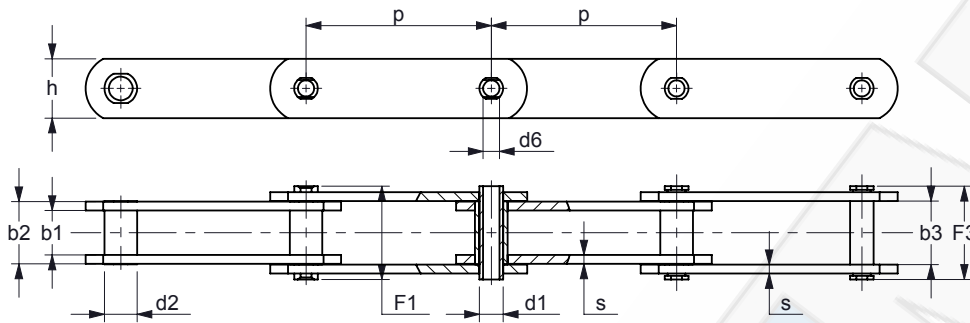
K.T.N. Number	b1		b2		b3		d1		d2		d3		d4		d41/d5		d6		e1		F1		F3		h		s		f		Surface pressure		Fb				
	min.	max.	min.	max.	min.	max.	min.	max.	min.	max.	min.	max.	min.	max.	min.	max.	min.	max.	min.	max.	min.	max.	min.	max.	min.	max.	min.	max.	min.	max.	min.	max.	min.	max.			
	[mm]	[mm]	[mm]	[mm]	[mm]	[mm]	[mm]	[mm]	[mm]	[mm]	[mm]	[mm]	[mm]	[mm]	[mm]	[mm]	[mm]	[mm]	[mm]	[mm]	[mm]	[mm]	[mm]	[mm]	[mm]	[mm]	[mm]	[mm]	[mm]	[mm]	[mm]	[mm]	[mm]	[mm]	[mm]	[mm]	[mm]
MC 28	20	28	28,3	13,0	17,5	25	36	36 / 42	8,2	4,5	42	47	25	3,5	3,64	1100	28																				
<i>Beschikbaar in steek (p) / Available in pitch (p)</i>																		63 / 80 / 100 / 125 / 160																			
MC 56	24	33	33,3	15,5	21,0	30	50	50 / 60	10,2	6,0	48	54	35	4,0	5,11	1560	56																				
<i>Beschikbaar in steek (p) / Available in pitch (p)</i>																		80 / 100 / 125 / 160 / 200 / 250																			
MC 112	32	45	45,5	22,0	29,0	42	70	70 / 85	14,3	7,5	67	73	50	6,0	9,90	1610	112																				
<i>Beschikbaar in steek (p) / Available in pitch (p)</i>																		100 / 125 / 160 / 200 / 250 / 315																			
MC 224	43	60	60,6	31,0	41,0	60	100	100 / 120	20,3	10,0	90	96	70	8,0	18,60	1720	224																				
<i>Beschikbaar in steek (p) / Available in pitch (p)</i>																		160 / 200 / 250 / 315 / 400 / 500																			

Afwijkende steekmaten op aanvraag  
 Different pitch dimensions on request

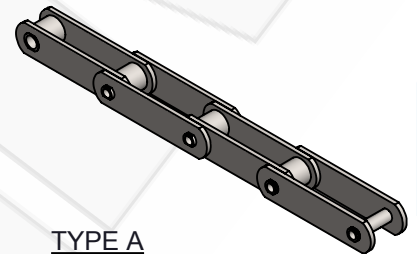
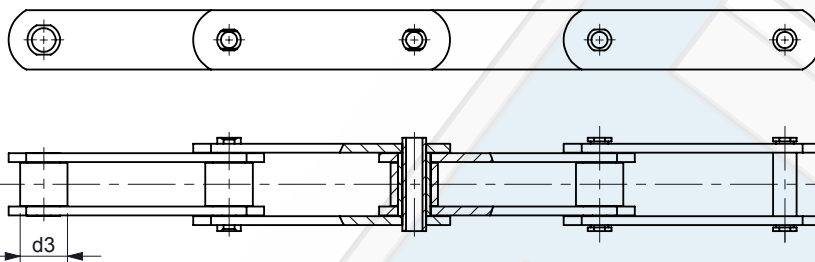
Kettingwielen op aanvraag  
 Sprockets on request

**HOLLEBOUTKETINGEN MC SERIE**  
**HOLLOW PIN CHAINS MC SERIES**  
**HOHLBOLZENKETTEN MC SERIE**  
**CHAÎNES À AXES CREUX SÉRIE MC**

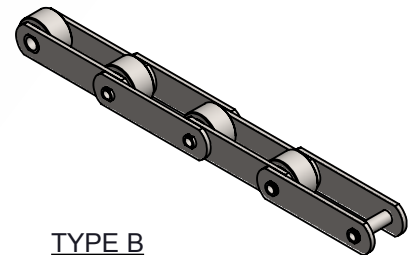
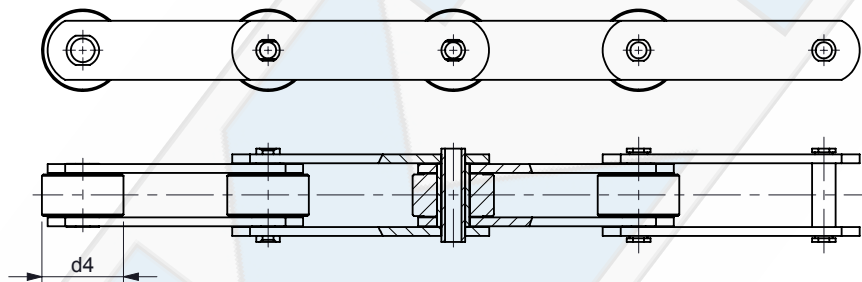
Europese norm vlgs. DIN 8168 / ISO 1977  
 European standard acc. to DIN 8168 / ISO 1977



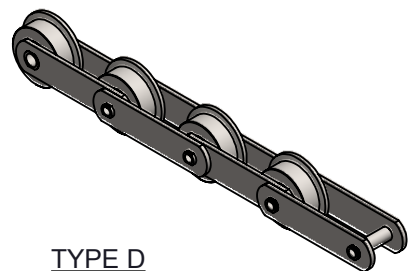
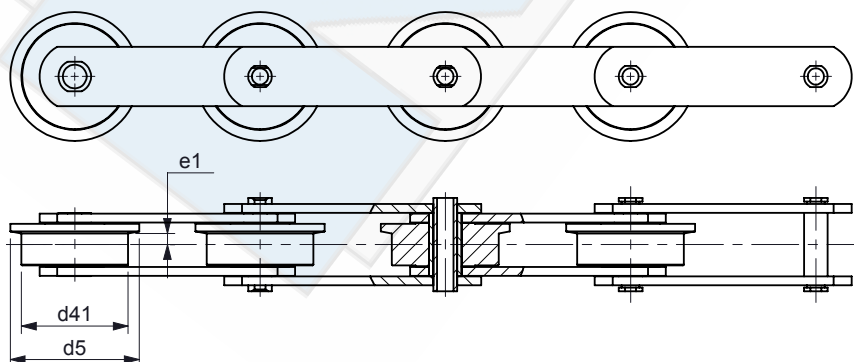
**TYPE 0**  
 Zonder rol  
 Without roller



**TYPE A**  
 Met rol  
 With roller



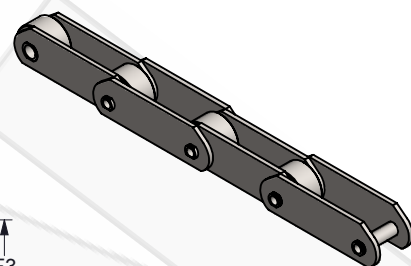
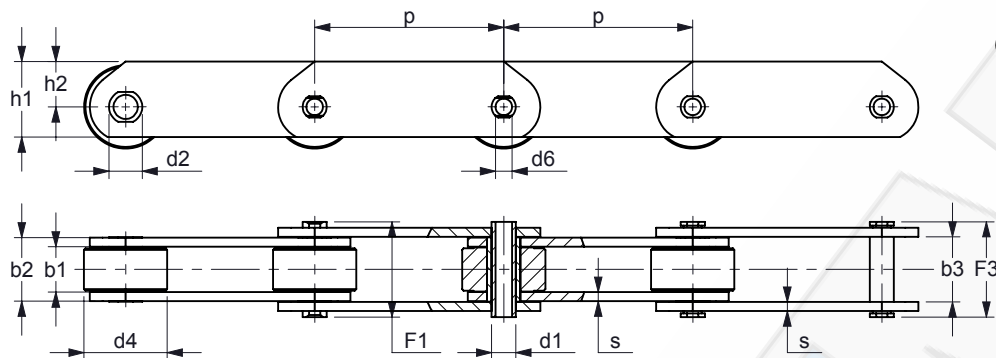
**TYPE B**  
 Met looprol  
 With large roller



**TYPE D**  
 Met flensrol  
 With flanged roller

**DRAAGTRANSPORTKETTING MCT SERIE**  
**DEEP LINK CONVEYOR CHAIN MCT SERIES**  
**TRAGGLASCHENFÖRDERKETTE MCT SERIE**  
**CHAÎNES DE MANUTENTION SÉRIE MCT**

Europese norm vlgs. DIN 8168 / ISO 1977  
 European standard acc. to DIN 8168 / ISO 1977



K.T.N. Number	b1 min. [mm]	b2 max. [mm]	b3 min. [mm]	d1 max. [mm]	d2 max. [mm]	d4 max. [mm]	d6 max. [mm]	F1 max. [mm]	F3 max. [mm]	h1 [mm]	h2 [mm]	s [mm]	f [cm <sup>2</sup> ]	Surface pressure [N/cm <sup>2</sup> ]	Fb min. [kN]
MCT 28 <i>Beschikbaar in steek (p) / Available in pitch (p)</i>	20	28	28,3	13,0	17,5	36	8,2	42,0	47,0	35	22,5	3,5	3,64	1100	28
							63 / 80 / 100 / 125 / 160								
MCT 56 <i>Beschikbaar in steek (p) / Available in pitch (p)</i>	24	33	33,3	15,5	21,0	50	10,2	48,0	54,0	50	32,5	4,0	5,11	1560	56
							80 / 100 / 125 / 160 / 200 / 250								
MCT 112 <i>Beschikbaar in steek (p) / Available in pitch (p)</i>	32	45	45,5	22,0	29,0	70	14,3	67,0	73,0	70	45,0	6,0	9,90	1610	112
							100 / 125 / 160 / 200 / 250 / 315								
MCT 224 <i>Beschikbaar in steek (p) / Available in pitch (p)</i>	43	60	60,6	31,0	41,0	100	20,3	90,0	96,0	100	65,0	8,0	18,60	1720	224
							160 / 200 / 250 / 315 / 400 / 500								

Afwijkende steekmaten op aanvraag  
 Different pitch dimensions on request

Kettingwielen op aanvraag  
 Sprockets on request