

TRANSPORTKETINGEN FV SERIE
CONVEYOR CHAINS FV SERIES
FÖRDERKETTEN FV SERIE
CHAÎNES DE MANUTENTION SÉRIE FV

Europese norm vlg. DIN 8165
 European standard acc. to DIN 8165



Optioneel diverse coatings
 Additional several coatings

Optioneel roestvast staal (breuksterkte op aanvraag)
 Additional stainless steel (tensile strenght on request)

* Flensrol d41/d5 niet mogelijk
 * Flanged roller d41/d5 not possible

Type 0
 Type A
 Type B
 Type D

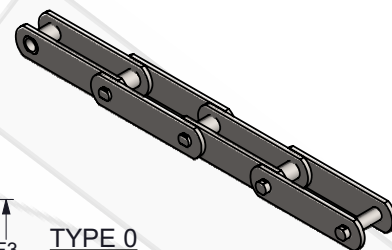
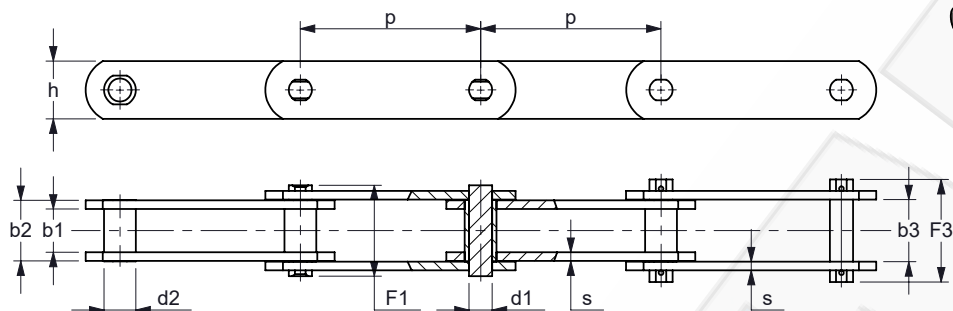
K.T.N. Number	b1 min. [mm]	b2 max. [mm]	b3 min. [mm]	d1 max. [mm]	d2 max. [mm]	d3 max. [mm]	d4 max. [mm]	d41/d5 max. [mm]	e1 max. [mm]	F1 max. [mm]	F3 max. [mm]	h [mm]	s [mm]	f [cm ²]	Surface pressure [N/cm ²]	Fb min. [kN]
FV 40	18	24,5	25,0	10	15	20	32	40 / 48	4	37	43	26	3	2,5	2680	40
								Beschikbaar in steek (p) / Available in pitch (p) 40* / 50* / 63 / 80 / 100 / 125 / 160								
FV 63	22	30,5	31,0	12	18	26	40	50 / 60	5	46	55	30	4	3,7	2840	63
								Beschikbaar in steek (p) / Available in pitch (p) 63* / 80 / 100 / 125 / 160 / 200								
FV 90	25	35,5	36,0	14	20	30	48	63 / 73	6,5	53	62	35	5	5,0	3000	90
								Beschikbaar in steek (p) / Available in pitch (p) 63* / 80 / 100 / 125 / 160 / 200 / 250								
FV 112	30	42,5	43,0	16	22	32	55	72 / 87	7,5	63	72	40	6	6,8	2750	112
								Beschikbaar in steek (p) / Available in pitch (p) 100 / 125 / 160 / 200 / 250								
FV 140	35	47,5	48,0	18	26	36	60	80 / 95	9	68	80	45	6	8,6	2720	140
								Beschikbaar in steek (p) / Available in pitch (p) 100* / 125 / 160 / 200 / 250 / 315								
FV 180	45	61,5	62,5	20	30	42	70	100 / 120	13	86	100	50	8	12,3	2440	180
								Beschikbaar in steek (p) / Available in pitch (p) 100* / 125 / 160 / 200 / 250 / 315 / 400								
FV 250	55	72,0	73,0	26	36	50	80	125 / 145	15	98	114	60	8	18,7	2230	250
								Beschikbaar in steek (p) / Available in pitch (p) 100* / 125* / 160 / 200 / 250 / 315 / 400								
FV 315	65	86,0	87,0	30	42	60	90	140 / 170	18	117	133	70	10	25,8	2040	315
								Beschikbaar in steek (p) / Available in pitch (p) 100* / 125* / 160* / 200 / 250 / 315 / 400 / 500								
FV 400	70	96,0	97,0	32	44	60	100	150 / 185	20	131	151	70	12	30,7	2170	400
								Beschikbaar in steek (p) / Available in pitch (p) 100* / 125* / 160* / 200 / 250 / 315 / 400 / 500								
FV 500	80	106,0	107,0	36	50	70	110	160 / 195	21	141	161	80	12	38,2	2180	500
								Beschikbaar in steek (p) / Available in pitch (p) 100* / 125* / 160* / 200* / 250 / 315 / 400 / 500								
FV 630	90	116,0	117,0	42	56	80	120	170 / 210	22	153	173	100	12	48,7	2160	630
								Beschikbaar in steek (p) / Available in pitch (p) 125* / 160* / 200* / 250 / 315 / 400 / 500								

Afwijkende steekmaten op aanvraag
 Different pitch dimensions on request

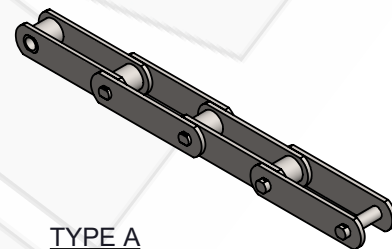
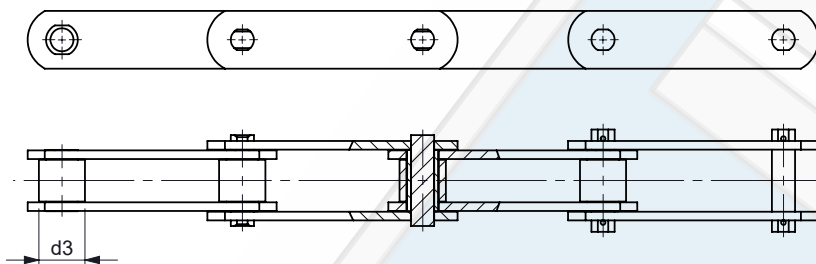
Kettingwielen op aanvraag
 Sprockets on request

TRANSPORTKETTINGEN FV SERIE
CONVEYOR CHAINS FV SERIES
FÖRDERKETTEN FV SERIE
CHAÎNES DE MANUTENTION SÉRIE FV

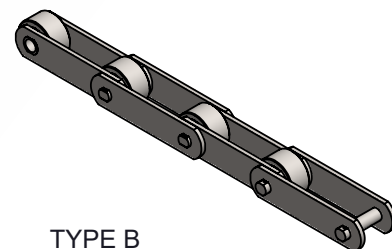
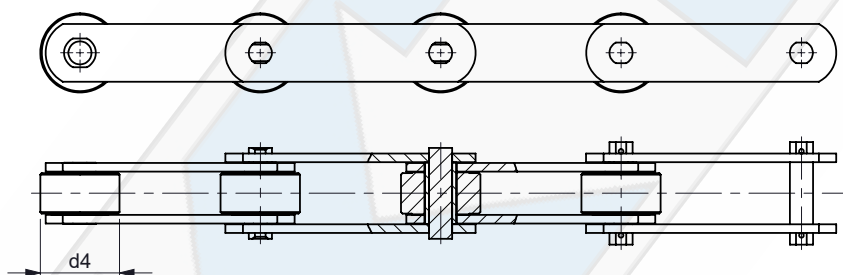
Europese norm vlgs. DIN 8165
 European standard acc. to DIN 8165



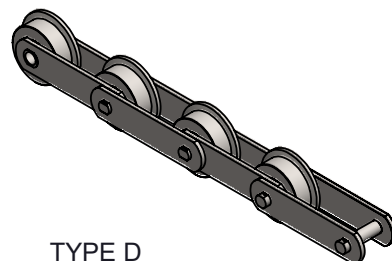
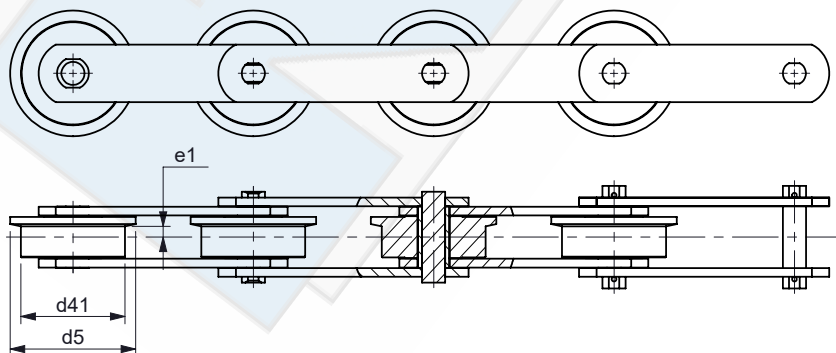
TYPE 0
 Zonder rol
 Without roller



TYPE A
 Met rol
 With roller



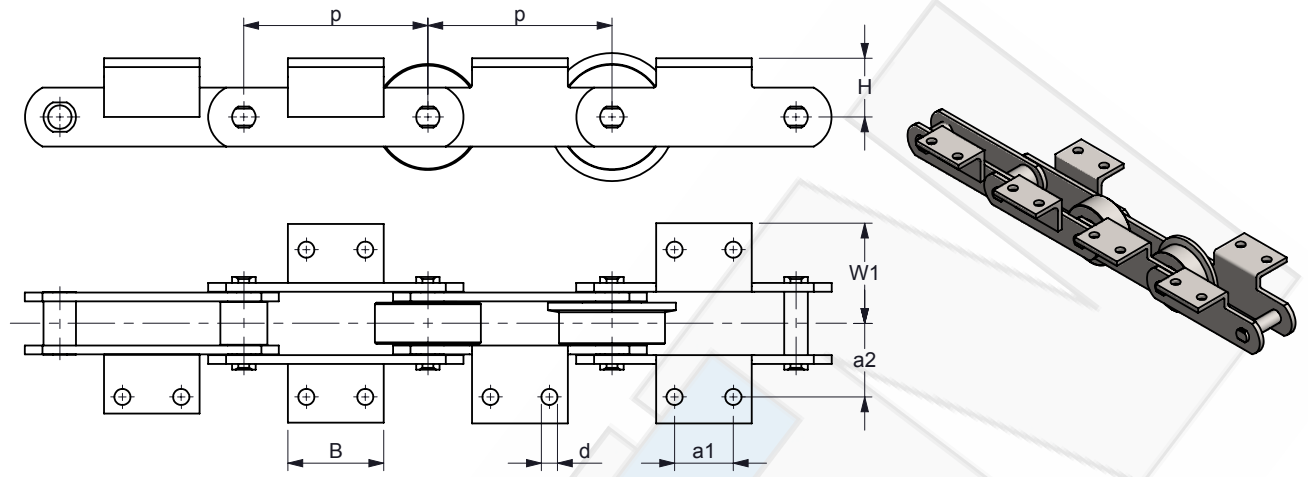
TYPE B
 Met looprol
 With large roller



TYPE D
 Met flensrol
 With flanged roller

MEENEMERS FV SERIE
ATTACHMENTS FV SERIES
MITNEHMER FÜR FV SERIE
ATTACHES DE CHÂÎNES SÉRIE FV

Europese norm vlg. DIN 8165
 European standard acc. to DIN 8165



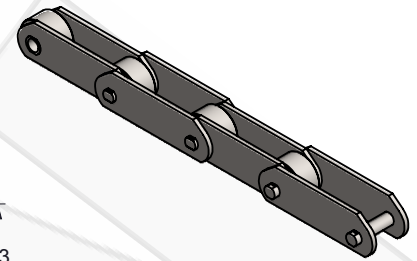
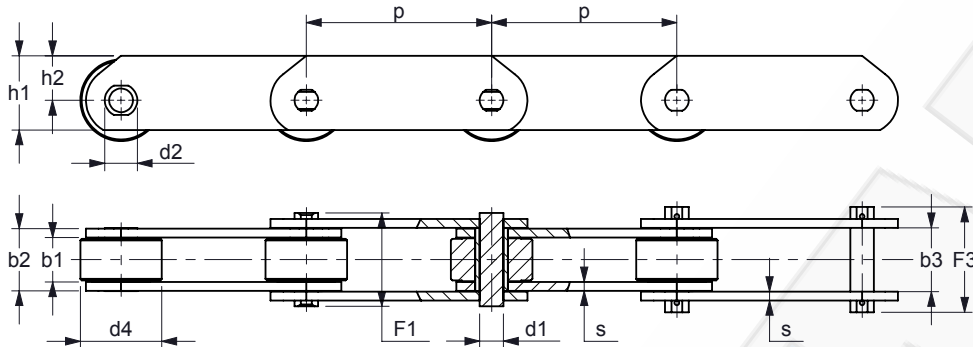
K.T.N. Number								a2	d	H	W1	Hoeklijn
								[mm]	[mm]	[mm]	max. [mm]	[mm]
FV 40	p [mm]	50*	63*	80*	100*	-	-	25	6,4	20	49	25 x 25 x 3
	a1 [mm]	•	•	•	30	-	-					
	B [mm]	25	31	40	50	-	-					
FV 63	p [mm]	63*	80	100	125	160	-	34	8,4	30	50	30 x 30 x 4
	a1 [mm]	•	•	30	40	50	-					
	B [mm]	40	40	50	60	70	-					
FV 90	p [mm]	100	125	160	200	250	-	40	8,4	35	63	40 x 40 x 5
	a1 [mm]	30	40	50	60	65	-					
	B [mm]	50	60	70	80	85	-					
FV 112	p [mm]	100	125	160	200	250	-	50	11,0	40	68	40 x 40 x 6
	a1 [mm]	30	40	50	65	80	-					
	B [mm]	50	65	75	90	105	-					
FV 140	p [mm]	100	125	160	200	250	-	50	11,0	45	80	50 x 50 x 7
	a1 [mm]	30	40	50	65	80	-					
	B [mm]	55	65	75	90	105	-					
FV 180	p [mm]	125	160	200	250	315	400	64	13,0	45	90	50 x 50 x 7
	a1 [mm]	35	50	65	80	100	100					
	B [mm]	63	80	95	110	130	130					
FV 250	p [mm]	125	160	200	250	315	400	69	13,0	55	110	65 x 65 x 7
	a1 [mm]	•	50	65	80	100	100					
	B [mm]	50	80	95	110	130	130					
FV 315	p [mm]	160	200	250	315	400	-	85	13,0	60	124	70 x 70 x 9
	a1 [mm]	•	65	80	100	100	-					
	B [mm]	50	95	110	130	130	-					
FV 400	p [mm]	160	200	250	315	400	-	95	17,0	65	131	70 x 70 x 11
	a1 [mm]	•	60	80	100	100	-					
	B [mm]	50	100	120	140	140	-					
FV 500	p [mm]	160	200	250	315	400	-	100	17,0	70	146	80 x 80 x 12
	a1 [mm]	•	50	80	100	100	-					
	B [mm]	50	90	120	140	140	-					
FV 630	p [mm]	200	250	315	400	500	-	115	17,0	80	171	100 x 100 x 12
	a1 [mm]	•	70	100	100	100	-					
	B [mm]	50	110	140	140	140	-					

* Hoeklijn omgebogen
 * Bent diagonal

• 1 Bevestigingsgat
 • 1 Mounting hole

DRAAGTRANSPORTKETTING FVT SERIE
DEEP LINK CONVEYOR CHAIN FVT SERIES
TRAGLASCHEN FÖRDERKETTE FVT SERIE
CHAÎNES DE MANUTENTION SÉRIE FVT

Europese norm vlgs. DIN 8165
 European standard acc. to DIN 8165



K.T.N. Number	b1 min. [mm]	b2 max. [mm]	b3 min. [mm]	d1 max. [mm]	d2 max. [mm]	d4 max. [mm]	F1 max. [mm]	F3 max. [mm]	h1 [mm]	h2 [mm]	s [mm]	f [cm ²]	Surface pressure [N/cm ²]	Fb min. [kN]	
FVT 40 <i>Beschikbaar in steek</i>	18	24,5	25,0	10	15	32	37	44	35	22,0	3	2,5	2680	40	
						<i>(p) / Available in pitch (p)</i> 40 / 50 / 63 / 80 / 100 / 125 / 160									
FVT 63 <i>Beschikbaar in steek</i>	22	30,5	31,0	12	18	40	46	54	40	25,0	4	3,7	2840	63	
						<i>(p) / Available in pitch (p)</i> 63 / 80 / 100 / 125 / 160 / 200									
FVT 90 <i>Beschikbaar in steek</i>	25	35,5	36,0	14	20	48	53	62	45	27,5	5	5,0	3000	90	
						<i>(p) / Available in pitch (p)</i> 63 / 80 / 100 / 125 / 160 / 200 / 250									
FVT 112 <i>Beschikbaar in steek</i>	30	42,5	43,0	16	22	55	63	72	50	30,0	6	6,8	2750	112	
						<i>(p) / Available in pitch (p)</i> 100 / 125 / 160 / 200 / 250									
FVT 140 <i>Beschikbaar in steek</i>	35	47,5	48,0	18	26	60	68	80	60	37,5	6	8,6	2720	140	
						<i>(p) / Available in pitch (p)</i> 100 / 125 / 160 / 200 / 250 / 315									
FVT 180 <i>Beschikbaar in steek</i>	45	61,5	62,5	20	30	70	86	100	70	45,0	8	12,3	2440	180	
						<i>(p) / Available in pitch (p)</i> 100 / 125 / 160 / 200 / 250 / 315 / 400									
FVT 250 <i>Beschikbaar in steek</i>	55	72,0	73,0	26	36	80	98	114	80	50,0	8	18,7	2230	250	
						<i>(p) / Available in pitch (p)</i> 100 / 125 / 160 / 200 / 250 / 315 / 400									
FVT 315 <i>Beschikbaar in steek</i>	65	86,0	87,0	30	42	90	117	133	90	55,0	10	25,8	2040	315	
						<i>(p) / Available in pitch (p)</i> 100 / 125 / 160 / 200 / 250 / 315 / 400 / 500									
FVT 400 <i>Beschikbaar in steek</i>	70	96,0	97,0	32	44	100	131	151	90	55,0	12	30,7	2170	400	
						<i>(p) / Available in pitch (p)</i> 100 / 125 / 160 / 200 / 250 / 315 / 400 / 500									
FVT 500 <i>Beschikbaar in steek</i>	80	106,0	107,0	36	50	110	141	161	100	60,0	12	38,2	2180	500	
						<i>(p) / Available in pitch (p)</i> 100 / 125 / 160 / 200 / 250 / 315 / 400 / 500									
FVT 630 <i>Beschikbaar in steek</i>	90	116,0	117,0	42	56	120	153	173	120	70,0	12	48,7	2160	630	
						<i>(p) / Available in pitch (p)</i> 125 / 160 / 200 / 250 / 315 / 400 / 500									

Afwijkende steekmaten op aanvraag
 Different pitch dimensions on request

Kettingwielen op aanvraag
 Sprockets on request

HOLLEBOUTKETINGEN FV(C) SERIE
HOLLOW PIN CHAINS FV(C) SERIES
HOHLBOLZENKETTEN FV(C) SERIE
CHAÎNES À AXES CREUX SÉRIE FV(C)

Europese norm vlgs. DIN 8165
 European standard acc. to DIN 8165



Optioneel diverse coatings
 Additional several coatings

Optioneel roestvast staal (breuksterkte op aanvraag)
 Additional stainless steel (tensile strenght on request)

* Flensrol d41/d5 niet mogelijk
 * Flanged roller d41/d5 not possible

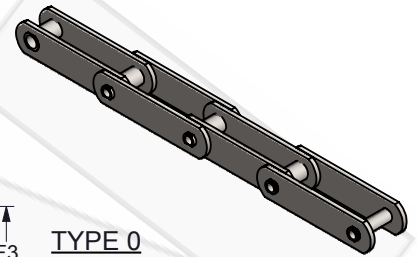
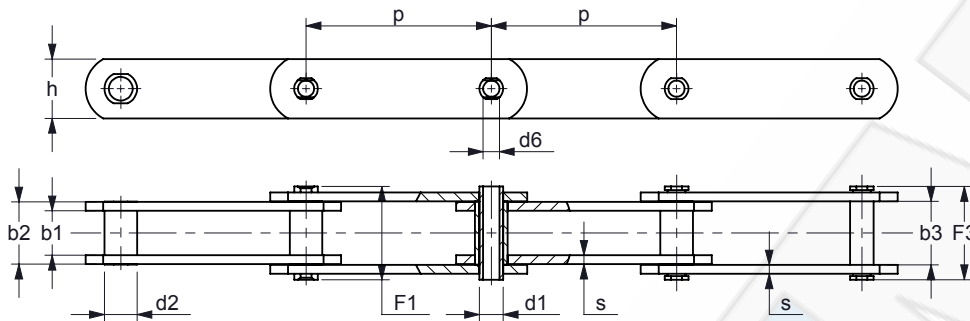
K.T.N. Number	Type 0		Type A		Type B		Type D											
	b1 min. [mm]	b2 max. [mm]	b3 min. [mm]	d1 max. [mm]	d2 max. [mm]	d3 max. [mm]	d4 max. [mm]	d41/d5 max. [mm]	d6 min. [mm]	e1 max. [mm]	F1 max. [mm]	F3 max. [mm]	h [mm]	s [mm]	f [cm ²]	Surface pressure [N/cm ²]	Fb min. [kN]	
FV(C) 63	22	30,5	31,0	12	18	26	40	50 / 60	8	5	46	55	30	4	3,7	2840	46	
<i>Beschikbaar in steek (p) / Available in pitch (p)</i>								63* / 80 / 100 / 125 / 160 / 200										
FV(C) 90	25	35,5	36,0	14	20	30	48	63 / 73	10	6,5	53	62	35	5	5,0	3000	73	
<i>Beschikbaar in steek (p) / Available in pitch (p)</i>								63* / 80 / 100 / 125 / 160 / 200 / 250										
FV(C) 112	30	42,5	43,0	16	22	32	55	72 / 87	11	7,5	63	72	40	6	6,8	2750	90	
<i>Beschikbaar in steek (p) / Available in pitch (p)</i>								100 / 125 / 160 / 200 / 250										
FV(C) 140	35	47,5	48,0	18	26	36	60	80 / 95	12	9	68	80	45	6	8,6	2720	110	
<i>Beschikbaar in steek (p) / Available in pitch (p)</i>								100* / 125 / 160 / 200 / 250 / 315										
FV(C) 180	45	61,5	62,5	20	30	42	70	100 / 120	14	13	86	100	50	8	12,3	2440	145	
<i>Beschikbaar in steek (p) / Available in pitch (p)</i>								100* / 125 / 160 / 200 / 250 / 315 / 400										
FV(C) 250	55	72,0	73,0	26	36	50	80	125 / 145	18	15	98	114	60	8	18,7	2230	215	
<i>Beschikbaar in steek (p) / Available in pitch (p)</i>								100* / 125* / 160 / 200 / 250 / 315 / 400										
FV(C) 315	65	86,0	87,0	30	42	60	90	140 / 170	20	18	117	133	70	10	25,8	2040	295	
<i>Beschikbaar in steek (p) / Available in pitch (p)</i>								100* / 125* / 160* / 200 / 250 / 315 / 400 / 500										
FV(C) 400	70	96,0	97,0	32	44	60	100	150 / 185	22	20	131	151	70	12	30,7	2170	330	
<i>Beschikbaar in steek (p) / Available in pitch (p)</i>								100* / 125* / 160* / 200 / 250 / 315 / 400 / 500										
FV(C) 500	80	106,0	107,0	36	50	70	110	160 / 195	26	21	141	161	80	12	38,2	2180	440	
<i>Beschikbaar in steek (p) / Available in pitch (p)</i>								100* / 125* / 160* / 200* / 250 / 315 / 400 / 500										
FV(C) 630	90	116,0	117,0	42	56	80	120	170 / 210	30	22	153	173	100	12	48,7	2160	520	
<i>Beschikbaar in steek (p) / Available in pitch (p)</i>								125* / 160* / 200* / 250 / 315 / 400 / 500										

Afwijkende steekmaten op aanvraag
 Different pitch dimensions on request

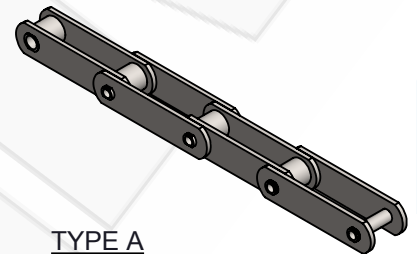
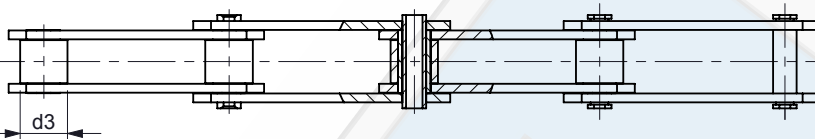
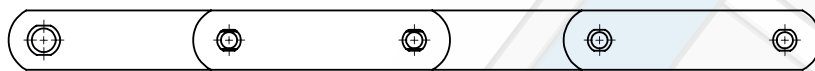
Kettingwielen op aanvraag
 Sprockets on request

HOLLEBOUTKETINGEN FV(C) SERIE
HOLLOW PIN CHAINS FV(C) SERIES
HOHLBOLZENKETTEN FV(C) SERIE
CHAÎNES À AXES CREUX FV(C)

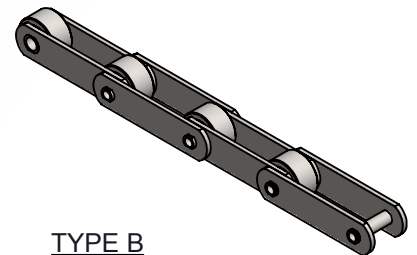
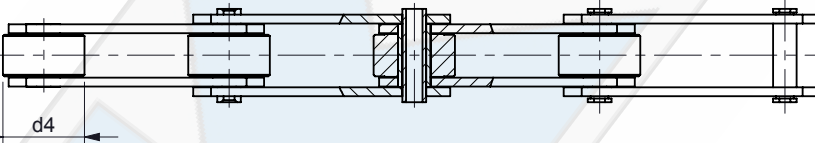
Europese norm vlgs. DIN 8165
 European standard acc. to DIN 8165



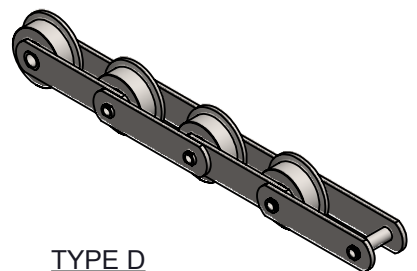
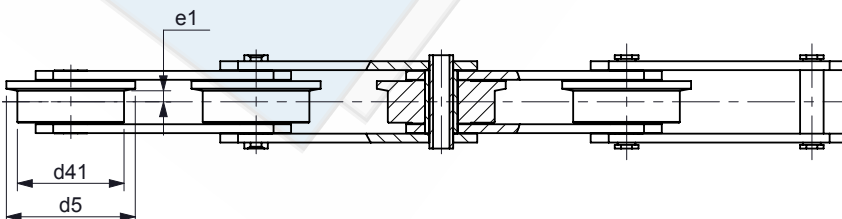
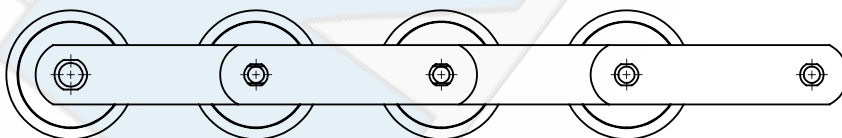
TYPE 0
 Zonder rol
 Without roller



TYPE A
 Met rol
 With roller



TYPE B
 Met looprol
 With large roller



TYPE D
 Met flensrol
 With flanged roller