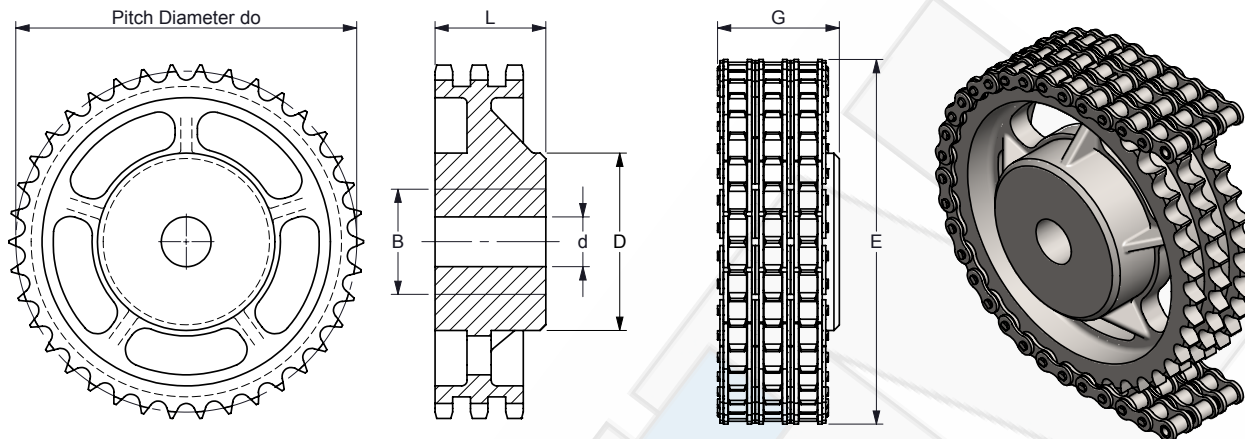


**KETTINGWIELEN GIETIJZER 06B-3 / 08B-3**  
**SPROCKETS CAST IRON 06B-3 / 08B-3**  
**KETTENRÄDER GUSSEISEN 06B-3 / 08B-3**  
**PIGNONS EN FONTE 06B-3 / 08B-3**

Voor rollenkettingen vlg. DIN 8187 / ISO 606  
 For rollerchains acc. to DIN 8187 / ISO 606



**06B-3 ---- Steek / Pitch 9,525 mm ---- Inwendige breedte / Inner width 5,72 mm ---- Roldiameter / Roller diameter 6,35 mm**

K.T.N. Number	z	do [mm]	d [mm]	B* [mm]	D [mm]	L [mm]	E [mm]	G [mm]	q ca. [kg/pc]
06B3038	38	115,34	23	60	90	56	124	64	2,54
06B3045	45	136,54	24	60	90	56	146	64	3,56
06B3057	57	172,91	24	60	90	56	182	64	3,97
06B3076	76	230,49	24	70	100	56	239	64	4,52
06B3095	95	288,08	24	70	100	56	297	64	6,12
06B3114	114	345,68	24	70	100	56	354	64	7,45

**08B-3 ---- Steek / Pitch 12,7 mm ---- Inwendige breedte / Inner width 7,75 mm ---- Roldiameter / Roller diameter 8,51 mm**

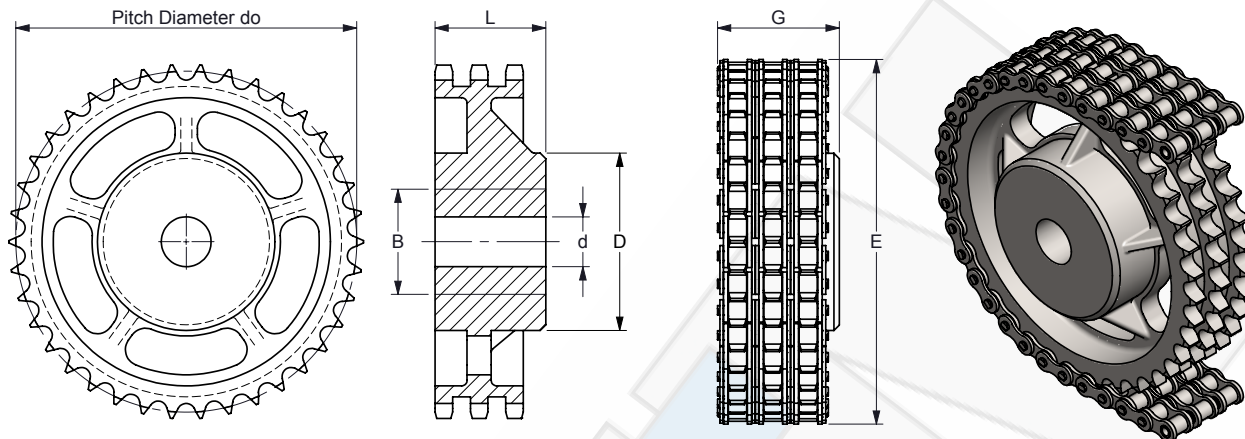
K.T.N. Number	z	do [mm]	d [mm]	B* [mm]	D [mm]	L [mm]	E [mm]	G [mm]	q ca. [kg/pc]
08B3038	38	153,79	24	70	100	60	166	70	4,45
08B3045	45	182,07	24	70	100	60	194	70	5,85
08B3057	57	230,54	24	70	100	60	243	70	6,28
08B3076	76	307,33	24	70	100	60	320	70	8,60
08B3095	95	384,11	24	80	120	67	396	77	11,90
08B3114	114	460,90	23	80	120	67	473	77	17,14

Ook leverbaar in klantspecifieke uitvoering  
 Also available with customized applications

\* Maximale boring inclusief spiebaan  
 \* Maximum bore including keyway

**KETTINGWIELEN GIETIJZER 10B-3 / 12B-3**  
**SPROCKETS CAST IRON 10B-3 / 12B-3**  
**KETTENRÄDER GUSSEISEN 10B-3 / 12B-3**  
**PIGNONS EN FONTE 10B-3 / 12B-3**

Voor rollenkettingen vlg. DIN 8187 / ISO 606  
 For rollerchains acc. to DIN 8187 / ISO 606



**10B-3 ---- Steek / Pitch 15,875 mm ---- Inwendige breedte / Inner width 9,65 mm ---- Roldiameter / Roller diameter 10,16 mm**

K.T.N. Number	z	do [mm]	d [mm]	B* [mm]	D [mm]	L [mm]	E [mm]	G [mm]	q ca. [kg/pc]
10B3038	38	192,24	32	70	100	60	208	70	6,50
10B3045	45	227,58	32	70	100	60	243	70	7,04
10B3057	57	288,18	32	70	100	63	304	73	8,00
10B3076	76	384,16	35	75	110	67	400	77	12,00
10B3095	95	480,14	35	80	125	70	496	80	19,40
10B3114	114	576,13	35	80	125	80	592	90	24,00

**12B-3 ---- Steek / Pitch 19,05 mm ---- Inwendige breedte / Inner width 11,68 mm ---- Roldiameter / Roller diameter 12,07 mm**

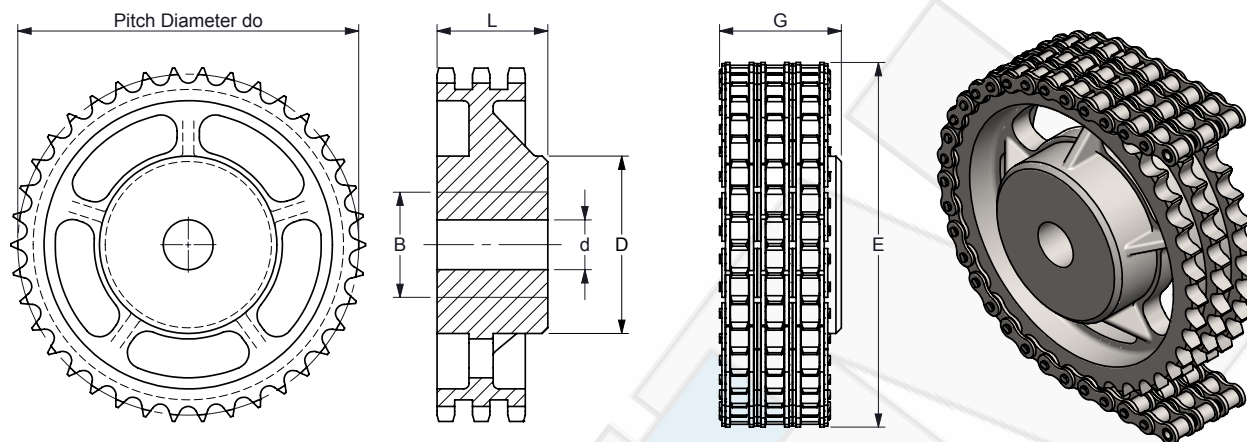
K.T.N. Number	z	do [mm]	d [mm]	B* [mm]	D [mm]	L [mm]	E [mm]	G [mm]	q ca. [kg/pc]
12B3038	38	230,69	30	95	140	70	248	81	10,00
12B3045	45	273,10	30	95	140	70	291	81	13,30
12B3057	57	345,81	40	95	140	70	363	81	15,25
12B3076	76	460,99	40	110	160	75	478	86	27,20
12B3095	95	576,17	40	120	170	82	594	93	36,40
12B3114	114	691,36	50	120	170	82	709	93	41,10

Ook leverbaar in klantspecifieke uitvoering  
 Also available with customized applications

\* Maximale boring inclusief spiebaan  
 \* Maximum bore including keyway

**KETTINGWIELEN GIETIJZER 16B-3 / 20B-3**  
**SPROCKETS CAST IRON 16B-3 / 20B-3**  
**KETTENRÄDER GUSSEISEN 16B-3 / 20B-3**  
**PIGNONS EN FONTE 16B-3 / 20B-3**

Voor rollenkettingen vlg. DIN 8187 / ISO 606  
 For rollerchains acc. to DIN 8187 / ISO 606



**16B-3 ---- Steek / Pitch 25,4 mm ---- Inwendige breedte / Inner width 17,02 mm ---- Roldiameter / Roller diameter 15,88 mm**

K.T.N. Number	z	do [mm]	d [mm]	B* [mm]	D [mm]	L [mm]	E [mm]	G [mm]	q ca. [kg/pc]
16B3038	38	307,58	45	110	160	100	329	117	25,40
16B3045	45	364,12	45	110	160	100	386	117	33,60
16B3057	57	461,07	45	115	165	100	483	117	44,70
16B3076	76	614,65	45	150	200	110	636	127	63,10
16B3095	95	768,22	50	150	200	110	790	127	77,00
16B3114	114	921,81	50	150	200	115	943	132	97,00

**20B-3 ---- Steek / Pitch 31,75 mm ---- Inwendige breedte / Inner width 19,56 mm ---- Roldiameter / Roller diameter 19,05 mm**

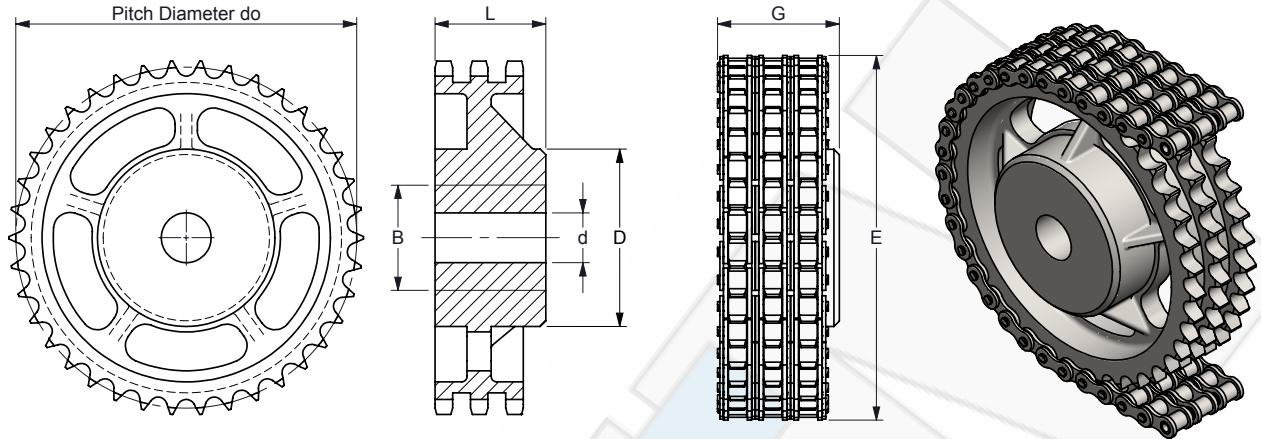
K.T.N. Number	z	do [mm]	d [mm]	B* [mm]	D [mm]	L [mm]	E [mm]	G [mm]	q ca. [kg/pc]
20B3038	38	384,48	56	130	180	110	411	130	52,00
20B3045	45	455,17	56	130	180	110	482	130	61,75
20B3057	57	576,36	60	130	180	125	603	145	71,50
20B3076	76	768,32	60	150	200	140	795	160	115,00
20B3095	95	960,28	70	170	238	160	987	180	179,69
20B3114	114	1152,26	80	175	250	170	1179	190	258,75

Ook leverbaar in klantspecifieke uitvoering  
 Also available with customized applications

\* Maximale boring inclusief spiebaan  
 \* Maximum bore including keyway

**KETTINGWIELEN GIETIJZER 24B-3**  
**SPROCKETS CAST IRON 24B-3**  
**KETTENRÄDER GUSSEISEN 24B-3**  
**PIGNONS EN FONTE 24B-3**

Voor rollenkettingen vlg. DIN 8187 / ISO 606  
 For rollerchains acc. to DIN 8187 / ISO 606



24B-3 ---- Steek / Pitch 38,1 mm ---- Inwendige breedte / Inner width 25,4 mm ---- Roldiameter / Roller diameter 25,4 mm

K.T.N. Number	z	do [mm]	d [mm]	B* [mm]	D [mm]	L [mm]	E [mm]	G [mm]	q ca. [kg/pc]
24B3038	38	461,38	60	150	200	150	497	177	42,50
24B3045	45	546,20	60	150	200	150	582	177	67,01
24B3057	57	691,73	70	150	200	150	724	177	119,40
24B3076	76	921,98	70	175	250	150	956	177	212,67
24B3095	95	1152,33	80	185	276	180	1184	207	332,30
24B3114	114	1382,72	80	190	286	190	1412	217	478,51

Ook leverbaar in klantspecifieke uitvoering  
 Also available with customized applications

\* Maximale boring inclusief spiebaan  
 \* Maximum bore including keyway