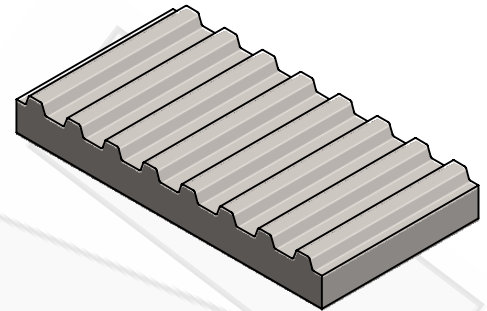
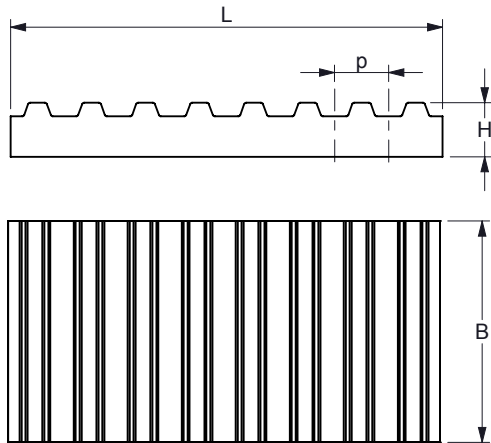


KLEMPLATEN T / AT
CLAMPING PLATES T / AT
KLEMPLATTEN T / AT
PLAQUES DE JONCTIONS T / AT

Uitvoering zonder gaten
 Execution without holes



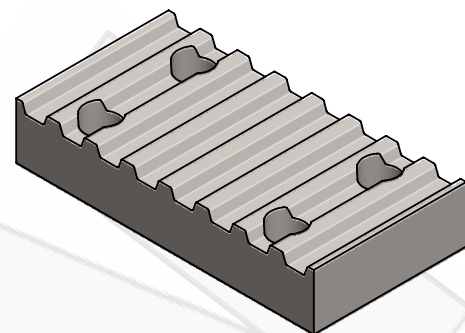
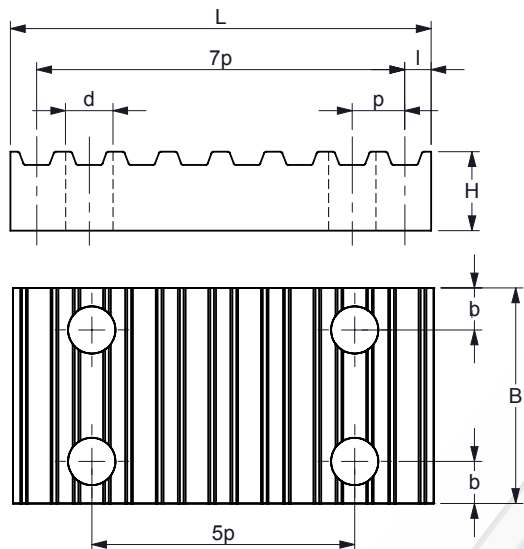
T5 / AT5 p = 5 mm
 T10 / AT10 p = 10 mm
 T20 / AT20 p = 20 mm

12

K.T.N. Number	Riembreedte Belt width	Riem type Belt type	B	L	H	q ca. [kg/pc]
			[mm]	[mm]	[mm]	
30PMB0410120	16	T5	41	120	10	0,12
30PMB0500120	25	T5	50	120	10	0,15
30PMB0600120	32	T5	60	120	10	0,18
30PMB0750120	50	T5	75	120	10	0,23
30PMB1100120	75	T5	110	120	10	0,33
30PMB1400120	100	T5	140	120	10	0,42
30PMC0410160	16	T10	41	160	10	0,16
30PMC0500160	25	T10	50	160	10	0,19
30PMC0600160	32	T10	60	160	10	0,23
30PMC0750160	50	T10	75	160	10	0,29
30PMC1100160	75	T10	110	160	10	0,42
30PMC1400160	100	T10	140	160	10	0,53
30PMC1900160	150	T10	190	160	10	0,72
30PMD0500200	25	T20	50	200	20	0,46
30PMD0600200	32	T20	60	200	20	0,55
30PMD0750200	50	T20	75	200	20	0,69
30PMD1100200	75	T20	110	200	20	1,01
30PMD1400200	100	T20	140	200	20	1,20
30PMD1900200	150	T20	190	200	20	1,74
30PNJ0410120	16	AT5	41	120	10	0,12
30PNJ0500120	25	AT5	50	120	10	0,15
30PNJ0600120	32	AT5	60	120	10	0,18
30PNJ0750120	50	AT5	75	120	10	0,23
30PNJ1100120	75	AT5	110	120	10	0,33
30PNJ1400120	100	AT5	140	120	10	0,42
30PNK0410160	16	AT10	41	160	10	0,15
30PNK0500160	25	AT10	50	160	10	0,19
30PNK0600160	32	AT10	60	160	10	0,22
30PNK0750160	50	AT10	75	160	10	0,28
30PNK1100160	75	AT10	110	160	10	0,41
30PNK1400160	100	AT10	140	160	10	0,52
30PNK1900160	150	AT10	190	160	10	0,70
30PNL0500200	25	AT20	50	200	20	0,46
30PNL0600200	32	AT20	60	200	20	0,55
30PNL0750200	50	AT20	75	200	20	0,69
30PNL1100200	75	AT20	110	200	20	1,01
30PNL1400200	100	AT20	140	200	20	1,20
30PNL1900200	150	AT20	190	200	20	1,74

KLEMPLATEN T / AT
CLAMPING PLATES T / AT
KLEMPLATTEN T / AT
PLAQUES DE JONCTIONS T / AT

Uitvoering met gaten
 Execution with holes

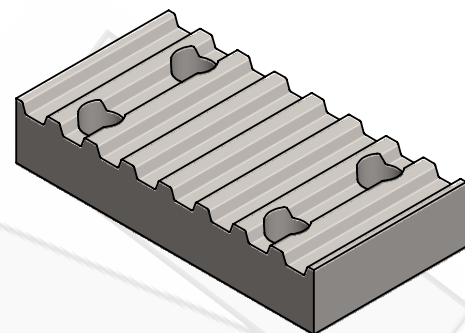
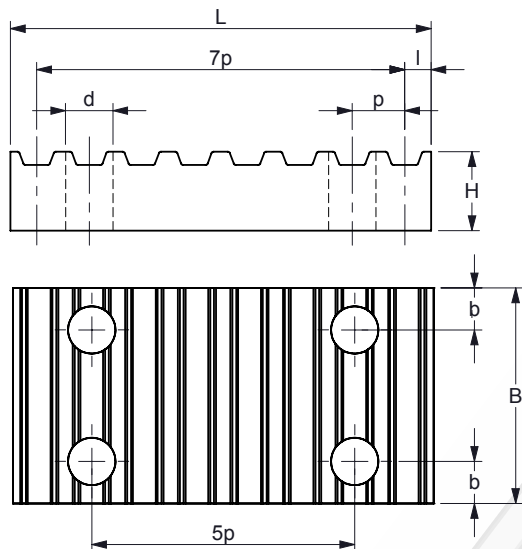


T5 / AT5 p = 5 mm
 T10 / AT10 p = 10 mm
 T20 / AT20 p = 20 mm

K.T.N. Number	Riembreedte Belt width	Riem type Belt type	B [mm]	L [mm]	H [mm]	b [mm]	d [mm]	l [mm]	q [kg/pc]
30PMB0290041G	10	T5	29	41,80	8	6	5,50	3,25	0,02
30PMB0350041G	16	T5	35	41,80	8	6	5,50	3,25	0,03
30PMB0440041G	25	T5	44	41,80	8	6	5,50	3,25	0,03
30PMB0510041G	32	T5	51	41,80	8	6	5,50	3,25	0,04
30PMB0690041G	50	T5	69	41,80	8	6	5,50	3,25	0,05
30PMC0410080G	16	T10	41	80,00	15	8	9,00	5,00	0,11
30PMC0500080G	25	T10	50	80,00	15	8	9,00	5,00	0,14
30PMC0570080G	32	T10	57	80,00	15	8	9,00	5,00	0,16
30PMC0750080G	50	T10	75	80,00	15	8	9,00	5,00	0,21
30PMC1000080G	75	T10	100	80,00	15	8	9,00	5,00	0,28
30PMC1250080G	100	T10	125	80,00	15	8	9,00	5,00	0,35
30PMD0560160G	25	T20	56	160,00	20	10	11,00	10,00	0,36
30PMD0630160G	32	T20	63	160,00	20	10	11,00	10,00	0,46
30PMD0810160G	50	T20	81	160,00	20	10	11,00	10,00	0,59
30PMD1060160G	75	T20	106	160,00	20	10	11,00	10,00	0,77
30PMD1320160G	100	T20	132	160,00	20	10	11,00	10,00	0,96
30PNJ0290041G	10	AT5	29	41,80	8	6	5,50	3,25	0,02
30PNJ0350041G	16	AT5	35	41,80	8	6	5,50	3,25	0,03
30PNJ0440041G	25	AT5	44	41,80	8	6	5,50	3,25	0,03
30PNJ0510041G	32	AT5	51	41,80	8	6	5,50	3,25	0,04
30PNJ0690041G	50	AT5	69	41,80	8	6	5,50	3,25	0,05
30PNK0410080G	16	AT10	41	80,00	15	8	9,00	5,00	0,11
30PNK0500080G	25	AT10	50	80,00	15	8	9,00	5,00	0,14
30PNK0570080G	32	AT10	57	80,00	15	8	9,00	5,00	0,16
30PNK0750080G	50	AT10	75	80,00	15	8	9,00	5,00	0,21
30PNK1000080G	75	AT10	100	80,00	15	8	9,00	5,00	0,28
30PNK1250080G	100	AT10	125	80,00	15	8	9,00	5,00	0,35
30PNL0560160G	25	AT20	56	160,00	20	10	11,00	10,00	0,36
30PNL0630160G	32	AT20	63	160,00	20	10	11,00	10,00	0,46
30PNL0810160G	50	AT20	81	160,00	20	10	11,00	10,00	0,59
30PNL1060160G	75	AT20	106	160,00	20	10	11,00	10,00	0,77
30PNL1320160G	100	AT20	132	160,00	20	10	11,00	10,00	0,96

KLEMPLATEN HTD
CLAMPING PLATES HTD
KLEMPLATTEN HTD
PLAQUES DE JONCTIONS HTD

Uitvoering met gaten
 Execution with holes

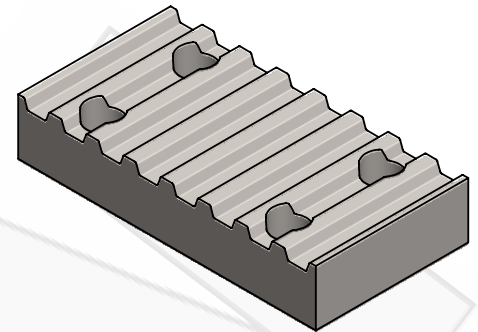
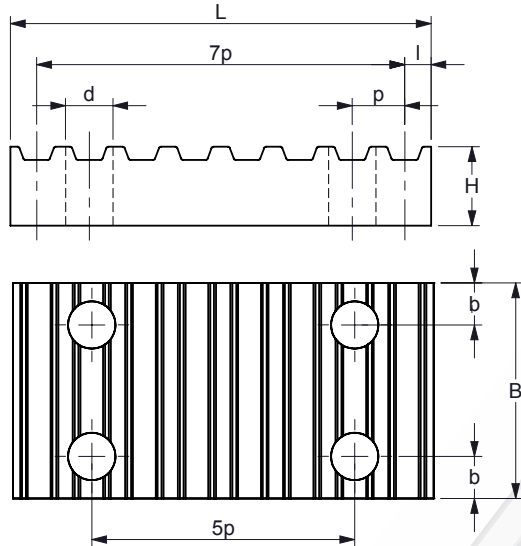


HTD-3M p = 3 mm
 HTD-5M p = 5 mm
 HTD-8M p = 8 mm
 HTD-14M p = 14 mm

K.T.N. Number	Riembreedte Belt width	Riem type Belt type	B	L	H	b	d	l	q
			[mm]	[mm]	[mm]	[mm]	[mm]	[mm]	[mm]
30PHA0210025G	6	HTD-3M	21	25,00	5	5	4,50	2,00	0,01
30PHA0240025G	10	HTD-3M	24	25,00	5	5	4,50	2,00	0,01
30PHA0300025G	15	HTD-3M	30	25,00	5	5	4,50	2,00	0,01
30PHB0250041G	6	HTD-5M	25	41,80	8	6	5,50	3,25	0,02
30PHB0280041G	9	HTD-5M	28	41,80	8	6	5,50	3,25	0,02
30PHB0340041G	15	HTD-5M	34	41,80	8	6	5,50	3,25	0,03
30PHB0440041G	25	HTD-5M	44	41,80	8	6	5,50	3,25	0,03
30PHC0350066G	10	HTD-8M	35	66,00	15	8	9,00	5,00	0,08
30PHC0400066G	15	HTD-8M	40	66,00	15	8	9,00	5,00	0,08
30PHC0450066G	20	HTD-8M	45	66,00	15	8	9,00	5,00	0,10
30PHC0550066G	30	HTD-8M	55	66,00	15	8	9,00	5,00	0,12
30PHC0750066G	50	HTD-8M	75	66,00	15	8	9,00	5,00	0,17
30PHC0850066G	85	HTD-8M	110	66,00	15	8	9,00	5,00	0,25
30PHD0560116G	25	HTD-14M	56	116,00	22	10	11,00	9,00	0,32
30PHD0710116G	40	HTD-14M	71	116,00	22	10	11,00	9,00	0,42
30PHD0860116G	55	HTD-14M	86	116,00	22	10	11,00	9,00	0,48
30PHD1160116G	85	HTD-14M	116	116,00	22	10	11,00	9,00	0,66
30PHD1460116G	115	HTD-14M	146	116,00	22	10	11,00	9,00	0,83
30PHD2010116G	170	HTD-14M	201	116,00	22	10	11,00	9,00	1,16

KLEMPLATEN XL / L / H
CLAMPING PLATES XL / L / H
KLEMPLATTEN XL / L / H
PLAQUES DE JONCTIONS XL / L / H

Uitvoering met gaten
 Execution with holes

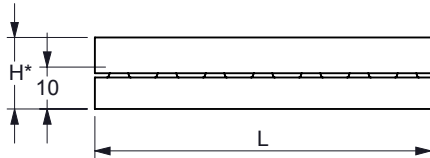
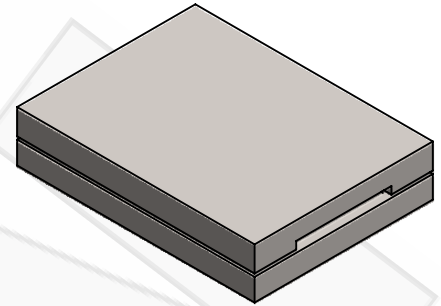


XL $p = 1/5" = 5,080 \text{ mm}$
 L $p = 3/8" = 9,525 \text{ mm}$
 H $p = 1/2" = 12,7 \text{ mm}$

K.T.N. Number	Riembreedte Belt width	Riem type Belt type	B	L	H	b	d	l	q
			[mm]	[mm]	[mm]	[mm]	[mm]	[mm]	[mm]
30PIB0250042G	25	XL	25,50	42,50	8	6	5,50	3,50	0,02
30PIB0280042G	37	XL	28,50	42,50	8	6	5,50	3,50	0,02
30PIB0320042G	50	XL	32,00	42,50	8	6	5,50	3,50	0,02
30PIB0380042G	75	XL	38,00	42,50	8	6	5,50	3,50	0,03
30PIB0450042G	100	XL	45,00	42,50	8	6	5,50	3,50	0,03
30PIC0360076G	37	L	36,00	76,60	15	8	9,00	5,00	0,10
30PIC0390076G	50	L	39,00	76,60	15	8	9,00	5,00	0,11
30PIC0450076G	75	L	45,00	76,60	15	8	9,00	5,00	0,13
30PIC0510076G	100	L	51,50	76,60	15	8	9,00	5,00	0,15
30PIC0640076G	150	L	64,00	76,60	15	8	9,00	5,00	0,18
30PIC0770076G	200	L	77,00	76,60	15	8	9,00	5,00	0,22
30PID0450106G	50	H	45,00	106,90	22	10	11,00	9,00	0,26
30PID0510106G	75	H	51,00	106,90	22	10	11,00	9,00	0,30
30PID0570106G	100	H	57,50	106,90	22	10	11,00	9,00	0,34
30PID0700106G	150	H	70,00	106,90	22	10	11,00	9,00	0,41
30PID0830106G	200	H	83,00	106,90	22	10	11,00	9,00	0,48
30PID1080106G	300	H	108,00	106,90	22	10	11,00	9,00	0,63
30PID1340106G	400	H	134,00	106,90	22	10	11,00	9,00	0,78

SPANPLATEN T / AT TYPE 1
TENSIONING CLAMPS T / AT TYPE 1
SPANNPLATTEN T / AT TYPE 1
PLAQUES DE SERRAGE T / AT TYPE 1

Uitvoering zonder gaten
 Execution without holes

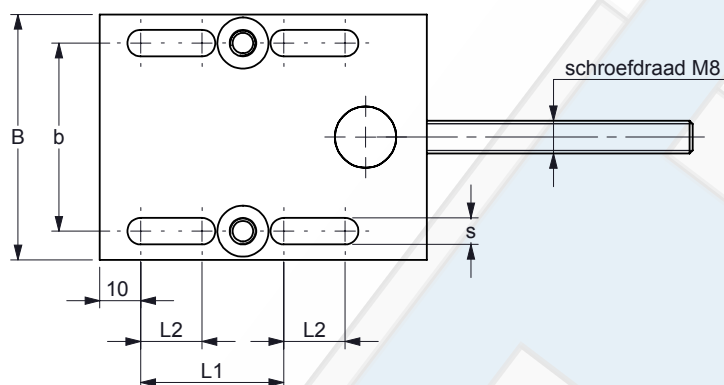
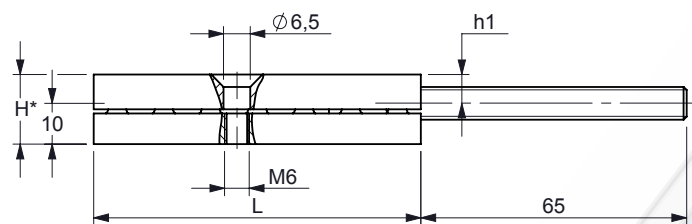
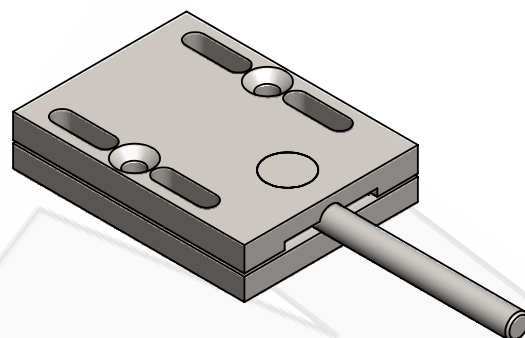


H* = Hoogte inclusief tandriem
 H* = Height including timing belt

K.T.N. Number	Riembreedte Belt width [mm]	Riem type Belt type	B [mm]	L [mm]	H* [mm]
30PMB0500080S1	25	T5	50	80	18,50
30PMB0600080S1	32	T5	60	80	18,50
30PMB0750080S1	50	T5	75	80	18,50
30PMC0500080S1	25	T10	50	80	19,50
30PMC0600080S1	32	T10	60	80	19,50
30PMC0750080S1	50	T10	75	80	19,50
30PNJ0500080S1	25	AT5	50	80	19,00
30PNJ0600080S1	32	AT5	60	80	19,00
30PNJ0750080S1	50	AT5	75	80	19,00
30PNK0500080S1	25	AT10	50	80	19,50
30PNK0600080S1	32	AT10	60	80	19,50
30PNK0750080S1	50	AT10	75	80	19,50

SPANPLATEN T / AT TYPE 2
TENSIONING CLAMPS T / AT TYPE 2
SPANNPLATTEN T / AT TYPE 2
PLAQUES DE SERRAGE T / AT TYPE 2

Uitvoering met sleuf- en taggaten
 Execution with slot- and threaded holes

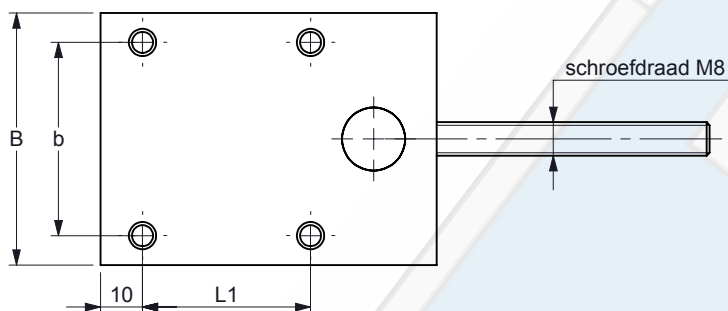
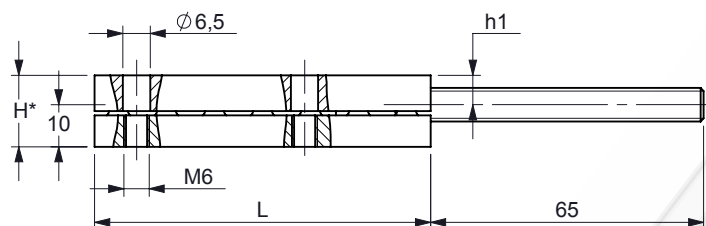
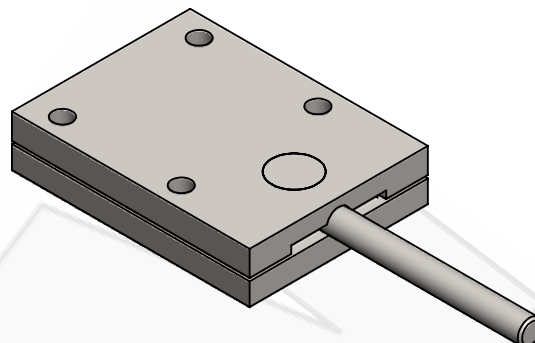


H* = Hoogte inclusief tandriem
 H* = Height including timing belt

K.T.N. Number	Riembreedte Belt width [mm]	Riem type Belt type	B [mm]	L [mm]	H* [mm]	h1 [mm]	b [mm]	L1 [mm]	L2 [mm]
30PMB0500080S2	25	T5	50	80	18,50	8,25	38	35	15
30PMB0600080S2	32	T5	60	80	18,50	8,25	46	35	15
30PMB0750080S2	50	T5	75	80	18,50	8,25	62	35	15
30PMC0500080S2	25	T10	50	80	19,50	8,25	38	35	15
30PMC0600080S2	32	T10	60	80	19,50	8,25	46	35	15
30PMC0750080S2	50	T10	75	80	19,50	8,25	62	35	15
30PNJ0500080S2	25	AT5	50	80	19,00	8,25	38	35	15
30PNJ0600080S2	32	AT5	60	80	19,00	8,25	46	35	15
30PNJ0750080S2	50	AT5	75	80	19,00	8,25	62	35	15
30PNK0500080S2	25	AT10	50	80	19,50	8,25	38	35	15
30PNK0600080S2	32	AT10	60	80	19,50	8,25	46	35	15
30PNK0750080S2	50	AT10	75	80	19,50	8,25	62	35	15

SPANPLATEN T / AT TYPE 3
TENSIONING CLAMPS T / AT TYPE 3
SPANNPLATTEN T / AT TYPE 3
PLAQUES DE SERRAGE T / AT TYPE 3

Uitvoering met tapgaten
 Execution with threaded holes

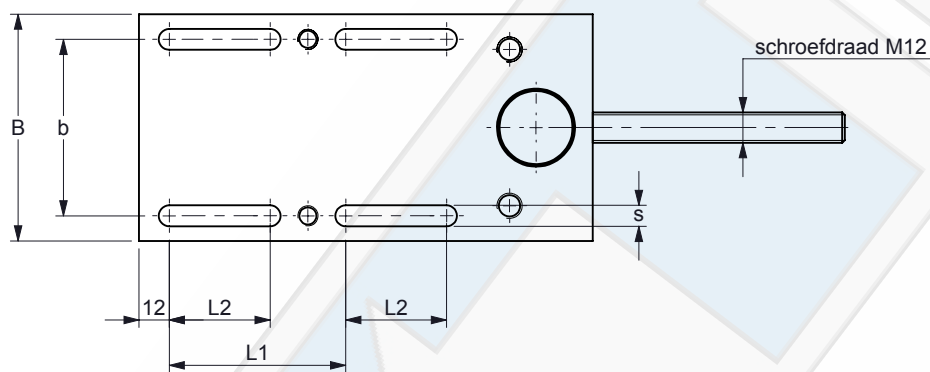
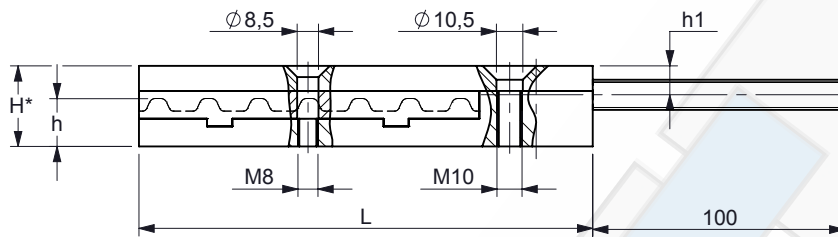
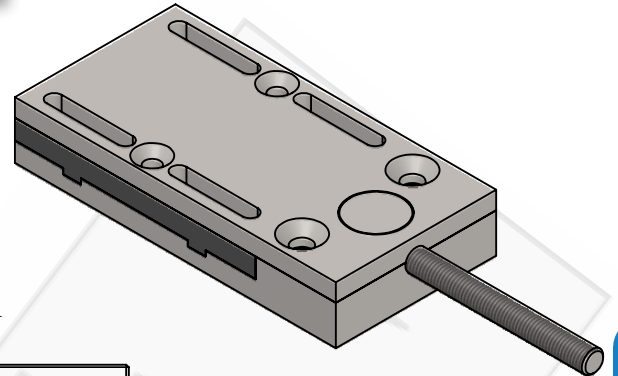


H* = Hoogte inclusief tandriem
 H* = Height including timing belt

K.T.N. Number	Riembreedte Belt width [mm]	Riem type Belt type	B [mm]	L [mm]	H* [mm]	h1 [mm]	b [mm]	L1 [mm]
30PMB0500080S3	25	T5	50	80	18,50	8,25	38	40
30PMB0600080S3	32	T5	60	80	18,50	8,25	46	40
30PMB0750080S3	50	T5	75	80	18,50	8,25	62	40
30PMC0500080S3	25	T10	50	80	19,50	8,25	38	40
30PMC0600080S3	32	T10	60	80	19,50	8,25	46	40
30PMC0750080S3	50	T10	75	80	19,50	8,25	62	40
30PNJ0500080S3	25	AT5	50	80	19,00	8,25	38	40
30PNJ0600080S3	32	AT5	60	80	19,00	8,25	46	40
30PNJ0750080S3	50	AT5	75	80	19,00	8,25	62	40
30PNK0500080S3	25	AT10	50	80	19,50	8,25	38	40
30PNK0600080S3	32	AT10	60	80	19,50	8,25	46	40
30PNK0750080S3	50	AT10	75	80	19,50	8,25	62	40

SPANPLATEN T / AT TYPE 4
TENSIONING CLAMPS T / AT TYPE 4
SPANNPLATTEN T / AT TYPE 4
PLAQUES DE SERRAGE T / AT TYPE 4

Uitvoering met sleuf-, taggaten en inlegstuk
 Execution with slot-, threaded holes and insert

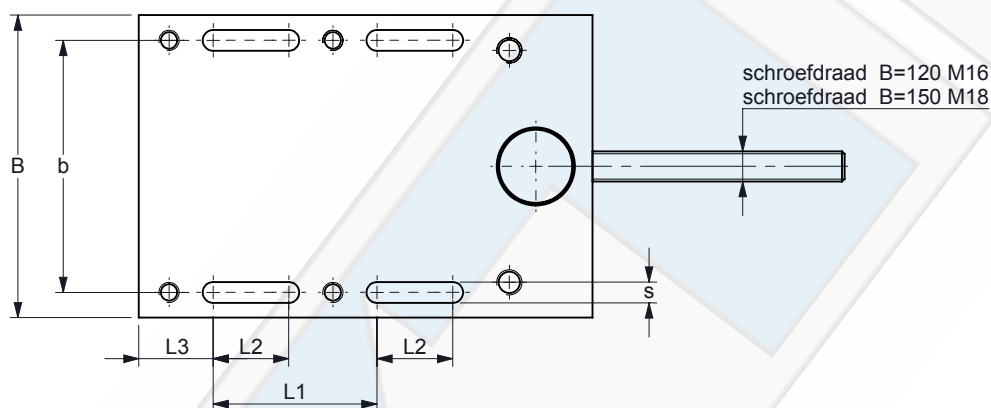
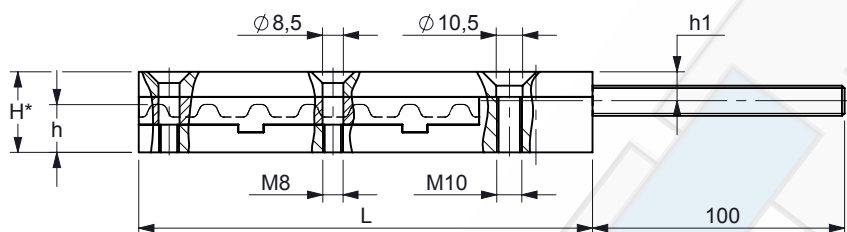
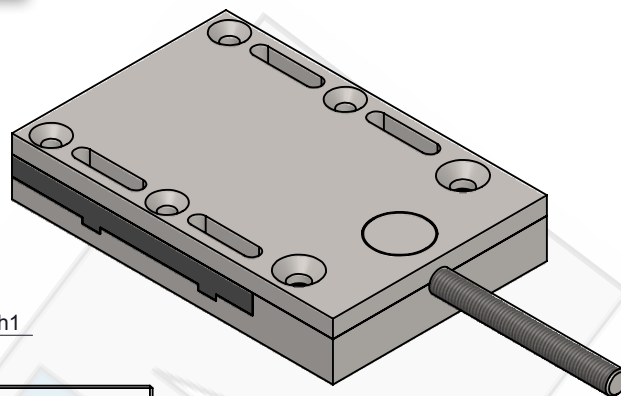


H* = Hoogte inclusief tandriem
 H* = Height including timing belt

K.T.N. Number	Riembreedte Belt width [mm]	Riem type Belt type	B [mm]	L [mm]	H* [mm]	h [mm]	h1 [mm]	b [mm]	L1 [mm]	L2 [mm]
30PMD0900180S4	50	T20	90	180	32	19,08	11,50	70	70	40
30PNL0900180S4	50	AT20	90	180	32	19,08	11,50	70	70	40

SPANPLATEN T / AT TYPE 5
TENSIONING CLAMPS T / AT TYPE 5
SPANNPLATTEN T / AT TYPE 5
PLAQUES DE SERRAGE T / AT TYPE 5

Uitvoering met sleuf-, taggaten en inlegstuk
 Execution with slot-, threaded holes and insert



H* = Hoogte inclusief tandriem
 H* = Height including timing belt

K.T.N. Number	Riembreedte Belt width [mm]	Riem type Belt type	B [mm]	L [mm]	H* [mm]	h [mm]	h1 [mm]	b [mm]	L1 [mm]	L2 [mm]	L3 [mm]
30PNK1200180S5	75	AT10	120	180	33	13,50	13,50	97	65	30	29,50
30PNK1500200S5	100	AT10	150	200	42	16,50	16,50	124	72	30	35,00
30PMD1200180S5	75	T20	120	180	33	13,50	13,50	97	65	30	29,50
30PMD1500200S5	100	T20	150	200	42	16,50	16,50	124	72	30	35,00
30PNL1200180S5	75	AT20	120	180	33	13,50	13,50	97	65	30	29,50
30PNL1500200S5	100	AT20	150	200	42	16,50	16,50	124	72	30	35,00