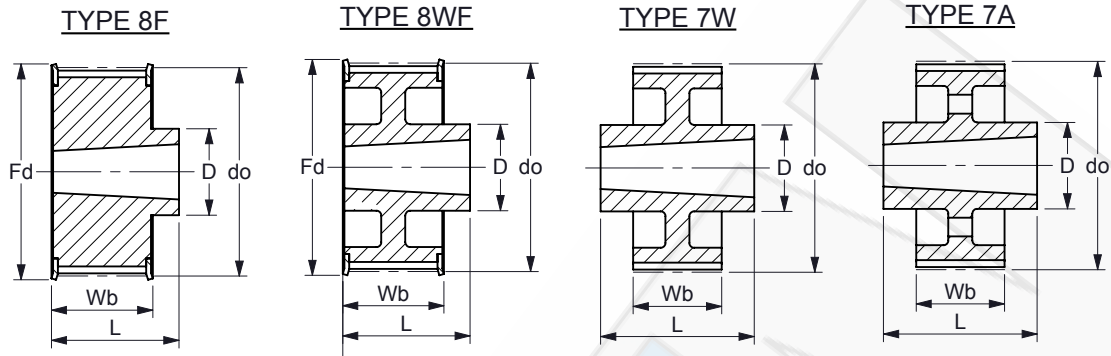


TANDRIEMPOELIES L 050
TIMING BELT PULLEYS L 050
ZAHNRIEMENSCHLEIBEN L 050
POULIES DENTÉES L 050

Taperlock uitvoering
 Taperlock execution

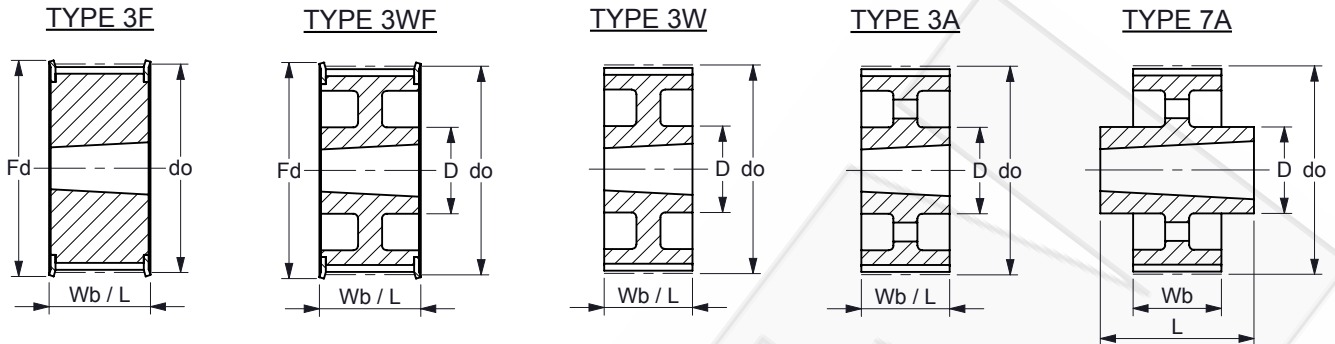


K.T.N. Number	z	type	p		belt width [mm]	Bush	do [mm]	Fd [mm]	Wb [mm]	L [mm]	D [mm]	q ca. [kg/pc]	Mat.	
			[inch]	[mm]										
30KIC0500180	18	L050	8F	3/8	9,525	12,7	1108	54,57	60,0	19,0	22	45	0,20	Steel
30KIC0500190	19	L050	8F	3/8	9,525	12,7	1108	57,61	64,0	19,0	22	45	0,20	Steel
30KIC0500200	20	L050	8F	3/8	9,525	12,7	1108	60,64	66,0	19,0	22	48	0,20	Steel
30KIC0500210	21	L050	8F	3/8	9,525	12,7	1108	63,67	70,0	19,0	22	48	0,30	Steel
30KIC0500220	22	L050	8F	3/8	9,525	12,7	1108	66,70	75,0	19,0	22	51	0,30	Steel
30KIC0500230	23	L050	8F	3/8	9,525	12,7	1108	69,73	79,0	19,0	22	54	0,40	Steel
30KIC0500240	24	L050	8F	3/8	9,525	12,7	1108	72,77	79,0	19,0	22	54	0,40	Steel
30KIC0500250	25	L050	8F	3/8	9,525	12,7	1108	75,80	83,0	19,0	22	56	0,50	Steel
30KIC0500260	26	L050	8F	3/8	9,525	12,7	1108	78,83	87,0	19,0	22	60	0,50	Steel
30KIC0500270	27	L050	8F	3/8	9,525	12,7	1108	81,86	87,0	19,0	22	62	0,60	Steel
30KIC0500280	28	L050	8F	3/8	9,525	12,7	1108	84,89	91,0	19,0	22	65	0,60	Steel
30KIC0500300	30	L050	8F	3/8	9,525	12,7	1108	90,96	97,0	19,0	22	70	0,80	Steel
30KIC0500320	32	L050	8F	3/8	9,525	12,7	1108	97,02	102,0	19,0	22	74	0,90	Steel
30KIC0500360	36	L050	8F	3/8	9,525	12,7	1108	109,15	115,0	19,0	22	85	1,20	Steel
30KIC0500400	40	L050	8F	3/8	9,525	12,7	1610	121,28	128,0	19,0	25	88	1,50	Steel
30KIC0500440	44	L050	8WF	3/8	9,525	12,7	1610	133,40	142,0	19,0	25	88	1,80	Steel
30KIC0500480	48	L050	8WF	3/8	9,525	12,7	1610	145,53	150,0	19,0	25	88	2,30	Steel
30KIC0500600	60	L050	7W	3/8	9,525	12,7	1610	181,91	-	19,0	25	92	2,00	Steel
30KIC0500720	72	L050	7A	3/8	9,525	12,7	1610	218,30	-	19,0	25	92	3,00	Cast Iron
30KIC0500840	84	L050	7A	3/8	9,525	12,7	1610	254,68	-	19,0	25	92	4,00	Cast Iron
30KIC0500960	96	L050	7A	3/8	9,525	12,7	2012	291,06	-	19,0	32	106	5,50	Cast Iron
30KIC0501200	120	L050	7A	3/8	9,525	12,7	2012	363,83	-	19,0	32	106	6,80	Cast Iron

Ook leverbaar in klantspecifieke uitvoering
 Also available with customized applications

TANDRIEMPOELIES L 075
TIMING BELT PULLEYS L 075
ZAHNRIEMENSCHLEIBEN L 075
POULIES DENTÉES L 075

Taperlock uitvoering
 Taperlock execution

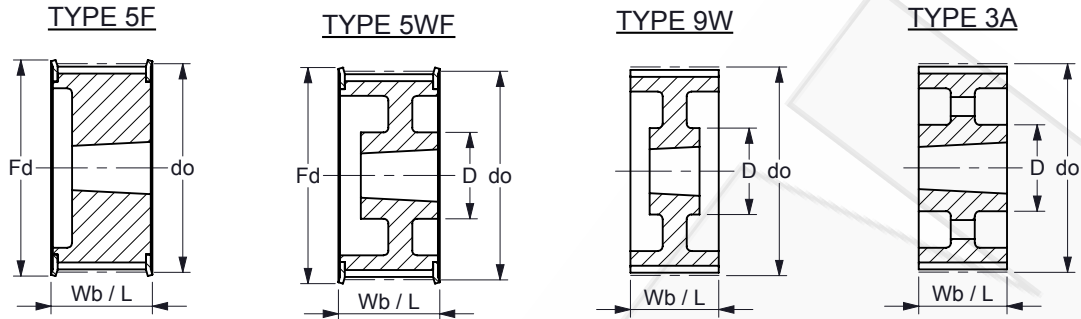


K.T.N. Number	z	type	p		belt width [mm]	Bush	do [mm]	Fd [mm]	Wb [mm]	L [mm]	D [mm]	q ca. [kg/pc]	Mat.
			[inch]	[mm]									
30KIC0750180	18	L075 3F	3/8	9,525	19,05	1108	54,57	60,0	25,0	25	-	0,20	Steel
30KIC0750190	19	L075 3F	3/8	9,525	19,05	1108	57,61	64,0	25,0	25	-	0,30	Steel
30KIC0750200	20	L075 3F	3/8	9,525	19,05	1108	60,64	66,0	25,0	25	-	0,30	Steel
30KIC0750210	21	L075 3F	3/8	9,525	19,05	1108	63,67	70,0	25,0	25	-	0,40	Steel
30KIC0750220	22	L075 3F	3/8	9,525	19,05	1108	66,70	75,0	25,0	25	-	0,40	Steel
30KIC0750230	23	L075 3F	3/8	9,525	19,05	1108	69,73	79,0	25,0	25	-	0,40	Steel
30KIC0750240	24	L075 3F	3/8	9,525	19,05	1108	72,77	79,0	25,0	25	-	0,50	Steel
30KIC0750250	25	L075 3F	3/8	9,525	19,05	1108	75,80	83,0	25,0	25	-	0,60	Steel
30KIC0750260	26	L075 3F	3/8	9,525	19,05	1108	78,83	87,0	25,0	25	-	0,60	Steel
30KIC0750270	27	L075 3F	3/8	9,525	19,05	1108	81,86	87,0	25,0	25	-	0,70	Steel
30KIC0750280	28	L075 3F	3/8	9,525	19,05	1108	84,89	91,0	25,0	25	-	0,70	Steel
30KIC0750300	30	L075 3F	3/8	9,525	19,05	1108	90,96	97,0	25,0	25	-	0,90	Steel
30KIC0750320	32	L075 3F	3/8	9,525	19,05	1108	97,02	102,0	25,0	25	-	1,00	Steel
30KIC0750360	36	L075 3F	3/8	9,525	19,05	1610	109,15	115,0	25,0	25	-	1,20	Steel
30KIC0750400	40	L075 3F	3/8	9,525	19,05	1610	121,28	128,0	25,0	25	-	1,70	Steel
30KIC0750440	44	L075 3WF	3/8	9,525	19,05	1610	133,40	142,0	25,0	25	90	2,10	Steel
30KIC0750480	48	L075 3WF	3/8	9,525	19,05	1610	145,53	150,0	25,0	25	92	2,50	Steel
30KIC0750600	60	L075 3W	3/8	9,525	19,05	1610	181,91	-	25,0	25	92	3,00	Steel
30KIC0750720	72	L075 3A	3/8	9,525	19,05	1610	218,30	-	25,0	25	92	4,00	Cast Iron
30KIC0750840	84	L075 7A	3/8	9,525	19,05	2012	254,68	-	25,0	32	92	5,20	Cast Iron
30KIC0750960	96	L075 7A	3/8	9,525	19,05	2012	291,06	-	25,0	32	106	6,50	Cast Iron
30KIC0751200	120	L075 7A	3/8	9,525	19,05	2012	363,83	-	25,0	32	106	7,60	Cast Iron

Ook leverbaar in klantspecifieke uitvoering
 Also available with customized applications

TANDRIEMPOELIES L 100
TIMING BELT PULLEYS L 100
ZAHNRIEMENSCHLEIBEN L 100
POULIES DENTÉES L 100

Taperlock uitvoering
 Taperlock execution

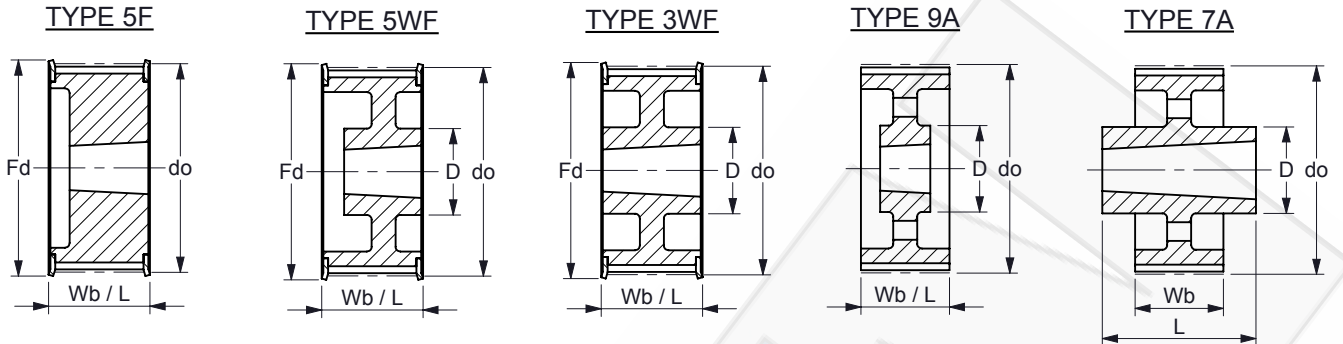


K.T.N. Number	z	type	p		belt width [mm]	Bush	do [mm]	Fd [mm]	Wb [mm]	L [mm]	D [mm]	q ca. [kg/pc]	Mat.
			[inch]	[mm]									
30KIC1000180	18	L100 5F	3/8	9,525	12,7	1108	54,57	60	31,0	31	-	0,20	Steel
30KIC1000190	19	L100 5F	3/8	9,525	12,7	1108	57,61	64	31,0	31	-	0,30	Steel
30KIC1000200	20	L100 5F	3/8	9,525	12,7	1108	60,64	66	31,0	31	-	0,40	Steel
30KIC1000210	21	L100 5F	3/8	9,525	12,7	1108	63,67	70	31,0	31	-	0,40	Steel
30KIC1000220	22	L100 5F	3/8	9,525	12,7	1108	66,70	75	31,0	31	-	0,40	Steel
30KIC1000230	23	L100 5F	3/8	9,525	12,7	1108	69,73	79	32,0	32	-	0,50	Steel
30KIC1000240	24	L100 5F	3/8	9,525	12,7	1108	72,77	79	32,0	32	-	0,60	Steel
30KIC1000250	25	L100 5F	3/8	9,525	12,7	1108	75,80	83	32,0	32	-	0,60	Steel
30KIC1000260	26	L100 5F	3/8	9,525	12,7	1108	78,83	87	32,0	32	-	0,70	Steel
30KIC1000270	27	L100 5F	3/8	9,525	12,7	1108	81,86	91	32,0	32	-	0,80	Steel
30KIC1000280	28	L100 5F	3/8	9,525	12,7	1108	84,89	91	32,0	32	-	0,80	Steel
30KIC1000300	30	L100 5F	3/8	9,525	12,7	1210	90,96	97	32,0	32	-	0,90	Steel
30KIC1000320	32	L100 5F	3/8	9,525	12,7	1210	97,02	102	32,0	32	-	1,00	Steel
30KIC1000360	36	L100 5F	3/8	9,525	12,7	1610	109,15	115	32,0	32	-	1,40	Steel
30KIC1000400	40	L100 5F	3/8	9,525	12,7	1610	121,28	128	32,0	32	-	1,70	Steel
30KIC1000440	44	L100 5WF	3/8	9,525	12,7	1610	133,40	142	32,0	32	90	2,30	Steel
30KIC1000480	48	L100 5WF	3/8	9,525	12,7	1610	145,53	150	32,0	32	92	2,70	Steel
30KIC1000600	60	L100 9W	3/8	9,525	12,7	1610	181,91	-	32,0	32	92	3,38	Steel
30KIC1000720	72	L100 3A	3/8	9,525	12,7	2012	218,30	-	32,0	32	92	4,40	Cast Iron
30KIC1000840	84	L100 3A	3/8	9,525	12,7	2012	254,68	-	32,0	32	92	6,00	Cast Iron
30KIC1000960	96	L100 3A	3/8	9,525	12,7	2012	291,06	-	32,0	32	106	7,10	Cast Iron
30KIC1001200	120	L100 3A	3/8	9,525	12,7	2012	363,83	-	32,0	32	106	8,50	Cast Iron

Ook leverbaar in klantspecifieke uitvoering
 Also available with customized applications

TANDRIEMPOELIES H 100
TIMING BELT PULLEYS H 100
ZAHNRIEMENSCHLEIBEN H 100
POULIES DENTÉES H 100

Taperlock uitvoering
 Taperlock execution

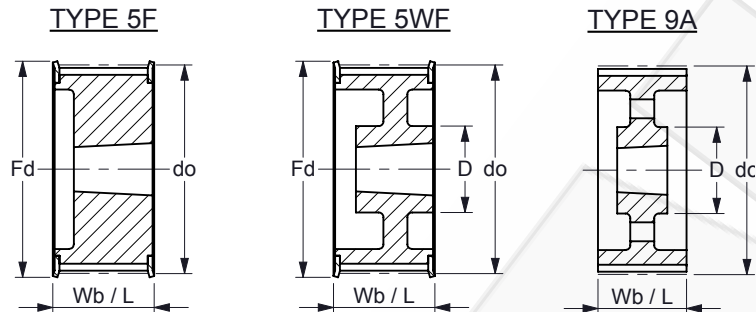


K.T.N. Number	z	type		p		belt width [mm]	Bush	do [mm]	Fd [mm]	Wb [mm]	L [mm]	D [mm]	q ca. [kg/pc]	Mat.
				[inch]	[mm]									
30KID1000160	16	H100	5F	1/2	12,7	25,4	1108	64,68	70,0	31,0	31	-	0,40	Steel
30KID1000180	18	H100	5F	1/2	12,7	25,4	1210	72,77	79,0	31,0	31	-	0,50	Steel
30KID1000190	19	H100	5F	1/2	12,7	25,4	1210	76,81	83,0	31,0	31	-	0,60	Steel
30KID1000200	20	H100	5F	1/2	12,7	25,4	1210	80,55	87,0	31,0	31	-	0,70	Steel
30KID1000210	21	H100	5F	1/2	12,7	25,4	1210	84,89	91,0	32,0	32	-	0,80	Steel
30KID1000220	22	H100	5F	1/2	12,7	25,4	1210	88,94	93,0	32,0	32	-	0,90	Steel
30KID1000230	23	H100	5F	1/2	12,7	25,4	1610	92,98	97,0	32,0	32	-	0,90	Steel
30KID1000240	24	H100	5F	1/2	12,7	25,4	1610	97,02	102,0	32,0	32	-	1,00	Steel
30KID1000250	25	H100	5F	1/2	12,7	25,4	1610	101,06	106,0	32,0	32	-	1,00	Steel
30KID1000260	26	H100	5F	1/2	12,7	25,4	1610	105,11	112,0	32,0	32	-	1,20	Steel
30KID1000270	27	H100	5F	1/2	12,7	25,4	1610	109,15	115,0	32,0	32	-	1,30	Steel
30KID1000280	28	H100	5F	1/2	12,7	25,4	1610	113,19	120,0	32,0	32	-	1,50	Steel
30KID1000300	30	H100	5F	1/2	12,7	25,4	1610	121,28	128,0	32,0	32	-	1,70	Steel
30KID1000320	32	H100	5WF	1/2	12,7	25,4	1610	129,36	135,0	32,0	32	80	2,00	Steel
30KID1000360	36	H100	5WF	1/2	12,7	25,4	1610	145,53	150,0	32,0	32	92	2,70	Steel
30KID1000400	40	H100	5WF	1/2	12,7	25,4	1610	161,70	168,0	32,0	32	92	3,60	Steel
30KID1000440	44	H100	3WF	1/2	12,7	25,4	2012	177,87	184,0	32,0	32	106	3,80	Steel
30KID1000480	48	H100	3WF	1/2	12,7	25,4	2012	194,04	200,0	32,0	32	106	4,05	Steel
30KID1000600	60	H100	9A	1/2	12,7	25,4	2012	242,55	-	34,0	34	92	4,80	Cast Iron
30KID1000720	72	H100	9A	1/2	12,7	25,4	2012	291,06	-	34,0	34	92	5,70	Cast Iron
30KID1000840	84	H100	9A	1/2	12,7	25,4	2012	339,57	-	34,0	45	92	6,80	Cast Iron
30KID1000960	96	H100	7A	1/2	12,7	25,4	2517	388,08	-	34,0	45	106	8,20	Cast Iron
30KID1001200	120	H100	7A	1/2	12,7	25,4	2517	485,10	-	34,0	45	106	12,10	Cast Iron

Ook leverbaar in klantspecifieke uitvoering
 Also available with customized applications

TANDRIEMPOELIES H 150
TIMING BELT PULLEYS H 150
ZAHNRIEMENSCHLEIBEN H 150
POULIES DENTÉES H 150

Taperlock uitvoering
 Taperlock execution

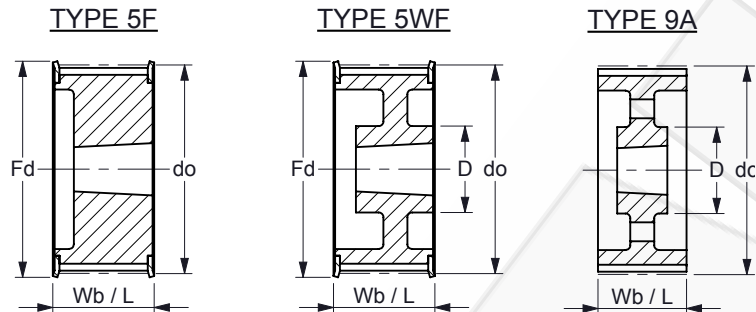


K.T.N. Number	z	type	p		belt width [mm]	Bush	do [mm]	Fd [mm]	Wb [mm]	L [mm]	D [mm]	q ca. [kg/pc]	Mat.
			[inch]	[mm]									
30KID1500180	18	H150 5F	1/2	12,7	38,1	1210	72,77	79,0	45,0	45	-	0,60	Steel
30KID1500190	19	H150 5F	1/2	12,7	38,1	1210	76,81	83,0	45,0	45	-	0,70	Steel
30KID1500200	20	H150 5F	1/2	12,7	38,1	1210	80,55	87,0	45,0	45	-	0,80	Steel
30KID1500210	21	H150 5F	1/2	12,7	38,1	1210	84,89	91,0	45,0	45	-	1,00	Steel
30KID1500220	22	H150 5F	1/2	12,7	38,1	1210	88,94	93,0	45,0	45	-	1,20	Steel
30KID1500230	23	H150 5F	1/2	12,7	38,1	1610	92,98	97,0	45,0	45	-	1,30	Steel
30KID1500240	24	H150 5F	1/2	12,7	38,1	1610	97,02	102,0	45,0	45	-	1,00	Steel
30KID1500250	25	H150 5F	1/2	12,7	38,1	1610	101,06	106,0	45,0	45	-	1,20	Steel
30KID1500260	26	H150 5F	1/2	12,7	38,1	1610	105,11	112,0	45,0	45	-	1,40	Steel
30KID1500270	27	H150 5F	1/2	12,7	38,1	1610	109,15	115,0	45,0	45	-	1,60	Steel
30KID1500280	28	H150 5F	1/2	12,7	38,1	1610	113,19	120,0	45,0	45	-	1,80	Steel
30KID1500300	30	H150 5F	1/2	12,7	38,1	1610	121,28	128,0	45,0	45	-	2,30	Steel
30KID1500320	32	H150 5WF	1/2	12,7	38,1	1610	129,36	135,0	45,0	45	80	2,30	Steel
30KID1500360	36	H150 5WF	1/2	12,7	38,1	1610	145,53	150,0	45,0	45	92	3,10	Steel
30KID1500400	40	H150 5WF	1/2	12,7	38,1	1610	161,70	168,0	45,0	45	92	4,00	Steel
30KID1500440	44	H150 5WF	1/2	12,7	38,1	2012	177,87	184,0	45,0	45	106	4,40	Steel
30KID1500480	48	H150 5WF	1/2	12,7	38,1	2012	194,04	200,0	45,0	45	106	4,80	Steel
30KID1500600	60	H150 9A	1/2	12,7	38,1	2012	242,55	-	46,0	46	92	5,40	Cast Iron
30KID1500720	72	H150 9A	1/2	12,7	38,1	2012	291,06	-	46,0	46	92	6,50	Cast Iron
30KID1500840	84	H150 9A	1/2	12,7	38,1	2012	339,57	-	46,0	46	92	8,40	Cast Iron
30KID1500960	96	H150 9A	1/2	12,7	38,1	2517	388,08	-	46,0	46	106	11,00	Cast Iron
30KID1501200	120	H150 9A	1/2	12,7	38,1	2517	485,10	-	46,0	46	106	14,80	Cast Iron

Ook leverbaar in klantspecifieke uitvoering
 Also available with customized applications

TANDRIEMPOELIES H 200
TIMING BELT PULLEYS H 200
ZAHNRIEMENSCHLEIBEN H 200
POULIES DENTÉES H 200

Taperlock uitvoering
 Taperlock execution

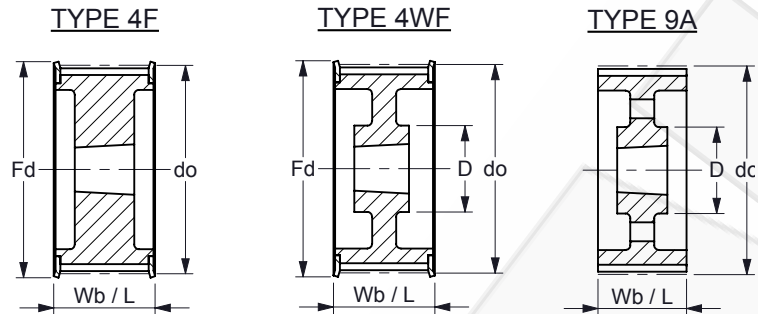


K.T.N. Number	z	type		p		belt width [mm]	Bush	do [mm]	Fd [mm]	Wb [mm]	L [mm]	D [mm]	q ca. [kg/pc]	Mat.
				[inch]	[mm]									
30KID2000180	18	H200	5F	1/2	12,7	50,8	1210	72,77	79,0	58,0	58	-	0,80	Steel
30KID2000190	19	H200	5F	1/2	12,7	50,8	1210	76,81	83,0	58,0	58	-	0,90	Steel
30KID2000200	20	H200	5F	1/2	12,7	50,8	1610	80,55	87,0	58,0	58	-	1,00	Steel
30KID2000210	21	H200	5F	1/2	12,7	50,8	1610	84,89	91,0	58,0	58	-	1,70	Steel
30KID2000220	22	H200	5F	1/2	12,7	50,8	1610	88,94	93,0	58,0	58	-	1,75	Steel
30KID2000230	23	H200	5F	1/2	12,7	50,8	1610	92,98	97,0	58,0	58	-	1,80	Steel
30KID2000240	24	H200	5F	1/2	12,7	50,8	1610	97,02	102,0	58,0	58	-	1,80	Steel
30KID2000250	25	H200	5F	1/2	12,7	50,8	1610	101,06	106,0	58,0	58	-	1,80	Steel
30KID2000260	26	H200	5F	1/2	12,7	50,8	1610	105,11	112,0	58,0	58	-	1,80	Steel
30KID2000270	27	H200	5F	1/2	12,7	50,8	1610	109,15	115,0	58,0	58	-	1,90	Steel
30KID2000280	28	H200	5F	1/2	12,7	50,8	1610	113,19	120,0	58,0	58	-	1,90	Steel
30KID2000300	30	H200	5F	1/2	12,7	50,8	1610	121,28	128,0	58,0	58	-	2,30	Steel
30KID2000320	32	H200	5F	1/2	12,7	50,8	2012	129,36	135,0	58,0	58	-	3,00	Steel
30KID2000360	36	H200	5WF	1/2	12,7	50,8	2012	145,53	150,0	58,0	58	102	3,00	Steel
30KID2000400	40	H200	5WF	1/2	12,7	50,8	2012	161,70	168,0	58,0	58	106	3,60	Steel
30KID2000440	44	H200	5WF	1/2	12,7	50,8	2012	177,87	184,0	58,0	58	106	4,00	Steel
30KID2000480	48	H200	5WF	1/2	12,7	50,8	2517	194,04	200,0	58,0	58	119	4,60	Steel
30KID2000600	60	H200	9A	1/2	12,7	50,8	2517	242,55	-	60,0	60	119	7,00	Cast Iron
30KID2000720	72	H200	9A	1/2	12,7	50,8	2517	291,06	-	60,0	60	119	8,00	Cast Iron
30KID2000840	84	H200	9A	1/2	12,7	50,8	2517	339,57	-	60,0	60	119	9,00	Cast Iron
30KID2000960	96	H200	9A	1/2	12,7	50,8	2517	388,08	-	60,0	60	119	10,00	Cast Iron
30KID2001200	120	H200	9A	1/2	12,7	50,8	2517	485,10	-	60,0	60	119	13,40	Cast Iron

Ook leverbaar in klantspecifieke uitvoering
 Also available with customized applications

TANDRIEMPOELIES H 300
TIMING BELT PULLEYS H 300
ZAHNRIEMENSCHLEIBEN H 300
POULIES DENTÉES H 300

Taperlock uitvoering
 Taperlock execution

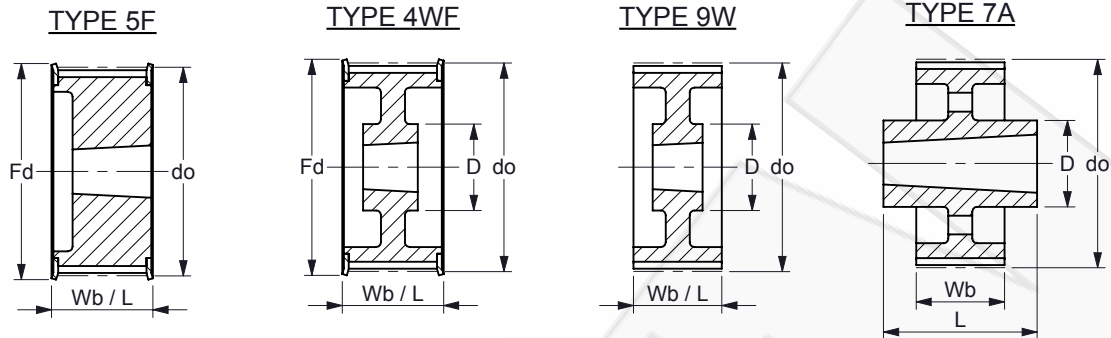


K.T.N. Number	z	type	p		belt width [mm]	Bush	do [mm]	Fd [mm]	Wb [mm]	L [mm]	D [mm]	q ca. [kg/pc]	Mat.
			[inch]	[mm]									
30KID3000200	20	H300 4F	1/2	12,7	76,2	1615	80,85	87,0	84,0	84	-	1,50	Steel
30KID3000210	21	H300 4F	1/2	12,7	76,2	1615	84,89	91,0	84,0	84	-	1,55	Steel
30KID3000220	22	H300 4F	1/2	12,7	76,2	1615	88,94	93,0	84,0	84	-	1,60	Steel
30KID3000230	23	H300 4F	1/2	12,7	76,2	1615	92,98	97,0	84,0	84	-	1,80	Steel
30KID3000240	24	H300 4F	1/2	12,7	76,2	1615	97,02	102,0	84,0	84	-	2,00	Steel
30KID3000250	25	H300 4F	1/2	12,7	76,2	1615	101,06	106,0	84,0	84	-	2,00	Steel
30KID3000260	26	H300 4F	1/2	12,7	76,2	1615	105,11	112,0	84,0	84	-	2,70	Steel
30KID3000270	27	H300 4F	1/2	12,7	76,2	2012	109,15	115,0	84,0	84	-	3,00	Steel
30KID3000280	28	H300 4F	1/2	12,7	76,2	2012	113,19	120,0	84,0	84	-	2,40	Steel
30KID3000300	30	H300 4F	1/2	12,7	76,2	2012	121,28	128,0	84,0	84	-	2,90	Steel
30KID3000320	32	H300 4F	1/2	12,7	76,2	2517	129,36	135,0	84,0	84	-	3,30	Steel
30KID3000360	36	H300 4F	1/2	12,7	76,2	2517	145,53	150,0	84,0	84	-	4,50	Steel
30KID3000400	40	H300 4F	1/2	12,7	76,2	2517	161,70	168,0	84,0	84	-	6,00	Steel
30KID3000440	44	H300 4WF	1/2	12,7	76,2	2517	177,87	184,0	84,0	86	119	6,60	Steel
30KID3000480	48	H300 4WF	1/2	12,7	76,2	2517	194,04	200,0	84,0	86	119	7,60	Steel
30KID3000600	60	H300 9A	1/2	12,7	76,2	2517	242,55	-	86,0	86	119	8,40	Cast Iron
30KID3000720	72	H300 9A	1/2	12,7	76,2	2517	291,06	-	86,0	86	119	10,40	Cast Iron
30KID3000840	84	H300 9A	1/2	12,7	76,2	2517	339,57	-	86,0	86	119	12,50	Cast Iron
30KID3000960	96	H300 9A	1/2	12,7	76,2	3030	388,08	-	86,0	86	150	14,20	Cast Iron
30KID3001200	120	H300 9A	1/2	12,7	76,2	3030	485,10	-	86,0	86	150	18,80	Cast Iron

Ook leverbaar in klantspecifieke uitvoering
 Also available with customized applications

TANDRIEMPOELIES XH 200
TIMING BELT PULLEYS XH 200
ZAHNRIEMENSCHLEIBEN XH 200
POULIES DENTÉES XH 200

Taperlock uitvoering
 Taperlock execution

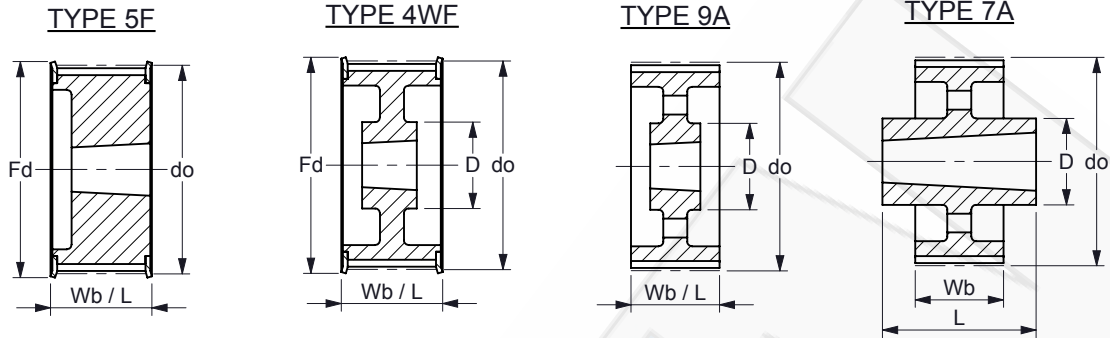


K.T.N. Number	z	type	p		belt width [mm]	Bush	do [mm]	Fd [mm]	Wb [mm]	L [mm]	D [mm]	q ca. [kg/pc]	Mat.
			[inch]	[mm]									
30KIE2000180	18	XH200 5F	7/8	22,225	50,8	2517	127,34	140,0	64,0	65	-	2,60	Cast Iron
30KIE2000200	20	XH200 5F	7/8	22,225	50,8	2517	141,49	154,0	64,0	65	-	3,60	Cast Iron
30KIE2000220	22	XH200 5F	7/8	22,225	50,8	2517	155,64	168,0	64,0	65	-	4,80	Cast Iron
30KIE2000240	24	XH200 5F	7/8	22,225	50,8	2517	169,79	184,0	64,0	65	-	6,10	Cast Iron
30KIE2000260	26	XH200 5F	7/8	22,225	50,8	2517	183,94	200,0	64,0	65	-	7,40	Cast Iron
30KIE2000280	28	XH200 4WF	7/8	22,225	50,8	2517	198,08	212,0	64,0	65	120	9,00	Cast Iron
30KIE2000300	30	XH200 4WF	7/8	22,225	50,8	2517	212,23	226,0	64,0	65	120	8,60	Cast Iron
30KIE2000320	32	XH200 4WF	7/8	22,225	50,8	2517	226,38	240,0	64,0	65	120	9,80	Cast Iron
30KIE2000400	40	XH200 4WF	7/8	22,225	50,8	3020	282,98	296,0	64,0	65	160	13,30	Cast Iron
30KIE2000480	48	XH200 9W	7/8	22,225	50,8	3020	339,57	-	64,0	65	160	19,00	Cast Iron
30KIE2000600	60	XH200 7A	7/8	22,225	50,8	3535	424,47	-	64,0	89	190	22,00	Cast Iron
30KIE2000720	72	XH200 7A	7/8	22,225	50,8	3535	509,40	-	64,0	89	190	26,00	Cast Iron
30KIE2000840	84	XH200 7A	7/8	22,225	50,8	3535	594,25	-	64,0	89	190	29,00	Cast Iron
30KIE2000960	96	XH200 7A	7/8	22,225	50,8	3535	679,15	-	64,0	89	190	34,00	Cast Iron
30KIE2001200	120	XH200 7A	7/8	22,225	50,8	3535	848,93	-	64,0	89	190	47,00	Cast Iron

Ook leverbaar in klantspecifieke uitvoering
 Also available with customized applications

TANDRIEMPOELIES XH 300
TIMING BELT PULLEYS XH 300
ZAHNRIEMENSCHLEIBEN XH 300
POULIES DENTÉES XH 300

Taperlock uitvoering
 Taperlock execution

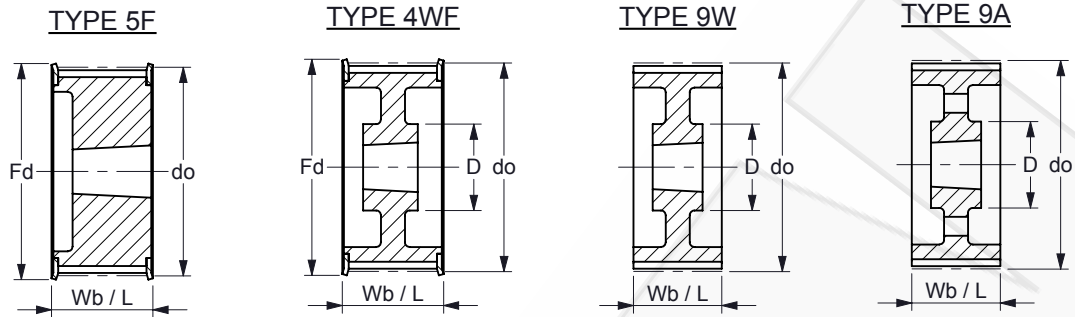


K.T.N. Number	z	type	p		belt width [mm]	Bush	do [mm]	Fd [mm]	Wb [mm]	L [mm]	D [mm]	q ca. [kg/pc]	Mat.
			[inch]	[mm]									
30KIE3000180	18	XH300 5F	7/8	22,225	76,2	2517	127,34	140,0	90,0	92	-	3,70	Cast Iron
30KIE3000200	20	XH300 5F	7/8	22,225	76,2	2517	141,49	154,0	90,0	92	-	4,70	Cast Iron
30KIE3000220	22	XH300 5F	7/8	22,225	76,2	2517	155,64	168,0	90,0	92	-	6,00	Cast Iron
30KIE3000240	24	XH300 5F	7/8	22,225	76,2	2517	169,79	184,0	90,0	92	-	7,60	Cast Iron
30KIE3000260	26	XH300 5F	7/8	22,225	76,2	2517	183,94	200,0	90,0	92	-	11,60	Cast Iron
30KIE3000280	28	XH300 5F	7/8	22,225	76,2	3020	198,08	212,0	90,0	92	120	9,80	Cast Iron
30KIE3000300	30	XH300 5F	7/8	22,225	76,2	3020	212,23	226,0	90,0	92	120	11,90	Cast Iron
30KIE3000320	32	XH300 5F	7/8	22,225	76,2	3020	226,38	240,0	90,0	92	120	13,80	Cast Iron
30KIE3000400	40	XH300 4WF	7/8	22,225	76,2	3020	282,98	296,0	90,0	92	160	19,50	Cast Iron
30KIE3000480	48	XH300 9A	7/8	22,225	76,2	3020	339,57	-	90,0	92	160	27,00	Cast Iron
30KIE3000600	60	XH300 9A	7/8	22,225	76,2	3535	424,47	-	90,0	92	190	28,00	Cast Iron
30KIE3000720	72	XH300 9A	7/8	22,225	76,2	3535	509,40	-	90,0	92	190	33,00	Cast Iron
30KIE3000840	84	XH300 7A	7/8	22,225	76,2	4040	594,25	-	90,0	102	190	46,00	Cast Iron
30KIE3000960	96	XH300 7A	7/8	22,225	76,2	4040	679,15	-	90,0	102	190	51,00	Cast Iron
30KIE3001200	120	XH300 7A	7/8	22,225	76,2	4040	848,93	-	90,0	102	190	67,00	Cast Iron

Ook leverbaar in klantspecifieke uitvoering
 Also available with customized applications

TANDRIEMPOELIES XH 400
TIMING BELT PULLEYS XH 400
ZAHNRIEMENSCHLEIBEN XH 400
POULIES DENTÉES XH 400

Taperlock uitvoering
 Taperlock execution



K.T.N. Number	z	type	p		belt width [mm]	Bush	do [mm]	Fd [mm]	Wb [mm]	L [mm]	D [mm]	q ca. [kg/pc]	Mat.
			[inch]	[mm]									
30KIE4000180	18	XH400 5F	7/8	22,225	101,6	2517	127,34	140,0	119,0	119	-	4,60	Cast Iron
30KIE4000200	20	XH400 5F	7/8	22,225	101,6	2517	141,49	154,0	119,0	119	-	6,00	Cast Iron
30KIE4000220	22	XH400 5F	7/8	22,225	101,6	2517	155,64	168,0	119,0	119	-	7,20	Cast Iron
30KIE4000240	24	XH400 5F	7/8	22,225	101,6	3020	169,79	184,0	119,0	119	-	8,40	Cast Iron
30KIE4000260	26	XH400 5F	7/8	22,225	101,6	3020	183,94	200,0	119,0	119	-	10,30	Cast Iron
30KIE4000280	28	XH400 5F	7/8	22,225	101,6	3020	198,08	212,0	119,0	119	120	12,30	Cast Iron
30KIE4000300	30	XH400 5F	7/8	22,225	101,6	3020	212,23	226,0	119,0	119	120	14,30	Cast Iron
30KIE4000320	32	XH400 5F	7/8	22,225	101,6	3020	226,38	240,0	119,0	119	120	19,90	Cast Iron
30KIE4000400	40	XH400 4WF	7/8	22,225	101,6	3535	282,98	296,0	119,0	119	160	24,60	Cast Iron
30KIE4000480	48	XH400 9W	7/8	22,225	101,6	3535	339,57	-	119,0	119	160	30,00	Cast Iron
30KIE4000600	60	XH400 9A	7/8	22,225	101,6	4040	424,47	-	119,0	119	190	40,00	Cast Iron
30KIE4000720	72	XH400 9A	7/8	22,225	101,6	4040	509,40	-	119,0	119	190	47,00	Cast Iron
30KIE4000840	84	XH400 9A	7/8	22,225	101,6	4040	594,25	-	119,0	119	190	52,00	Cast Iron
30KIE4000960	96	XH400 9A	7/8	22,225	101,6	4040	679,15	-	119,0	119	190	62,00	Cast Iron
30KIE4001200	120	XH400 9A	7/8	22,225	101,6	4040	848,93	-	119,0	119	190	81,00	Cast Iron

Ook leverbaar in klantspecifieke uitvoering
 Also available with customized applications