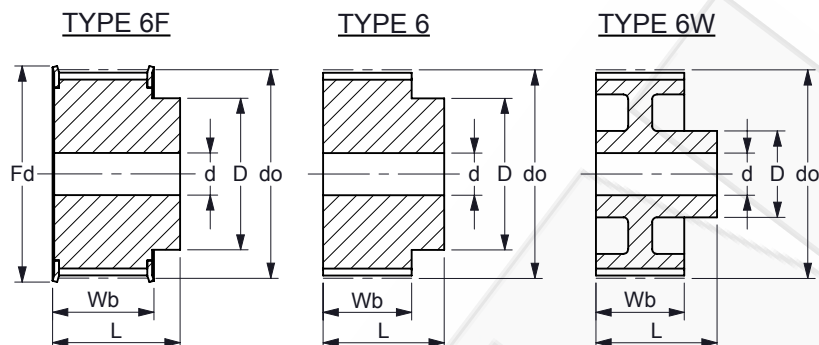


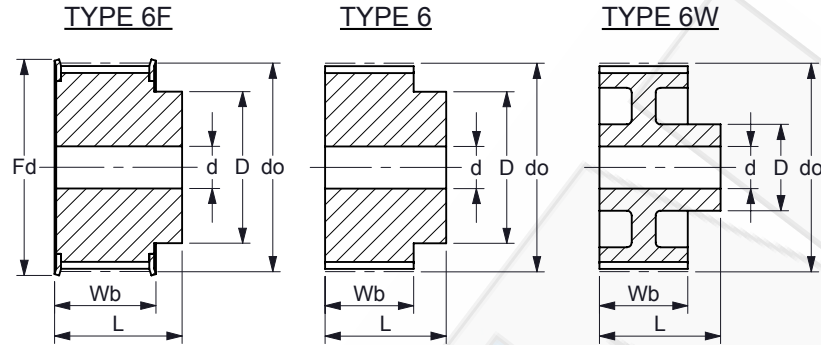
**TANDRIEMPOELIES XL 037**  
**TIMING BELT PULLEYS XL 037**  
**ZAHNRIEMENSCHIBEN XL 037**  
**POULIES COURROIES DENTÉES XL 037**



K.T.N. Number	z	type	p		belt width [mm]	do [mm]	Fd [mm]	Wb [mm]	L [mm]	D [mm]	d [mm]	q ca. [kg/pc]	Mat.
			[inch]	[mm]									
30CIB0370101	10	XL037 6F	1/5	5,08	9,525	16,17	23,0	14,3	20	9,5	4	0,01	Alu
30CIB0370111	11	XL037 6F	1/5	5,08	9,525	17,79	23,0	14,3	20	9,5	4	0,01	Alu
30CIB0370121	12	XL037 6F	1/5	5,08	9,525	19,40	25,0	14,3	20	10,0	4	0,01	Alu
30CIB0370131	13	XL037 6F	1/5	5,08	9,525	21,02	25,0	14,3	20	10,0	4	0,01	Alu
30CIB0370141	14	XL037 6F	1/5	5,08	9,525	22,64	28,0	14,3	20	15,0	4	0,02	Alu
30CIB0370151	15	XL037 6F	1/5	5,08	9,525	24,26	28,0	14,3	20	15,0	6	0,02	Alu
30CIB0370161	16	XL037 6F	1/5	5,08	9,525	25,87	32,0	14,3	20	16,0	6	0,02	Alu
30CIB0370171	17	XL037 6F	1/5	5,08	9,525	27,49	32,0	14,3	20	20,0	6	0,03	Alu
30CIB0370181	18	XL037 6F	1/5	5,08	9,525	29,11	35,0	14,3	20	20,0	6	0,03	Alu
30CIB0370191	19	XL037 6F	1/5	5,08	9,525	30,72	35,0	14,3	22	20,0	6	0,04	Alu
30CIB0370201	20	XL037 6F	1/5	5,08	9,525	32,34	38,0	14,3	22	23,5	6	0,04	Alu
30CIB0370211	21	XL037 6F	1/5	5,08	9,525	33,96	38,0	14,3	22	23,5	6	0,04	Alu
30CIB0370221	22	XL037 6F	1/5	5,08	9,525	35,57	42,0	14,3	22	25,0	6	0,05	Alu
30CIB0370241	24	XL037 6F	1/5	5,08	9,525	38,81	44,0	14,3	22	30,0	6	0,06	Alu
30CIB0370261	26	XL037 6F	1/5	5,08	9,525	42,04	48,0	14,3	22	30,0	8	0,07	Alu
30CIB0370271	27	XL037 6F	1/5	5,08	9,525	43,66	48,0	14,3	22	34,0	8	0,08	Alu
30CIB0370281	28	XL037 6F	1/5	5,08	9,525	45,28	51,0	14,3	22	34,0	8	0,08	Alu
30CIB0370291	29	XL037 6F	1/5	5,08	9,525	46,89	51,0	14,3	22	34,0	8	0,09	Alu
30CIB0370301	30	XL037 6F	1/5	5,08	9,525	48,51	54,0	14,3	22	38,0	8	0,09	Alu
30CIB0370321	32	XL037 6F	1/5	5,08	9,525	51,74	57,0	14,3	25	38,0	8	0,11	Alu
30CIB0370341	34	XL037 6	1/5	5,08	9,525	54,98	-	14,3	25	45,0	8	0,13	Alu
30CIB0370351	35	XL037 6	1/5	5,08	9,525	56,60	-	14,3	25	45,0	8	0,15	Alu
30CIB0370361	36	XL037 6	1/5	5,08	9,525	58,21	-	14,3	25	45,0	8	0,15	Alu
30CIB0370381	38	XL037 6	1/5	5,08	9,525	61,45	-	14,3	25	45,0	8	0,15	Alu
30CIB0370391	39	XL037 6	1/5	5,08	9,525	63,06	-	14,3	25	45,0	8	0,16	Alu
30CIB0370401	40	XL037 6	1/5	5,08	9,525	64,68	-	14,3	25	45,0	8	0,17	Alu
30CIB0370411	41	XL037 6	1/5	5,08	9,525	66,30	-	14,3	25	45,0	8	0,18	Alu
30CIB0370421	42	XL037 6	1/5	5,08	9,525	67,91	-	14,3	25	45,0	8	0,18	Alu
30CIB0370431	43	XL037 6	1/5	5,08	9,525	69,53	-	14,3	25	45,0	8	0,19	Alu
30CIB0370441	44	XL037 6	1/5	5,08	9,525	71,15	-	14,3	25	45,0	8	0,19	Alu
30CIB0370451	45	XL037 6W	1/5	5,08	9,525	72,77	-	14,3	25	45,0	10	0,17	Alu
30CIB0370461	46	XL037 6W	1/5	5,08	9,525	74,38	-	14,3	25	45,0	10	0,18	Alu
30CIB0370471	47	XL037 6W	1/5	5,08	9,525	76,00	-	14,3	25	45,0	10	0,19	Alu
30CIB0370481	48	XL037 6W	1/5	5,08	9,525	77,62	-	14,3	25	45,0	10	0,19	Alu
30CIB0370491	49	XL037 6W	1/5	5,08	9,525	79,23	-	14,3	25	45,0	10	0,21	Alu
30CIB0370521	52	XL037 6W	1/5	5,08	9,525	84,08	-	14,3	25	45,0	10	0,22	Alu
30CIB0370561	56	XL037 6W	1/5	5,08	9,525	90,55	-	14,3	25	45,0	10	0,23	Alu
30CIB0370571	57	XL037 6W	1/5	5,08	9,525	92,17	-	14,3	25	45,0	10	0,23	Alu
30CIB0370581	58	XL037 6W	1/5	5,08	9,525	93,79	-	14,3	25	45,0	10	0,25	Alu
30CIB0370591	59	XL037 6W	1/5	5,08	9,525	95,40	-	14,3	25	45,0	10	0,26	Alu
30CIB0370601	60	XL037 6W	1/5	5,08	9,525	97,02	-	14,3	25	45,0	10	0,27	Alu
30CIB0370681	68	XL037 6W	1/5	5,08	9,525	109,96	-	14,3	25	45,0	10	0,29	Alu
30CIB0370691	69	XL037 6W	1/5	5,08	9,525	111,57	-	14,3	25	45,0	10	0,31	Alu
30CIB0370701	70	XL037 6W	1/5	5,08	9,525	113,19	-	14,3	25	45,0	10	0,31	Alu
30CIB0370711	71	XL037 6W	1/5	5,08	9,525	114,81	-	14,3	25	45,0	10	0,32	Alu
30CIB0370721	72	XL037 6W	1/5	5,08	9,525	116,42	-	14,3	25	45,0	10	0,32	Alu

Ook leverbaar in klantspecifieke uitvoering  
 Also available with customized applications

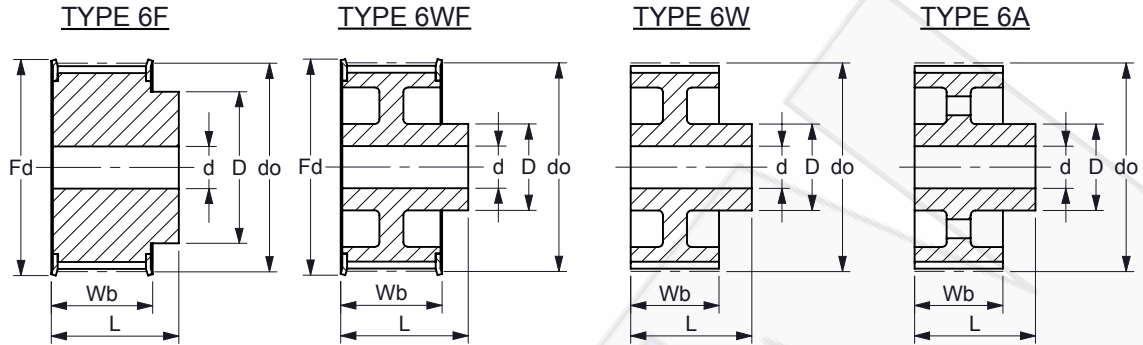
**TANDRIEMPOELIES XL 037**  
**TIMING BELT PULLEYS XL 037**  
**ZAHNRIEMENSCHLEIBEN XL 037**  
**POULIES COURROIES DENTÉES XL 037**



K.T.N. Number	z	type	p		belt width [mm]	do [mm]	Fd [mm]	Wb [mm]	L [mm]	D [mm]	d [mm]	q ca. [kg/pc]	Mat.
			[inch]	[mm]									
30CIB0370100	10	XL037 6F	1/5	5,08	9,525	16,17	23,0	14,3	20	9,5	4	0,02	Steel
30CIB0370110	11	XL037 6F	1/5	5,08	9,525	17,79	23,0	14,3	20	9,5	4	0,03	Steel
30CIB0370120	12	XL037 6F	1/5	5,08	9,525	19,40	25,0	14,3	20	10,0	4	0,03	Steel
30CIB0370130	13	XL037 6F	1/5	5,08	9,525	21,02	25,0	14,3	20	10,0	4	0,04	Steel
30CIB0370140	14	XL037 6F	1/5	5,08	9,525	22,64	28,0	14,3	20	15,0	4	0,05	Steel
30CIB0370150	15	XL037 6F	1/5	5,08	9,525	24,26	28,0	14,3	20	15,0	6	0,05	Steel
30CIB0370160	16	XL037 6F	1/5	5,08	9,525	25,87	32,0	14,3	20	16,0	6	0,07	Steel
30CIB0370170	17	XL037 6F	1/5	5,08	9,525	27,49	32,0	14,3	20	20,0	6	0,07	Steel
30CIB0370180	18	XL037 6F	1/5	5,08	9,525	29,11	35,0	14,3	20	20,0	6	0,08	Steel
30CIB0370190	19	XL037 6F	1/5	5,08	9,525	30,72	35,0	14,3	22	20,0	6	0,09	Steel
30CIB0370200	20	XL037 6F	1/5	5,08	9,525	32,34	38,0	14,3	22	23,5	6	0,11	Steel
30CIB0370210	21	XL037 6F	1/5	5,08	9,525	33,96	38,0	14,3	22	23,5	6	0,12	Steel
30CIB0370220	22	XL037 6F	1/5	5,08	9,525	35,57	42,0	14,3	22	25,0	6	0,13	Steel
30CIB0370240	24	XL037 6F	1/5	5,08	9,525	38,81	44,0	14,3	22	30,0	6	0,16	Steel
30CIB0370260	26	XL037 6F	1/5	5,08	9,525	42,04	48,0	14,3	22	30,0	8	0,18	Steel
30CIB0370270	27	XL037 6F	1/5	5,08	9,525	43,66	48,0	14,3	22	34,0	8	0,20	Steel
30CIB0370280	28	XL037 6F	1/5	5,08	9,525	45,28	51,0	14,3	22	34,0	8	0,21	Steel
30CIB0370290	29	XL037 6F	1/5	5,08	9,525	46,89	51,0	14,3	22	34,0	8	0,22	Steel
30CIB0370300	30	XL037 6	1/5	5,08	9,525	48,51	54,0	14,3	22	38,0	8	0,25	Steel
30CIB0370320	32	XL037 6	1/5	5,08	9,525	51,74	57,0	14,3	25	38,0	8	0,31	Steel
30CIB0370340	34	XL037 6	1/5	5,08	9,525	54,98	-	14,3	25	45,0	8	0,37	Steel
30CIB0370350	35	XL037 6	1/5	5,08	9,525	56,60	-	14,3	25	45,0	8	0,39	Steel
30CIB0370360	36	XL037 6	1/5	5,08	9,525	58,21	-	14,3	25	45,0	8	0,40	Steel
30CIB0370380	38	XL037 6	1/5	5,08	9,525	61,45	-	14,3	25	45,0	8	0,44	Steel
30CIB0370390	39	XL037 6	1/5	5,08	9,525	63,06	-	14,3	25	45,0	8	0,45	Steel
30CIB0370400	40	XL037 6	1/5	5,08	9,525	64,68	-	14,3	25	45,0	8	0,45	Steel
30CIB0370410	41	XL037 6	1/5	5,08	9,525	66,30	-	14,3	25	45,0	8	0,48	Steel
30CIB0370420	42	XL037 6	1/5	5,08	9,525	67,91	-	14,3	25	45,0	8	0,49	Steel
30CIB0370430	43	XL037 6	1/5	5,08	9,525	69,53	-	14,3	25	45,0	8	0,50	Steel
30CIB0370440	44	XL037 6	1/5	5,08	9,525	71,15	-	14,3	25	45,0	8	0,51	Steel
30CIB0370450	45	XL037 6W	1/5	5,08	9,525	72,77	-	14,3	25	45,0	10	0,53	Steel
30CIB0370460	46	XL037 6W	1/5	5,08	9,525	74,38	-	14,3	25	45,0	10	0,54	Steel
30CIB0370470	47	XL037 6W	1/5	5,08	9,525	76,00	-	14,3	25	45,0	10	0,56	Steel
30CIB0370480	48	XL037 6W	1/5	5,08	9,525	77,62	-	14,3	25	45,0	10	0,58	Steel
30CIB0370490	49	XL037 6W	1/5	5,08	9,525	79,23	-	14,3	25	45,0	10	0,58	Steel
30CIB0370520	52	XL037 6W	1/5	5,08	9,525	84,08	-	14,3	25	45,0	10	0,62	Steel
30CIB0370560	56	XL037 6W	1/5	5,08	9,525	90,55	-	14,3	25	45,0	10	0,64	Steel
30CIB0370570	57	XL037 6W	1/5	5,08	9,525	92,17	-	14,3	25	45,0	10	0,66	Steel
30CIB0370580	58	XL037 6W	1/5	5,08	9,525	93,79	-	14,3	25	45,0	10	0,69	Steel
30CIB0370590	59	XL037 6W	1/5	5,08	9,525	95,40	-	14,3	25	45,0	10	0,72	Steel
30CIB0370600	60	XL037 6W	1/5	5,08	9,525	97,02	-	14,3	25	45,0	10	0,75	Steel
30CIB0370680	68	XL037 6W	1/5	5,08	9,525	109,96	-	14,3	25	45,0	10	0,76	Steel
30CIB0370690	69	XL037 6W	1/5	5,08	9,525	111,57	-	14,3	25	45,0	10	0,83	Steel
30CIB0370700	70	XL037 6W	1/5	5,08	9,525	113,19	-	14,3	25	45,0	10	0,89	Steel
30CIB0370710	71	XL037 6W	1/5	5,08	9,525	114,81	-	14,3	25	45,0	10	0,93	Steel
30CIB0370720	72	XL037 6W	1/5	5,08	9,525	116,42	-	14,3	25	45,0	10	0,97	Steel

Ook leverbaar in klantspecifieke uitvoering  
 Also available with customized applications

**TANDRIEMPOELIES L 050**  
**TIMING BELT PULLEYS L 050**  
**ZAHNRIEMENSCHLEIBEN L 050**  
**POULIES COURROIES DENTÉES L 050**

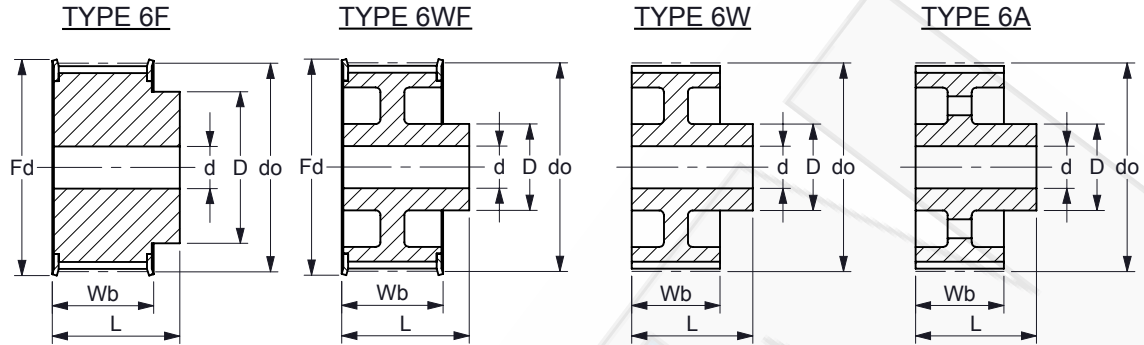


K.T.N. Number	z	type	p		belt width [mm]	do [mm]	Fd [mm]	Wb [mm]	L [mm]	D [mm]	d [mm]	q ca. [kg/pc]	Mat.	
			[inch]	[mm]										
30CIC0500100	10	L050	6F	3/8	9,525	12,7	30,32	37,0	19,0	28	20	8	0,11	Steel
30CIC0500110	11	L050	6F	3/8	9,525	12,7	33,35	37,0	19,0	30	22	8	0,14	Steel
30CIC0500120	12	L050	6F	3/8	9,525	12,7	36,38	43,0	19,0	30	24	8	0,17	Steel
30CIC0500130	13	L050	6F	3/8	9,525	12,7	39,41	44,0	19,0	30	28	8	0,18	Steel
30CIC0500140	14	L050	6F	3/8	9,525	12,7	42,45	48,0	19,0	30	28	8	0,22	Steel
30CIC0500150	15	L050	6F	3/8	9,525	12,7	45,48	51,0	19,0	30	34	8	0,28	Steel
30CIC0500160	16	L050	6F	3/8	9,525	12,7	48,51	54,0	19,0	32	36	8	0,35	Steel
30CIC0500170	17	L050	6F	3/8	9,525	12,7	51,54	57,0	19,0	32	36	10	0,36	Steel
30CIC0500180	18	L050	6F	3/8	9,525	12,7	54,57	60,0	19,0	32	40	10	0,42	Steel
30CIC0500190	19	L050	6F	3/8	9,525	12,7	57,61	64,0	19,0	32	40	10	0,45	Steel
30CIC0500200	20	L050	6F	3/8	9,525	12,7	60,64	66,0	19,0	32	40	10	0,48	Steel
30CIC0500210	21	L050	6F	3/8	9,525	12,7	63,67	70,0	19,0	32	45	10	0,57	Steel
30CIC0500220	22	L050	6F	3/8	9,525	12,7	66,70	75,0	19,0	32	45	10	0,59	Steel
30CIC0500230	23	L050	6F	3/8	9,525	12,7	69,73	79,0	19,0	32	55	10	0,61	Steel
30CIC0500240	24	L050	6F	3/8	9,525	12,7	72,77	79,0	19,0	32	55	10	0,80	Steel
30CIC0500250	25	L050	6F	3/8	9,525	12,7	75,80	83,0	19,0	32	58	10	0,85	Steel
30CIC0500260	26	L050	6F	3/8	9,525	12,7	78,83	87,0	19,0	32	58	11	0,90	Steel
30CIC0500270	27	L050	6F	3/8	9,525	12,7	81,86	87,0	19,0	32	58	11	0,91	Steel
30CIC0500280	28	L050	6F	3/8	9,525	12,7	84,89	91,0	19,0	32	58	11	0,95	Steel
30CIC0500290	29	L050	6F	3/8	9,525	12,7	87,93	93,0	19,0	32	58	11	1,00	Steel
30CIC0500300	30	L050	6F	3/8	9,525	12,7	90,96	97,0	19,0	32	70	11	1,07	Steel
30CIC0500320	32	L050	6F	3/8	9,525	12,7	97,02	102,0	19,0	32	70	11	1,23	Steel
30CIC0500330	33	L050	6F	3/8	9,525	12,7	100,05	106,0	19,0	32	70	11	1,30	Steel
30CIC0500340	34	L050	6F	3/8	9,525	12,7	103,08	112,0	19,0	32	70	11	1,37	Steel
30CIC0500350	35	L050	6F	3/8	9,525	12,7	106,12	112,0	19,0	32	70	11	1,44	Steel
30CIC0500360	36	L050	6F	3/8	9,525	12,7	109,15	115,0	19,0	32	70	11	1,50	Steel
30CIC0500400	40	L050	6WF	3/8	9,525	12,7	121,28	128,0	19,0	32	70	11	1,77	Steel
30CIC0500410	41	L050	6WF	3/8	9,525	12,7	124,31	131,0	19,0	32	70	11	1,84	Steel
30CIC0500420	42	L050	6WF	3/8	9,525	12,7	127,34	135,0	19,0	32	70	11	1,97	Steel
30CIC0500440	44	L050	6WF	3/8	9,525	12,7	133,40	142,0	19,0	32	70	11	2,20	Steel
30CIC0500450	45	L050	6WF	3/8	9,525	12,7	136,44	142,0	19,0	32	70	11	2,27	Steel
30CIC0500470	47	L050	6WF	3/8	9,525	12,7	142,50	150,0	19,0	32	70	11	2,45	Steel
30CIC0500480	48	L050	6WF	3/8	9,525	12,7	145,53	150,0	19,0	32	70	11	2,67	Steel
30CIC0500490	49	L050	6W	3/8	9,525	12,7	148,56	-	19,0	32	70	14	1,80	Cast Iron
30CIC0500500	50	L050	6W	3/8	9,525	12,7	151,60	-	19,0	32	70	14	1,90	Cast Iron
30CIC0500520	52	L050	6W	3/8	9,525	12,7	157,66	-	19,0	32	70	14	2,10	Cast Iron
30CIC0500560	56	L050	6W	3/8	9,525	12,7	169,79	-	19,0	32	70	14	2,18	Cast Iron
30CIC0500570	57	L050	6W	3/8	9,525	12,7	172,82	-	19,0	32	70	14	2,47	Cast Iron
30CIC0500600	60	L050	6W	3/8	9,525	12,7	181,91	-	19,0	42	75	14	3,10	Cast Iron
30CIC0500650	65	L050	6A	3/8	9,525	12,7	197,07	-	19,0	42	75	14	3,20	Cast Iron
30CIC0500660	66	L050	6A	3/8	9,525	12,7	200,11	-	19,0	42	75	14	3,23	Cast Iron
30CIC0500720	72	L050	6A	3/8	9,525	12,7	218,30	-	19,0	42	75	14	4,86	Cast Iron
30CIC0500840	84	L050	6A	3/8	9,525	12,7	254,68	-	19,0	42	75	14	5,00	Cast Iron
30CIC0500900	90	L050	6A	3/8	9,525	12,7	272,87	-	19,0	42	75	14	5,50	Cast Iron
30CIC0500960	96	L050	6A	3/8	9,525	12,7	291,06	-	19,0	42	75	14	6,00	Cast Iron
30CIC0501200	120	L050	6A	3/8	9,525	12,7	363,83	-	19,0	42	75	14	8,50	Cast Iron

Ook leverbaar in klantspecifieke uitvoering  
 Also available with customized applications



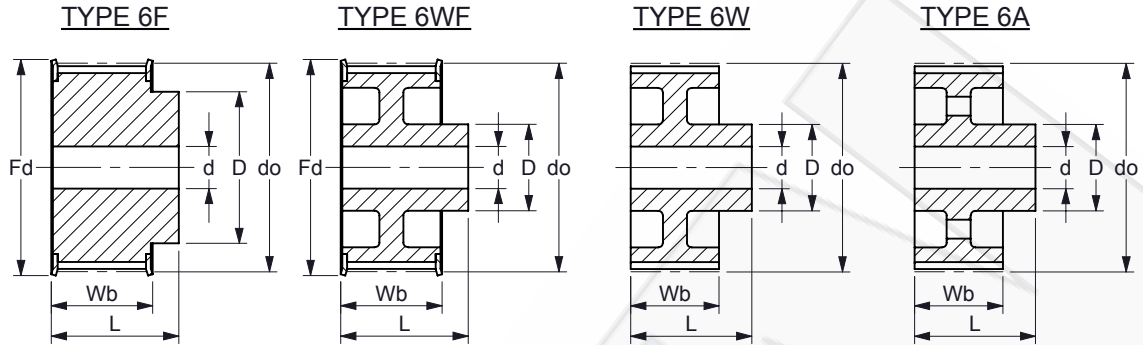
**TANDRIEMPOELIES L 075**  
**TIMING BELT PULLEYS L 075**  
**ZAHNRIEMENSCHIBEN L 075**  
**POULIES COURROIES DENTÉES L 075**



K.T.N. Number	z	type	p		belt width [mm]	do [mm]	Fd [mm]	Wb [mm]	L [mm]	D [mm]	d [mm]	q ca. [kg/pc]	Mat.
			[inch]	[mm]									
30CIC0750100	10	L075 6F	3/8	9,525	19,05	30,32	37,0	25,4	38	20	8	0,15	Steel
30CIC0750110	11	L075 6F	3/8	9,525	19,05	33,35	37,0	25,4	38	22	8	0,17	Steel
30CIC0750120	12	L075 6F	3/8	9,525	19,05	36,38	43,0	25,4	38	24	8	0,22	Steel
30CIC0750130	13	L075 6F	3/8	9,525	19,05	39,41	44,0	25,4	38	28	8	0,25	Steel
30CIC0750140	14	L075 6F	3/8	9,525	19,05	42,45	48,0	25,4	38	28	11	0,28	Steel
30CIC0750150	15	L075 6F	3/8	9,525	19,05	45,48	51,0	25,4	38	34	11	0,38	Steel
30CIC0750160	16	L075 6F	3/8	9,525	19,05	48,51	54,0	25,4	38	36	11	0,43	Steel
30CIC0750170	17	L075 6F	3/8	9,525	19,05	51,54	57,0	25,4	38	36	11	0,44	Steel
30CIC0750180	18	L075 6F	3/8	9,525	19,05	54,57	60,0	25,4	38	40	11	0,52	Steel
30CIC0750190	19	L075 6F	3/8	9,525	19,05	57,61	64,0	25,4	38	40	11	0,56	Steel
30CIC0750200	20	L075 6F	3/8	9,525	19,05	60,64	66,0	25,4	38	40	11	0,59	Steel
30CIC0750210	21	L075 6F	3/8	9,525	19,05	63,67	70,0	25,4	38	45	11	0,64	Steel
30CIC0750220	22	L075 6F	3/8	9,525	19,05	66,70	75,0	25,4	38	45	11	0,69	Steel
30CIC0750230	23	L075 6F	3/8	9,525	19,05	69,73	79,0	25,4	38	55	11	0,76	Steel
30CIC0750240	24	L075 6F	3/8	9,525	19,05	72,77	79,0	25,4	38	55	11	0,87	Steel
30CIC0750250	25	L075 6F	3/8	9,525	19,05	75,80	83,0	25,4	38	58	11	0,95	Steel
30CIC0750260	26	L075 6F	3/8	9,525	19,05	78,83	87,0	25,4	38	58	11	1,06	Steel
30CIC0750270	27	L075 6F	3/8	9,525	19,05	81,86	89,0	25,4	38	58	11	1,18	Steel
30CIC0750280	28	L075 6F	3/8	9,525	19,05	84,89	91,0	25,4	38	58	11	1,19	Steel
30CIC0750290	29	L075 6F	3/8	9,525	19,05	87,93	93,0	25,4	38	58	11	1,25	Steel
30CIC0750300	30	L075 6F	3/8	9,525	19,05	90,96	97,0	25,4	38	70	11	1,33	Steel
30CIC0750320	32	L075 6F	3/8	9,525	19,05	97,02	102,0	25,4	38	70	11	1,54	Steel
30CIC0750330	33	L075 6F	3/8	9,525	19,05	100,05	106,0	25,4	38	70	11	1,63	Steel
30CIC0750340	34	L075 6F	3/8	9,525	19,05	103,08	112,0	25,4	38	70	11	1,72	Steel
30CIC0750350	35	L075 6F	3/8	9,525	19,05	106,12	112,0	25,4	38	70	11	1,80	Steel
30CIC0750360	36	L075 6F	3/8	9,525	19,05	109,15	115,0	25,4	38	70	11	1,89	Steel
30CIC0750400	40	L075 6WF	3/8	9,525	19,05	121,28	128,0	25,4	38	70	11	2,35	Steel
30CIC0750410	41	L075 6WF	3/8	9,525	19,05	124,31	131,0	25,4	38	70	11	2,40	Steel
30CIC0750420	42	L075 6WF	3/8	9,525	19,05	127,34	135,0	25,4	38	70	11	2,53	Steel
30CIC0750440	44	L075 6WF	3/8	9,525	19,05	133,40	142,0	25,4	38	70	11	2,75	Steel
30CIC0750450	45	L075 6WF	3/8	9,525	19,05	136,44	142,0	25,4	38	70	11	2,86	Steel
30CIC0750470	47	L075 6WF	3/8	9,525	19,05	142,50	150,0	25,4	38	70	11	3,02	Steel
30CIC0750480	48	L075 6WF	3/8	9,525	19,05	145,53	150,0	25,4	38	70	11	3,19	Steel
30CIC0750490	49	L075 6W	3/8	9,525	19,05	148,56	-	25,4	38	70	14	2,10	Cast Iron
30CIC0750500	50	L075 6W	3/8	9,525	19,05	151,60	-	25,4	38	70	14	2,20	Cast Iron
30CIC0750520	52	L075 6W	3/8	9,525	19,05	157,66	-	25,4	38	70	14	2,38	Cast Iron
30CIC0750560	56	L075 6W	3/8	9,525	19,05	169,79	-	25,4	38	70	14	2,49	Cast Iron
30CIC0750570	57	L075 6W	3/8	9,525	19,05	172,82	-	25,4	38	70	14	2,73	Cast Iron
30CIC0750600	60	L075 6W	3/8	9,525	19,05	181,91	-	25,4	45	75	14	3,44	Cast Iron
30CIC0750650	65	L075 6A	3/8	9,525	19,05	197,07	-	25,4	45	75	14	3,50	Cast Iron
30CIC0750660	66	L075 6A	3/8	9,525	19,05	200,11	-	25,4	45	75	14	3,60	Cast Iron
30CIC0750720	72	L075 6A	3/8	9,525	19,05	218,30	-	25,4	45	75	14	4,58	Cast Iron
30CIC0750840	84	L075 6A	3/8	9,525	19,05	254,68	-	25,4	45	75	14	5,60	Cast Iron
30CIC0750900	90	L075 6A	3/8	9,525	19,05	272,87	-	25,4	45	75	14	6,50	Cast Iron
30CIC0750960	96	L075 6A	3/8	9,525	19,05	291,06	-	25,4	45	75	14	7,00	Cast Iron
30CIC0751200	120	L075 6A	3/8	9,525	19,05	363,83	-	25,4	45	75	14	10,00	Cast Iron

Ook leverbaar in klantspecifieke uitvoering  
 Also available with customized applications

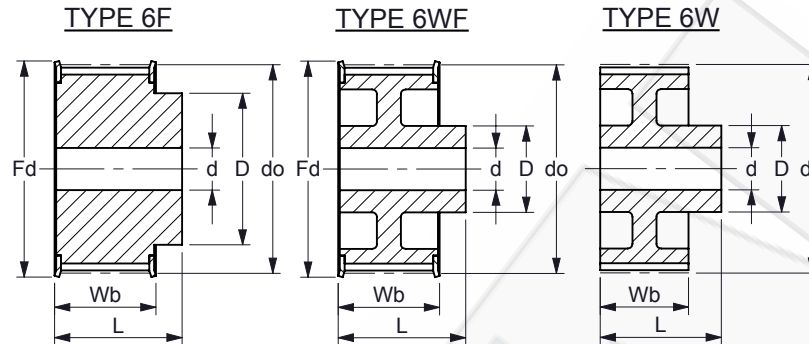
**TANDRIEMPOELIES L 100**  
**TIMING BELT PULLEYS L 100**  
**ZAHNRIEMENSCHLEIBEN L 100**  
**POULIES COURROIES DENTÉES L 100**



K.T.N. Number	z	type	p		belt width [mm]	do [mm]	Fd [mm]	Wb [mm]	L [mm]	D [mm]	d [mm]	q ca. [kg/pc]	Mat.	
			[inch]	[mm]										
30CIC1000100	10	L100	6F	3/8	9,525	25,4	30,32	37,0	31,8	45	20	8	0,15	Steel
30CIC1000110	11	L100	6F	3/8	9,525	25,4	33,35	38,0	31,8	45	22	8	0,20	Steel
30CIC1000120	12	L100	6F	3/8	9,525	25,4	36,38	43,0	31,8	45	24	8	0,26	Steel
30CIC1000130	13	L100	6F	3/8	9,525	25,4	39,41	44,0	31,8	45	28	8	0,30	Steel
30CIC1000140	14	L100	6F	3/8	9,525	25,4	42,45	48,0	31,8	45	28	11	0,34	Steel
30CIC1000150	15	L100	6F	3/8	9,525	25,4	45,48	51,0	31,8	45	34	11	0,45	Steel
30CIC1000160	16	L100	6F	3/8	9,525	25,4	48,51	54,0	31,8	45	36	11	0,52	Steel
30CIC1000170	17	L100	6F	3/8	9,525	25,4	51,54	57,0	31,8	45	36	11	0,53	Steel
30CIC1000180	18	L100	6F	3/8	9,525	25,4	54,57	60,0	31,8	45	40	11	0,62	Steel
30CIC1000190	19	L100	6F	3/8	9,525	25,4	57,61	64,0	31,8	45	40	11	0,66	Steel
30CIC1000200	20	L100	6F	3/8	9,525	25,4	60,64	66,0	31,8	45	40	11	0,72	Steel
30CIC1000210	21	L100	6F	3/8	9,525	25,4	63,67	70,0	31,8	45	45	11	0,77	Steel
30CIC1000220	22	L100	6F	3/8	9,525	25,4	66,70	75,0	31,8	45	45	11	0,88	Steel
30CIC1000230	23	L100	6F	3/8	9,525	25,4	69,73	79,0	31,8	45	55	11	1,12	Steel
30CIC1000240	24	L100	6F	3/8	9,525	25,4	72,77	79,0	31,8	45	55	11	1,13	Steel
30CIC1000250	25	L100	6F	3/8	9,525	25,4	75,80	83,0	31,8	45	58	11	1,18	Steel
30CIC1000260	26	L100	6F	3/8	9,525	25,4	78,83	87,0	31,8	45	58	11	1,24	Steel
30CIC1000270	27	L100	6F	3/8	9,525	25,4	81,86	87,0	31,8	45	58	11	1,35	Steel
30CIC1000280	28	L100	6F	3/8	9,525	25,4	84,89	91,0	31,8	45	58	11	1,42	Steel
30CIC1000290	29	L100	6F	3/8	9,525	25,4	87,93	93,0	31,8	45	58	11	1,50	Steel
30CIC1000300	30	L100	6F	3/8	9,525	25,4	90,96	97,0	31,8	45	70	11	1,61	Steel
30CIC1000320	32	L100	6F	3/8	9,525	25,4	97,02	102,0	31,8	45	70	11	1,84	Steel
30CIC1000330	33	L100	6F	3/8	9,525	25,4	100,05	106,0	31,8	45	70	11	1,95	Steel
30CIC1000340	34	L100	6F	3/8	9,525	25,4	103,08	112,0	31,8	45	70	11	2,10	Steel
30CIC1000350	35	L100	6F	3/8	9,525	25,4	106,12	112,0	31,8	45	70	11	2,23	Steel
30CIC1000360	36	L100	6F	3/8	9,525	25,4	109,15	115,0	31,8	45	70	11	2,32	Steel
30CIC1000400	40	L100	6WF	3/8	9,525	25,4	121,28	128,0	31,8	45	70	11	2,80	Steel
30CIC1000410	41	L100	6WF	3/8	9,525	25,4	124,31	131,0	31,8	45	70	11	2,95	Steel
30CIC1000420	42	L100	6WF	3/8	9,525	25,4	127,34	135,0	31,8	45	70	11	3,10	Steel
30CIC1000440	44	L100	6WF	3/8	9,525	25,4	133,40	142,0	31,8	45	70	11	3,36	Steel
30CIC1000450	45	L100	6WF	3/8	9,525	25,4	136,44	142,0	31,8	45	70	11	3,45	Steel
30CIC1000470	47	L100	6WF	3/8	9,525	25,4	142,50	150,0	31,8	45	70	11	3,65	Steel
30CIC1000480	48	L100	6WF	3/8	9,525	25,4	145,53	150,0	31,8	45	70	11	3,86	Steel
30CIC1000490	49	L100	6W	3/8	9,525	25,4	148,56	-	31,8	45	70	14	2,40	Cast Iron
30CIC1000500	50	L100	6W	3/8	9,525	25,4	151,60	-	31,8	45	70	14	2,50	Cast Iron
30CIC1000520	52	L100	6W	3/8	9,525	25,4	157,66	-	31,8	45	70	14	2,70	Cast Iron
30CIC1000560	56	L100	6W	3/8	9,525	25,4	169,79	-	31,8	45	70	14	2,91	Cast Iron
30CIC1000570	57	L100	6W	3/8	9,525	25,4	172,82	-	31,8	45	70	14	3,10	Cast Iron
30CIC1000600	60	L100	6W	3/8	9,525	25,4	181,91	-	31,8	50	75	14	3,55	Cast Iron
30CIC1000650	65	L100	6A	3/8	9,525	25,4	197,07	-	31,8	50	75	14	4,00	Cast Iron
30CIC1000660	66	L100	6A	3/8	9,525	25,4	200,11	-	31,8	50	75	14	4,15	Cast Iron
30CIC1000720	72	L100	6A	3/8	9,525	25,4	218,30	-	31,8	50	75	14	5,00	Cast Iron
30CIC1000840	84	L100	6A	3/8	9,525	25,4	254,68	-	31,8	50	75	14	6,30	Cast Iron
30CIC1000900	90	L100	6A	3/8	9,525	25,4	272,87	-	31,8	50	75	14	7,50	Cast Iron
30CIC1000960	96	L100	6A	3/8	9,525	25,4	291,06	-	31,8	50	75	14	8,20	Cast Iron
30CIC1001200	120	L100	6A	3/8	9,525	25,4	363,83	-	31,8	50	75	14	11,50	Cast Iron

Ook leverbaar in klantspecifieke uitvoering  
 Also available with customized applications

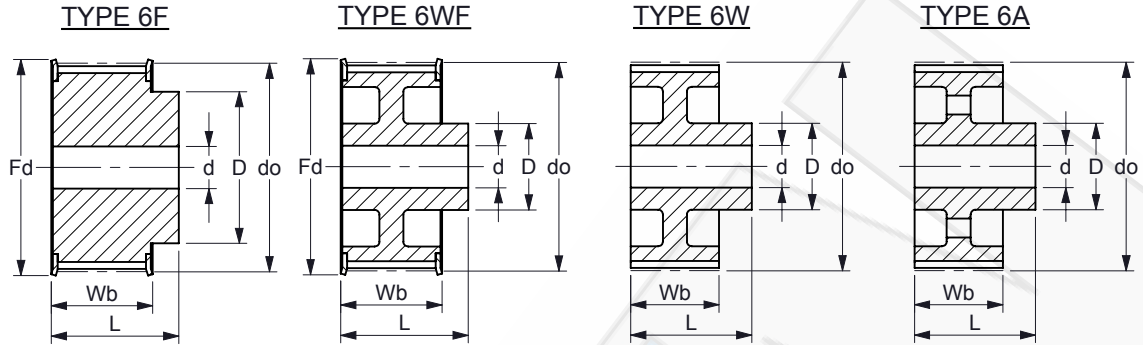
**TANDRIEMPOELIES H 075**  
**TIMING BELT PULLEYS H 075**  
**ZAHNRIEMENSCHLEIBEN H 075**  
**POULIES COURROIES DENTÉES H 075**



K.T.N. Number	z	type	p		belt width [mm]	do [mm]	Fd [mm]	Wb [mm]	L [mm]	D [mm]	d [mm]	q ca. [kg/pc]	Mat.
			[inch]	[mm]									
30CID0750140	14	H075 6F	1/2	12,75	19,05	56,60	64,0	26,4	40	40	8	0,59	Steel
30CID0750150	15	H075 6F	1/2	12,75	19,05	60,64	66,0	26,4	40	45	8	0,65	Steel
30CID0750160	16	H075 6F	1/2	12,75	19,05	64,68	70,0	26,4	40	45	8	0,70	Steel
30CID0750170	17	H075 6F	1/2	12,75	19,05	68,72	75,0	26,4	40	45	8	0,73	Steel
30CID0750180	18	H075 6F	1/2	12,75	19,05	72,77	79,0	26,4	40	55	11	0,91	Steel
30CID0750190	19	H075 6F	1/2	12,75	19,05	76,81	83,0	26,4	40	60	11	1,08	Steel
30CID0750200	20	H075 6F	1/2	12,75	19,05	80,85	87,0	26,4	40	62	11	1,18	Steel
30CID0750210	21	H075 6F	1/2	12,75	19,05	84,89	91,0	26,4	40	65	11	1,30	Steel
30CID0750220	22	H075 6F	1/2	12,75	19,05	88,94	93,0	26,4	40	68	11	1,42	Steel
30CID0750230	23	H075 6F	1/2	12,75	19,05	92,98	97,0	26,4	40	72	11	1,67	Steel
30CID0750240	24	H075 6F	1/2	12,75	19,05	97,02	102,0	26,4	40	72	11	1,71	Steel
30CID0750250	25	H075 6F	1/2	12,75	19,05	101,06	106,0	26,4	40	72	11	1,87	Steel
30CID0750260	26	H075 6F	1/2	12,75	19,05	105,11	112,0	26,4	40	80	11	2,00	Steel
30CID0750270	27	H075 6F	1/2	12,75	19,05	109,15	115,0	26,4	40	80	11	2,10	Steel
30CID0750280	28	H075 6F	1/2	12,75	19,05	113,19	120,0	26,4	40	80	11	2,26	Steel
30CID0750290	29	H075 6F	1/2	12,75	19,05	117,23	123,0	26,4	40	80	11	2,49	Steel
30CID0750300	30	H075 6F	1/2	12,75	19,05	121,28	128,0	26,4	40	80	11	2,70	Steel
30CID0750320	32	H075 6F	1/2	12,75	19,05	129,36	135,0	26,4	40	80	11	2,85	Steel
30CID0750330	33	H075 6F	1/2	12,75	19,05	133,40	140,0	26,4	40	80	11	3,10	Steel
30CID0750340	34	H075 6F	1/2	12,75	19,05	137,45	142,0	26,4	40	80	11	3,30	Steel
30CID0750350	35	H075 6F	1/2	12,75	19,05	141,49	150,0	26,4	40	80	11	3,50	Steel
30CID0750360	36	H075 6WF	1/2	12,75	19,05	145,53	150,0	26,4	40	80	11	3,65	Steel
30CID0750380	38	H075 6WF	1/2	12,75	19,05	153,62	158,0	26,4	40	80	11	3,90	Steel
30CID0750400	40	H075 6WF	1/2	12,75	19,05	161,70	168,0	26,4	40	80	11	4,23	Steel
30CID0750420	42	H075 6WF	1/2	12,75	19,05	169,79	175,0	26,4	40	80	11	4,80	Steel
30CID0750440	44	H075 6WF	1/2	12,75	19,05	177,87	184,0	26,4	40	80	14	3,94	Cast Iron
30CID0750450	45	H075 6WF	1/2	12,75	19,05	181,91	192,0	26,4	40	80	14	4,03	Cast Iron
30CID0750480	48	H075 6WF	1/2	12,75	19,05	194,04	200,0	26,4	45	90	14	4,30	Cast Iron
30CID0750490	49	H075 6W	1/2	12,75	19,05	198,08	-	26,4	45	90	14	4,50	Cast Iron
30CID00750500	50	H075 6W	1/2	12,75	19,05	202,13	-	26,4	45	90	14	4,66	Cast Iron

Ook leverbaar in klantspecifieke uitvoering  
 Also available with customized applications

**TANDRIEMPOELIES H 100**  
**TIMING BELT PULLEYS H 100**  
**ZAHNRIEMENSCHLEIBEN H 100**  
**POULIES COURROIES DENTÉES H 100**

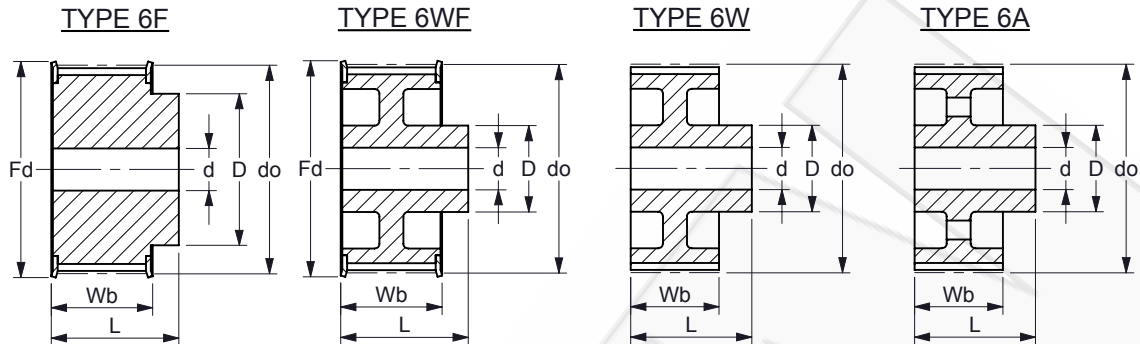


K.T.N. Number	z	type	p		belt width [mm]	do [mm]	Fd [mm]	Wb [mm]	L [mm]	D [mm]	d [mm]	q ca. [kg/pc]	Mat.	
			[inch]	[mm]										
30CID1000140	14	H100	6F	1/2	12,75	25,4	56,60	64,0	31,8	45	45	11	0,67	Steel
30CID1000150	15	H100	6F	1/2	12,75	25,4	60,64	66,0	31,8	45	45	11	0,77	Steel
30CID1000160	16	H100	6F	1/2	12,75	25,4	64,68	70,0	31,8	45	45	11	0,88	Steel
30CID1000170	17	H100	6F	1/2	12,75	25,4	68,72	75,0	31,8	45	45	11	0,88	Steel
30CID1000180	18	H100	6F	1/2	12,75	25,4	72,77	79,0	31,8	45	55	14	1,06	Steel
30CID1000190	19	H100	6F	1/2	12,75	25,4	76,81	83,0	31,8	45	60	14	1,23	Steel
30CID1000200	20	H100	6F	1/2	12,75	25,4	80,85	87,0	31,8	45	62	14	1,33	Steel
30CID1000210	21	H100	6F	1/2	12,75	25,4	84,89	91,0	31,8	45	65	14	1,43	Steel
30CID1000220	22	H100	6F	1/2	12,75	25,4	88,94	93,0	31,8	45	68	14	1,63	Steel
30CID1000230	23	H100	6F	1/2	12,75	25,4	92,98	97,0	31,8	45	72	14	1,85	Steel
30CID1000240	24	H100	6F	1/2	12,75	25,4	97,02	102,0	31,8	45	72	14	1,93	Steel
30CID1000250	25	H100	6F	1/2	12,75	25,4	101,06	106,0	31,8	45	72	14	2,07	Steel
30CID1000260	26	H100	6F	1/2	12,75	25,4	105,11	112,0	31,8	45	80	14	2,30	Steel
30CID1000270	27	H100	6F	1/2	12,75	25,4	109,15	115,0	31,8	45	80	14	2,40	Steel
30CID1000280	28	H100	6F	1/2	12,75	25,4	113,19	120,0	31,8	45	80	14	2,53	Steel
30CID1000290	29	H100	6F	1/2	12,75	25,4	117,23	123,0	31,8	45	80	14	2,70	Steel
30CID1000300	30	H100	6F	1/2	12,75	25,4	121,28	128,0	31,8	45	80	14	2,93	Steel
30CID1000320	32	H100	6F	1/2	12,75	25,4	129,36	135,0	31,8	45	80	14	3,06	Steel
30CID1000330	33	H100	6F	1/2	12,75	25,4	133,40	140,0	31,8	45	80	14	3,40	Steel
30CID1000340	34	H100	6F	1/2	12,75	25,4	137,45	142,0	31,8	45	80	14	3,57	Steel
30CID1000350	35	H100	6F	1/2	12,75	25,4	141,49	150,0	31,8	45	80	14	3,80	Steel
30CID1000360	36	H100	6WF	1/2	12,75	25,4	145,53	150,0	31,8	45	80	14	3,92	Steel
30CID1000380	38	H100	6WF	1/2	12,75	25,4	153,62	158,0	31,8	45	80	14	4,40	Steel
30CID1000400	40	H100	6WF	1/2	12,75	25,4	161,70	168,0	31,8	45	80	14	4,95	Steel
30CID1000420	42	H100	6WF	1/2	12,75	25,4	169,79	175,0	31,8	45	80	14	5,60	Steel
30CID1000440	44	H100	6WF	1/2	12,75	25,4	177,87	184,0	31,8	50	80	14	4,86	Cast Iron
30CID1000450	45	H100	6WF	1/2	12,75	25,4	181,91	192,0	31,8	50	80	14	4,97	Cast Iron
30CID1000480	48	H100	6WF	1/2	12,75	25,4	194,04	200,0	31,8	50	90	14	5,30	Cast Iron
30CID1000490	49	H100	6W	1/2	12,75	25,4	198,08	-	31,8	50	90	19	5,40	Cast Iron
30CID1000500	50	H100	6W	1/2	12,75	25,4	202,13	-	31,8	50	90	19	5,50	Cast Iron
30CID1000520	52	H100	6W	1/2	12,75	25,4	210,21	-	31,8	50	90	19	5,80	Cast Iron
30CID1000580	58	H100	6A	1/2	12,75	25,4	234,47	-	31,8	50	90	19	6,20	Cast Iron
30CID1000600	60	H100	6A	1/2	12,75	25,4	242,55	-	31,8	50	90	19	7,50	Cast Iron
30CID1000700	70	H100	6A	1/2	12,75	25,4	282,98	-	31,8	55	100	19	8,20	Cast Iron
30CID1000720	72	H100	6A	1/2	12,75	25,4	291,06	-	31,8	55	100	19	9,00	Cast Iron
30CID1000820	82	H100	6A	1/2	12,75	25,4	331,49	-	31,8	55	100	19	9,20	Cast Iron
30CID1000840	84	H100	6A	1/2	12,75	25,4	339,57	-	31,8	55	100	19	10,00	Cast Iron
30CID1000940	94	H100	6A	1/2	12,75	25,4	380,00	-	31,8	60	120	19	13,00	Cast Iron
30CID1000960	96	H100	6A	1/2	12,75	25,4	388,08	-	31,8	60	120	19	13,80	Cast Iron
30CID1001060	106	H100	6A	1/2	12,75	25,4	428,51	-	31,8	60	120	19	15,50	Cast Iron
30CID1001160	116	H100	6A	1/2	12,75	25,4	468,93	-	31,8	60	120	19	18,00	Cast Iron
30CID1001180	118	H100	6A	1/2	12,75	25,4	477,02	-	31,8	60	120	19	20,00	Cast Iron
30CID1001200	120	H100	6A	1/2	12,75	25,4	485,10	-	31,8	60	120	19	22,00	Cast Iron
30CID1001500	150	H100	6A	1/2	12,75	25,4	606,38	-	31,8	60	120	19	25,00	Cast Iron
30CID1001520	152	H100	6A	1/2	12,75	25,4	614,47	-	31,8	60	120	19	26,00	Cast Iron
30CID1001540	154	H100	6A	1/2	12,75	25,4	622,55	-	31,8	60	120	19	27,00	Cast Iron
30CID1001560	156	H100	6A	1/2	12,75	25,4	630,64	-	31,8	60	120	19	28,00	Cast Iron

Ook leverbaar in klantspecifieke uitvoering  
 Also available with customized applications



**TANDRIEMPOELIES H 150**  
**TIMING BELT PULLEYS H 150**  
**ZAHNRIEMENSCHLEIBEN H 150**  
**POULIES COURROIES DENTÉES H 150**

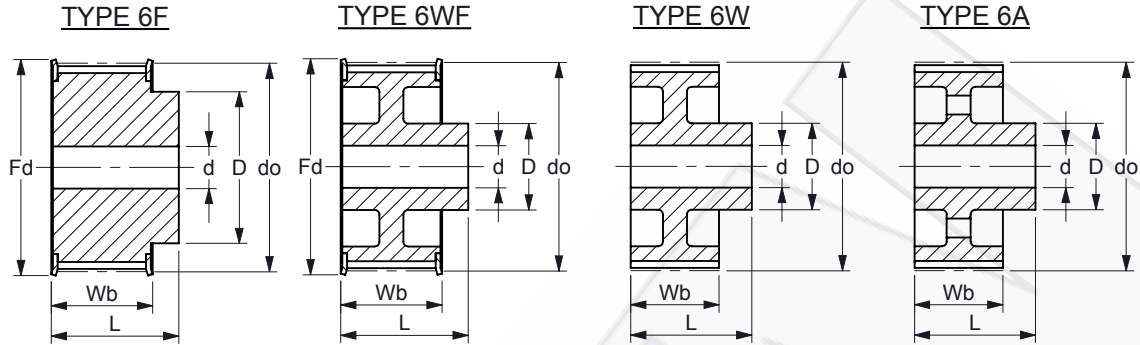


K.T.N. Number	z	type	p		belt width [mm]	do [mm]	Fd [mm]	Wb [mm]	L [mm]	D [mm]	d [mm]	q ca. [kg/pc]	Mat.	
			[inch]	[mm]										
30CID1500140	14	H150	6F	1/2	12,75	38,1	56,60	64,0	46,0	58	42	11	0,91	Steel
30CID1500150	15	H150	6F	1/2	12,75	38,1	60,64	66,0	46,0	58	45	11	0,99	Steel
30CID1500160	16	H150	6F	1/2	12,75	38,1	64,68	70,0	46,0	58	45	11	1,08	Steel
30CID1500170	17	H150	6F	1/2	12,75	38,1	68,72	75,0	46,0	58	45	11	1,15	Steel
30CID1500180	18	H150	6F	1/2	12,75	38,1	72,77	79,0	46,0	58	55	14	1,45	Steel
30CID1500190	19	H150	6F	1/2	12,75	38,1	76,81	83,0	46,0	58	60	14	1,55	Steel
30CID1500200	20	H150	6F	1/2	12,75	38,1	80,85	87,0	46,0	58	62	14	1,66	Steel
30CID1500210	21	H150	6F	1/2	12,75	38,1	84,89	91,0	46,0	58	65	14	1,87	Steel
30CID1500220	22	H150	6F	1/2	12,75	38,1	88,94	93,0	46,0	58	68	14	2,07	Steel
30CID1500230	23	H150	6F	1/2	12,75	38,1	92,98	97,0	46,0	58	72	14	2,28	Steel
30CID1500240	24	H150	6F	1/2	12,75	38,1	97,02	102,0	46,0	58	72	14	2,50	Steel
30CID1500250	25	H150	6F	1/2	12,75	38,1	101,06	106,0	46,0	58	72	14	2,71	Steel
30CID1500260	26	H150	6F	1/2	12,75	38,1	105,11	112,0	46,0	58	80	14	2,99	Steel
30CID1500270	27	H150	6F	1/2	12,75	38,1	109,15	115,0	46,0	58	80	14	3,15	Steel
30CID1500280	28	H150	6F	1/2	12,75	38,1	113,19	120,0	46,0	58	80	14	3,39	Steel
30CID1500290	29	H150	6F	1/2	12,75	38,1	117,23	123,0	46,0	58	80	14	3,57	Steel
30CID1500300	30	H150	6F	1/2	12,75	38,1	121,28	128,0	46,0	58	80	14	3,86	Steel
30CID1500320	32	H150	6F	1/2	12,75	38,1	129,36	135,0	46,0	58	80	14	4,37	Steel
30CID1500330	33	H150	6F	1/2	12,75	38,1	133,40	140,0	46,0	58	80	14	4,66	Steel
30CID1500340	34	H150	6F	1/2	12,75	38,1	137,45	142,0	46,0	58	80	14	4,98	Steel
30CID1500350	35	H150	6F	1/2	12,75	38,1	141,49	150,0	46,0	58	80	14	5,30	Steel
30CID1500360	36	H150	6WF	1/2	12,75	38,1	145,53	150,0	46,0	58	80	14	5,50	Steel
30CID1500380	38	H150	6WF	1/2	12,75	38,1	153,62	158,0	46,0	58	80	14	6,10	Steel
30CID1500400	40	H150	6WF	1/2	12,75	38,1	161,70	168,0	46,0	58	80	14	6,80	Steel
30CID1500420	42	H150	6WF	1/2	12,75	38,1	169,79	175,0	46,0	58	80	19	7,60	Steel
30CID1500440	44	H150	6WF	1/2	12,75	38,1	177,87	184,0	46,0	58	80	19	6,14	Cast Iron
30CID1500450	45	H150	6WF	1/2	12,75	38,1	181,91	192,0	46,0	58	80	19	6,28	Cast Iron
30CID1500480	48	H150	6WF	1/2	12,75	38,1	194,04	200,0	46,0	65	90	19	6,70	Cast Iron
30CID1500490	49	H150	6W	1/2	12,75	38,1	198,08	-	46,0	65	90	19	7,00	Cast Iron
30CID1500500	50	H150	6W	1/2	12,75	38,1	202,13	-	46,0	65	90	19	7,10	Cast Iron
30CID1500520	52	H150	6W	1/2	12,75	38,1	210,21	-	46,0	65	90	19	7,30	Cast Iron
30CID1500580	58	H150	6A	1/2	12,75	38,1	234,47	-	46,0	65	90	19	8,10	Cast Iron
30CID1500600	60	H150	6A	1/2	12,75	38,1	242,55	-	46,0	65	90	19	9,00	Cast Iron
30CID1500700	70	H150	6A	1/2	12,75	38,1	282,98	-	46,0	65	100	24	10,50	Cast Iron
30CID1500720	72	H150	6A	1/2	12,75	38,1	291,06	-	46,0	65	100	24	11,00	Cast Iron
30CID1500820	82	H150	6A	1/2	12,75	38,1	331,49	-	46,0	65	100	24	12,00	Cast Iron
30CID1500840	84	H150	6A	1/2	12,75	38,1	339,57	-	46,0	65	100	24	13,00	Cast Iron
30CID1500940	94	H150	6A	1/2	12,75	38,1	380,00	-	46,0	65	120	24	16,00	Cast Iron
30CID1500960	96	H150	6A	1/2	12,75	38,1	388,08	-	46,0	65	120	24	17,00	Cast Iron
30CID1501060	106	H150	6A	1/2	12,75	38,1	428,51	-	46,0	65	120	24	19,50	Cast Iron
30CID1501160	116	H150	6A	1/2	12,75	38,1	468,93	-	46,0	65	120	24	22,00	Cast Iron
30CID1501180	118	H150	6A	1/2	12,75	38,1	477,02	-	46,0	65	120	24	23,50	Cast Iron
30CID1501200	120	H150	6A	1/2	12,75	38,1	485,10	-	46,0	65	120	24	25,00	Cast Iron
30CID1501500	150	H150	6A	1/2	12,75	38,1	606,38	-	46,0	65	120	24	31,50	Cast Iron
30CID1501520	152	H150	6A	1/2	12,75	38,1	614,47	-	46,0	65	120	24	33,00	Cast Iron
30CID1501540	154	H150	6A	1/2	12,75	38,1	622,55	-	46,0	65	120	24	34,50	Cast Iron
30CID1501560	156	H150	6A	1/2	12,75	38,1	630,64	-	46,0	65	120	24	36,00	Cast Iron

Ook leverbaar in klantspecifieke uitvoering  
 Also available with customized applications



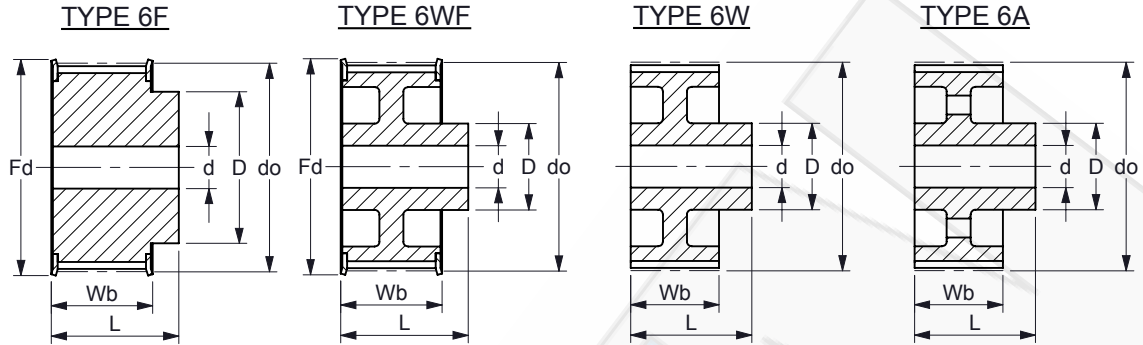
**TANDRIEMPOELIES H 200**  
**TIMING BELT PULLEYS H 200**  
**ZAHNRIEMENSCHLEIBEN H 200**  
**POULIES COURROIES DENTÉES H 200**



K.T.N. Number	z	type	p		belt width [mm]	do [mm]	Fd [mm]	Wb [mm]	L [mm]	D [mm]	d [mm]	q ca. [kg/pc]	Mat.
			[inch]	[mm]									
30CID2000140	14	H200 6F	1/2	12,75	50,8	56,60	64,0	58,7	70	42	11	1,13	Steel
30CID2000150	15	H200 6F	1/2	12,75	50,8	60,64	66,0	58,7	70	45	11	1,21	Steel
30CID2000160	16	H200 6F	1/2	12,75	50,8	64,68	70,0	58,7	70	45	11	1,30	Steel
30CID2000170	17	H200 6F	1/2	12,75	50,8	68,72	75,0	58,7	70	45	11	1,45	Steel
30CID2000180	18	H200 6F	1/2	12,75	50,8	72,77	79,0	58,7	70	55	14	1,65	Steel
30CID2000190	19	H200 6F	1/2	12,75	50,8	76,81	83,0	58,7	70	60	14	1,90	Steel
30CID2000200	20	H200 6F	1/2	12,75	50,8	80,85	87,0	58,7	70	62	14	2,11	Steel
30CID2000210	21	H200 6F	1/2	12,75	50,8	84,89	91,0	58,7	70	65	14	2,23	Steel
30CID2000220	22	H200 6F	1/2	12,75	50,8	88,94	93,0	58,7	70	68	14	2,45	Steel
30CID2000230	23	H200 6F	1/2	12,75	50,8	92,98	97,0	58,7	70	72	14	2,71	Steel
30CID2000240	24	H200 6F	1/2	12,75	50,8	97,02	102,0	58,7	70	72	14	2,97	Steel
30CID2000250	25	H200 6F	1/2	12,75	50,8	101,06	106,0	58,7	70	72	14	3,32	Steel
30CID2000260	26	H200 6F	1/2	12,75	50,8	105,11	112,0	58,7	70	80	14	3,61	Steel
30CID2000270	27	H200 6F	1/2	12,75	50,8	109,15	115,0	58,7	70	80	14	3,90	Steel
30CID2000280	28	H200 6F	1/2	12,75	50,8	113,19	120,0	58,7	70	80	14	4,10	Steel
30CID2000290	29	H200 6F	1/2	12,75	50,8	117,23	123,0	58,7	70	80	14	4,42	Steel
30CID2000300	30	H200 6F	1/2	12,75	50,8	121,28	128,0	58,7	70	80	14	4,74	Steel
30CID2000320	32	H200 6F	1/2	12,75	50,8	129,36	135,0	58,7	70	80	14	5,60	Steel
30CID2000330	33	H200 6F	1/2	12,75	50,8	133,40	140,0	58,7	70	80	14	5,90	Steel
30CID2000340	34	H200 6F	1/2	12,75	50,8	137,45	142,0	58,7	70	80	14	6,20	Steel
30CID2000350	35	H200 6F	1/2	12,75	50,8	141,49	150,0	58,7	70	80	14	6,60	Steel
30CID2000360	36	H200 6WF	1/2	12,75	50,8	145,53	150,0	58,7	70	80	14	7,10	Steel
30CID2000380	38	H200 6WF	1/2	12,75	50,8	153,62	158,0	58,7	70	80	14	7,80	Steel
30CID2000400	40	H200 6WF	1/2	12,75	50,8	161,70	168,0	58,7	70	80	14	8,40	Steel
30CID2000420	42	H200 6WF	1/2	12,75	50,8	169,79	180,0	58,7	70	80	19	9,70	Steel
30CID2000440	44	H200 6WF	1/2	12,75	50,8	177,87	184,0	58,7	70	80	19	7,88	Cast Iron
30CID2000450	45	H200 6WF	1/2	12,75	50,8	181,91	192,0	58,7	70	80	19	8,06	Cast Iron
30CID2000480	48	H200 6WF	1/2	12,75	50,8	194,04	200,0	58,7	75	90	24	8,60	Cast Iron
30CID2000490	49	H200 6W	1/2	12,75	50,8	198,08	-	58,7	75	90	24	7,60	Cast Iron
30CID2000500	50	H200 6W	1/2	12,75	50,8	202,13	-	58,7	75	90	24	8,30	Cast Iron
30CID2000520	52	H200 6W	1/2	12,75	50,8	210,21	-	58,7	75	90	24	8,50	Cast Iron
30CID2000580	58	H200 6A	1/2	12,75	50,8	234,47	-	58,7	75	90	24	10,00	Cast Iron
30CID2000600	60	H200 6A	1/2	12,75	50,8	242,55	-	58,7	75	90	24	11,00	Cast Iron
30CID2000700	70	H200 6A	1/2	12,75	50,8	282,98	-	58,7	75	100	28	12,50	Cast Iron
30CID2000720	72	H200 6A	1/2	12,75	50,8	291,06	-	58,7	75	100	28	14,00	Cast Iron
30CID2000820	82	H200 6A	1/2	12,75	50,8	331,49	-	58,7	75	100	28	13,50	Cast Iron
30CID2000840	84	H200 6A	1/2	12,75	50,8	339,57	-	58,7	75	100	28	15,00	Cast Iron
30CID2000940	94	H200 6A	1/2	12,75	50,8	380,00	-	58,7	75	120	28	18,90	Cast Iron
30CID2000960	96	H200 6A	1/2	12,75	50,8	388,08	-	58,7	75	120	28	20,30	Cast Iron
30CID2001060	106	H200 6A	1/2	12,75	50,8	428,51	-	58,7	75	120	28	22,50	Cast Iron
30CID2001160	116	H200 6A	1/2	12,75	50,8	468,93	-	58,7	75	120	28	24,70	Cast Iron
30CID2001180	118	H200 6A	1/2	12,75	50,8	477,02	-	58,7	75	120	28	26,00	Cast Iron
30CID2001200	120	H200 6A	1/2	12,75	50,8	485,10	-	58,7	75	120	28	28,00	Cast Iron
30CID2001500	150	H200 6A	1/2	12,75	50,8	606,38	-	58,7	75	120	28	32,50	Cast Iron
30CID2001520	152	H200 6A	1/2	12,75	50,8	614,47	-	58,7	75	120	28	35,00	Cast Iron
30CID2001540	154	H200 6A	1/2	12,75	50,8	622,55	-	58,7	75	120	28	38,00	Cast Iron
30CID2001560	156	H200 6A	1/2	12,75	50,8	630,64	-	58,7	75	120	28	41,00	Cast Iron

Ook leverbaar in klantspecifieke uitvoering  
 Also available with customized applications

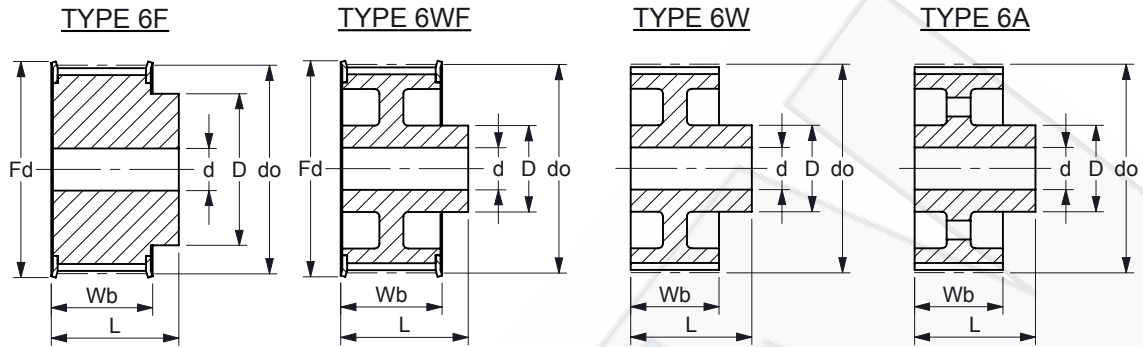
**TANDRIEMPOELIES H 300**  
**TIMING BELT PULLEYS H 300**  
**ZAHNRIEMENSCHLEIBEN H 300**  
**POULIES COURROIES DENTÉES H 300**



K.T.N. Number	z	type	p		belt width [mm]	do [mm]	Fd [mm]	Wb [mm]	L [mm]	D [mm]	d [mm]	q ca. [kg/pc]	Mat.	
			[inch]	[mm]										
30CID3000140	14	H300	6F	1/2	12,75	76,2	56,60	64	85,7	100	42	11	1,35	Steel
30CID3000150	15	H300	6F	1/2	12,75	76,2	60,64	66	85,7	100	45	11	1,55	Steel
30CID3000160	16	H300	6F	1/2	12,75	76,2	64,68	70	85,7	100	45	11	1,80	Steel
30CID3000170	17	H300	6F	1/2	12,75	76,2	68,72	75	85,7	100	45	11	2,10	Steel
30CID3000180	18	H300	6F	1/2	12,75	76,2	72,77	79	85,7	100	55	19	2,38	Steel
30CID3000190	19	H300	6F	1/2	12,75	76,2	76,81	83	85,7	100	60	19	2,64	Steel
30CID3000200	20	H300	6F	1/2	12,75	76,2	80,85	87	85,7	100	62	19	3,10	Steel
30CID3000210	21	H300	6F	1/2	12,75	76,2	84,89	91	85,7	100	65	19	3,32	Steel
30CID3000220	22	H300	6F	1/2	12,75	76,2	88,94	93	85,7	100	68	19	3,67	Steel
30CID3000230	23	H300	6F	1/2	12,75	76,2	92,98	97	85,7	100	72	19	4,00	Steel
30CID3000240	24	H300	6F	1/2	12,75	76,2	97,02	102	85,7	100	72	19	4,40	Steel
30CID3000250	25	H300	6F	1/2	12,75	76,2	101,06	106	85,7	100	72	19	4,79	Steel
30CID3000260	26	H300	6F	1/2	12,75	76,2	105,11	112	85,7	100	80	19	5,20	Steel
30CID3000270	27	H300	6F	1/2	12,75	76,2	109,15	115	85,7	100	80	19	5,60	Steel
30CID3000280	28	H300	6F	1/2	12,75	76,2	113,19	120	85,7	100	80	19	5,60	Steel
30CID3000290	29	H300	6F	1/2	12,75	76,2	117,23	123	85,7	100	80	19	6,00	Steel
30CID3000300	30	H300	6F	1/2	12,75	76,2	121,28	128	85,7	100	80	19	7,00	Steel
30CID3000320	32	H300	6F	1/2	12,75	76,2	129,36	135	85,7	100	80	19	7,80	Steel
30CID3000330	33	H300	6F	1/2	12,75	76,2	133,40	140	85,7	100	80	19	8,70	Steel
30CID3000340	34	H300	6F	1/2	12,75	76,2	137,45	142	85,7	100	80	19	9,70	Steel
30CID3000350	35	H300	6F	1/2	12,75	76,2	141,49	150	85,7	100	80	19	9,80	Steel
30CID3000360	36	H300	6WF	1/2	12,75	76,2	145,53	150	85,7	100	80	19	9,90	Steel
30CID3000380	38	H300	6WF	1/2	12,75	76,2	153,62	158	85,7	100	80	19	11,00	Steel
30CID3000400	40	H300	6WF	1/2	12,75	76,2	161,70	168	85,7	100	80	19	12,20	Steel
30CID3000420	42	H300	6WF	1/2	12,75	76,2	169,79	180	85,7	100	80	24	13,80	Steel
30CID3000440	44	H300	6WF	1/2	12,75	76,2	177,87	184	85,7	100	80	24	8,44	Cast Iron
30CID3000450	45	H300	6WF	1/2	12,75	76,2	181,91	192	85,7	100	80	24	8,63	Cast Iron
30CID3000480	48	H300	6WF	1/2	12,75	76,2	194,04	200	85,7	100	90	24	9,21	Cast Iron
30CID3000490	49	H300	6W	1/2	12,75	76,2	198,08	-	85,7	100	90	24	9,40	Cast Iron
30CID3000500	50	H300	6W	1/2	12,75	76,2	202,13	-	85,7	100	90	24	10,60	Cast Iron
30CID3000520	52	H300	6W	1/2	12,75	76,2	210,21	-	85,7	100	90	24	11,80	Cast Iron
30CID3000580	58	H300	6A	1/2	12,75	76,2	234,47	-	85,7	100	90	24	12,20	Cast Iron
30CID3000600	60	H300	6A	1/2	12,75	76,2	242,55	-	85,7	100	90	24	13,00	Cast Iron
30CID3000700	70	H300	6A	1/2	12,75	76,2	282,98	-	85,7	100	100	28	16,50	Cast Iron
30CID3000720	72	H300	6A	1/2	12,75	76,2	291,06	-	85,7	100	100	28	17,14	Cast Iron
30CID3000820	82	H300	6A	1/2	12,75	76,2	331,49	-	85,7	100	100	28	19,20	Cast Iron
30CID3000840	84	H300	6A	1/2	12,75	76,2	339,57	-	85,7	100	100	28	20,00	Cast Iron
30CID3000940	94	H300	6A	1/2	12,75	76,2	380,00	-	85,7	100	120	28	25,50	Cast Iron
30CID3000960	96	H300	6A	1/2	12,75	76,2	388,08	-	85,7	100	120	28	27,00	Cast Iron
30CID3001060	106	H300	6A	1/2	12,75	76,2	428,51	-	85,7	100	120	28	27,90	Cast Iron
30CID3001160	116	H300	6A	1/2	12,75	76,2	468,93	-	85,7	100	120	28	28,50	Cast Iron
30CID3001180	118	H300	6A	1/2	12,75	76,2	477,02	-	85,7	100	120	28	31,00	Cast Iron
30CID3001200	120	H300	6A	1/2	12,75	76,2	485,10	-	85,7	100	120	28	33,00	Cast Iron
30CID3001500	150	H300	6A	1/2	12,75	76,2	606,38	-	85,7	100	120	28	38,00	Cast Iron
30CID3001520	152	H300	6A	1/2	12,75	76,2	614,47	-	85,7	100	120	28	40,00	Cast Iron
30CID3001540	154	H300	6A	1/2	12,75	76,2	622,55	-	85,7	100	120	28	42,00	Cast Iron
30CID3001560	156	H300	6A	1/2	12,75	76,2	630,64	-	85,7	100	120	28	44,20	Cast Iron

Ook leverbaar in klantspecifieke uitvoering  
 Also available with customized applications

**TANDRIEMPOELIES XH 200**  
**TIMING BELT PULLEYS XH 200**  
**ZAHNRIEMENSCHLEIBEN XH 200**  
**POULIES COURROIES DENTÉES XH 200**

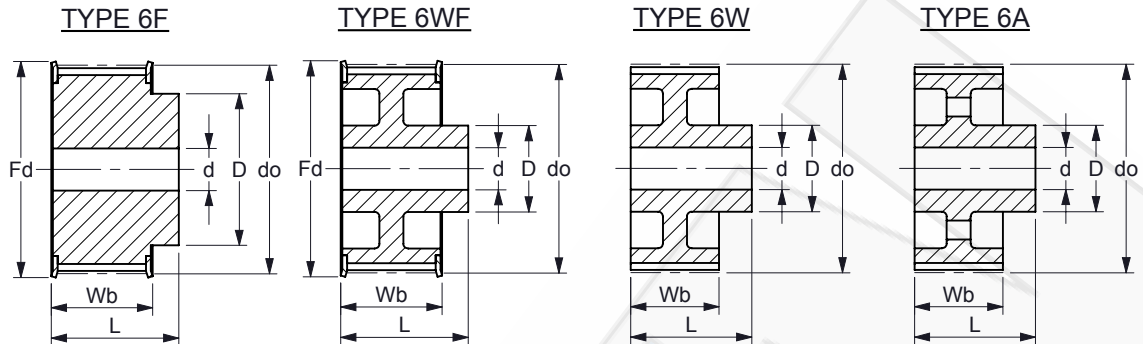


12

K.T.N. Number	z	type	p		belt width [mm]	do [mm]	Fd [mm]	Wb [mm]	L [mm]	D [mm]	d [mm]	q ca. [kg/pc]	Mat.	
			[inch]	[mm]										
30CIE2000180	18	XH200	6F	7/8	22,225	50,8	127,34	140	65	80	100	24	5,90	Steel
30CIE2000190	19	XH200	6F	7/8	22,225	50,8	134,41	146	65	80	100	24	6,50	Steel
30CIE2000200	20	XH200	6F	7/8	22,225	50,8	141,49	155	65	80	100	24	7,20	Steel
30CIE2000210	21	XH200	6F	7/8	22,225	50,8	148,56	160	65	80	110	24	7,90	Steel
30CIE2000220	22	XH200	6F	7/8	22,225	50,8	155,64	168	65	80	110	24	8,70	Steel
30CIE2000240	24	XH200	6F	7/8	22,225	50,8	169,79	184	65	80	120	24	10,60	Steel
30CIE2000250	25	XH200	6F	7/8	22,225	50,8	176,86	188	65	80	120	24	11,40	Steel
30CIE2000260	26	XH200	6F	7/8	22,225	50,8	183,94	200	65	80	120	24	12,20	Steel
30CIE2000270	27	XH200	6F	7/8	22,225	50,8	191,01	200	65	80	120	24	13,50	Steel
30CIE2000280	28	XH200	6F	7/8	22,225	50,8	198,08	212	65	80	150	24	14,80	Steel
30CIE2000300	30	XH200	6F	7/8	22,225	50,8	212,23	226	65	80	150	24	16,60	Steel
30CIE2000320	32	XH200	6WF	7/8	22,225	50,8	226,38	240	65	80	150	24	17,90	Steel
30CIE2000340	34	XH200	6WF	7/8	22,225	50,8	240,53	256	65	80	150	24	18,20	Steel
30CIE2000380	38	XH200	6WF	7/8	22,225	50,8	268,83	286	65	100	150	28	19,00	Cast Iron
30CIE2000400	40	XH200	6WF	7/8	22,225	50,8	282,98	296	65	100	150	28	22,10	Cast Iron
30CIE2000460	46	XH200	6W	7/8	22,225	50,8	325,42	-	65	100	150	28	26,00	Cast Iron
30CIE2000480	48	XH200	6W	7/8	22,225	50,8	339,57	-	65	100	150	28	27,60	Cast Iron
30CIE2000500	50	XH200	6W	7/8	22,225	50,8	410,32	-	65	100	150	28	28,80	Cast Iron
30CIE2000600	60	XH200	6W	7/8	22,225	50,8	424,47	-	65	100	150	28	34,50	Cast Iron
30CIE2000700	70	XH200	6A	7/8	22,225	50,8	495,21	-	65	100	190	28	39,00	Cast Iron
30CIE2000720	72	XH200	6A	7/8	22,225	50,8	509,36	-	65	100	190	28	42,00	Cast Iron
30CIE2000780	78	XH200	6A	7/8	22,225	50,8	551,81	-	65	100	190	28	48,00	Cast Iron
30CIE2000800	80	XH200	6A	7/8	22,225	50,8	565,95	-	65	100	190	28	51,00	Cast Iron
30CIE2000820	82	XH200	6A	7/8	22,225	50,8	580,10	-	65	100	190	28	54,00	Cast Iron
30CIE2000840	84	XH200	6A	7/8	22,225	50,8	594,25	-	65	100	190	28	57,00	Cast Iron
30CIE2000940	94	XH200	6A	7/8	22,225	50,8	665,00	-	65	100	190	28	64,00	Cast Iron
30CIE2000960	96	XH200	6A	7/8	22,225	50,8	679,15	-	65	100	190	28	67,00	Cast Iron
30CIE2001180	118	XH200	6A	7/8	22,225	50,8	834,78	-	65	100	190	28	88,00	Cast Iron
30CIE2001200	120	XH200	6A	7/8	22,225	50,8	848,93	-	65	100	190	28	90,00	Cast Iron

Ook leverbaar in klantspecifieke uitvoering  
 Also available with customized applications

**TANDRIEMPOELIES XH 300**  
**TIMING BELT PULLEYS XH 300**  
**ZAHNRIEMENSCHLEIBEN XH 300**  
**POULIES COURROIES DENTÉES XH 300**

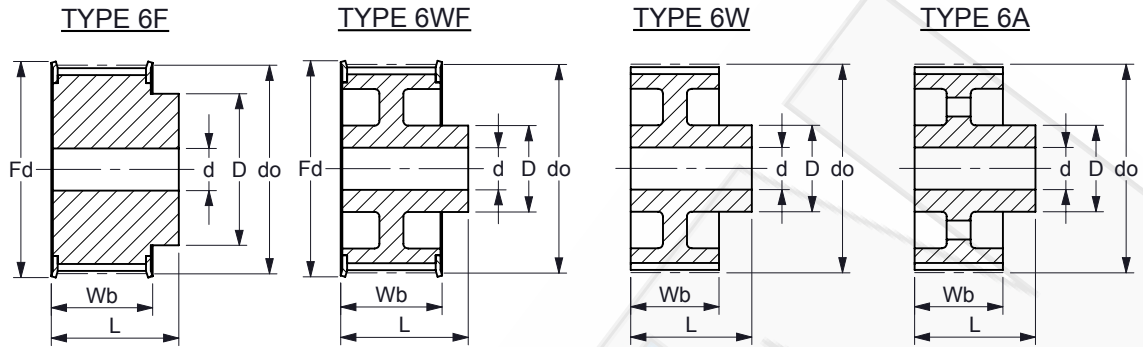


K.T.N. Number	z	type	p		belt width [mm]	do [mm]	Fd [mm]	Wb [mm]	L [mm]	D [mm]	d [mm]	q ca. [kg/pc]	Mat.	
			[inch]	[mm]										
30CIE3000180	18	XH300	6F	7/8	22,225	76,2	127,34	140,0	90,5	110	100	28	8,90	Steel
30CIE3000190	19	XH300	6F	7/8	22,225	76,2	134,41	146,0	90,5	110	100	28	9,20	Steel
30CIE3000200	20	XH300	6F	7/8	22,225	76,2	141,49	155,0	90,5	110	100	28	9,50	Steel
30CIE3000210	21	XH300	6F	7/8	22,225	76,2	148,56	160,0	90,5	110	110	28	10,80	Steel
30CIE3000220	22	XH300	6F	7/8	22,225	76,2	155,64	168,0	90,5	110	110	28	12,10	Steel
30CIE3000240	24	XH300	6F	7/8	22,225	76,2	169,79	184,0	90,5	110	120	28	14,10	Steel
30CIE3000250	25	XH300	6F	7/8	22,225	76,2	176,86	188,0	90,5	110	120	28	15,40	Steel
30CIE3000260	26	XH300	6F	7/8	22,225	76,2	183,94	200,0	90,5	110	120	28	16,70	Steel
30CIE3000270	27	XH300	6F	7/8	22,225	76,2	191,01	200,0	90,5	110	120	28	18,40	Steel
30CIE3000280	28	XH300	6F	7/8	22,225	76,2	198,08	212,0	90,5	110	150	28	20,20	Steel
30CIE3000300	30	XH300	6F	7/8	22,225	76,2	212,23	226,0	90,5	110	150	28	23,80	Steel
30CIE3000320	32	XH300	6WF	7/8	22,225	76,2	226,38	240,0	90,5	110	150	28	26,60	Steel
30CIE3000340	34	XH300	6WF	7/8	22,225	76,2	240,53	256,0	90,5	110	150	28	29,40	Steel
30CIE3000380	38	XH300	6WF	7/8	22,225	76,2	268,83	286,0	90,5	120	175	32	26,84	Cast Iron
30CIE3000400	40	XH300	6WF	7/8	22,225	76,2	282,98	296,0	90,5	120	175	32	28,26	Cast Iron
30CIE3000460	46	XH300	6W	7/8	22,225	76,2	325,42	-	90,5	120	175	32	32,50	Cast Iron
30CIE3000480	48	XH300	6W	7/8	22,225	76,2	339,57	-	90,5	120	175	32	34,00	Cast Iron
30CIE3000500	50	XH300	6W	7/8	22,225	76,2	410,32	-	90,5	120	175	32	37,00	Cast Iron
30CIE3000600	60	XH300	6W	7/8	22,225	76,2	424,47	-	90,5	120	175	32	39,00	Cast Iron
30CIE3000700	70	XH300	6A	7/8	22,225	76,2	495,21	-	90,5	120	175	32	53,00	Cast Iron
30CIE3000720	72	XH300	6A	7/8	22,225	76,2	509,36	-	90,5	120	175	32	55,00	Cast Iron
30CIE3000780	78	XH300	6A	7/8	22,225	76,2	551,81	-	90,5	120	175	32	62,00	Cast Iron
30CIE3000800	80	XH300	6A	7/8	22,225	76,2	565,95	-	90,5	120	175	32	64,00	Cast Iron
30CIE3000820	82	XH300	6A	7/8	22,225	76,2	580,10	-	90,5	120	175	32	66,00	Cast Iron
30CIE3000840	84	XH300	6A	7/8	22,225	76,2	594,25	-	90,5	120	175	32	69,00	Cast Iron
30CIE3000940	94	XH300	6A	7/8	22,225	76,2	665,00	-	90,5	120	175	32	81,00	Cast Iron
30CIE3000960	96	XH300	6A	7/8	22,225	76,2	679,15	-	90,5	120	175	32	85,00	Cast Iron
30CIE3001180	118	XH300	6A	7/8	22,225	76,2	834,78	-	90,5	120	175	32	116,00	Cast Iron
30CIE3001200	120	XH300	6A	7/8	22,225	76,2	848,93	-	90,5	120	175	32	121,00	Cast Iron

Ook leverbaar in klantspecifieke uitvoering  
 Also available with customized applications



**TANDRIEMPOELIES XH 400**  
**TIMING BELT PULLEYS XH 400**  
**ZAHNRIEMENSCHLEIBEN XH 400**  
**POULIES COURROIES DENTÉES XH 400**



K.T.N. Number	z	type	p		belt width [mm]	do [mm]	Fd [mm]	Wb [mm]	L [mm]	D [mm]	d [mm]	q ca. [kg/pc]	Mat.	
			[inch]	[mm]										
30CIE4000180	18	XH400	6F	7/8	22,225	101,6	127,34	140,0	118	132	100	32	9,50	Steel
30CIE4000190	19	XH400	6F	7/8	22,225	101,6	134,41	146,0	118	132	100	32	10,65	Steel
30CIE4000200	20	XH400	6F	7/8	22,225	101,6	141,49	154,0	118	132	100	32	11,80	Steel
30CIE4000210	21	XH400	6F	7/8	22,225	101,6	148,56	160,0	118	132	110	32	13,20	Steel
30CIE4000220	22	XH400	6F	7/8	22,225	101,6	155,64	168,0	118	132	110	32	14,73	Steel
30CIE4000240	24	XH400	6F	7/8	22,225	101,6	169,79	184,0	118	132	120	32	17,80	Steel
30CIE4000250	25	XH400	6F	7/8	22,225	101,6	176,86	192,0	118	132	120	32	19,40	Steel
30CIE4000260	26	XH400	6F	7/8	22,225	101,6	183,94	200,0	118	132	120	32	21,10	Steel
30CIE4000270	27	XH400	6F	7/8	22,225	101,6	191,01	200,0	118	132	120	32	22,80	Steel
30CIE4000280	28	XH400	6F	7/8	22,225	101,6	198,08	211,0	118	132	150	32	24,43	Steel
30CIE4000300	30	XH400	6F	7/8	22,225	101,6	212,23	226,0	118	132	150	32	28,70	Steel
30CIE4000320	32	XH400	6F	7/8	22,225	101,6	226,38	240,0	118	132	150	32	32,50	Steel
30CIE4000340	34	XH400	6F	7/8	22,225	101,6	240,53	256,0	118	132	150	32	36,50	Steel
30CIE4000380	38	XH400	6WF	7/8	22,225	101,6	268,83	286,0	118	132	150	32	31,26	Cast Iron
30CIE4000400	40	XH400	6WF	7/8	22,225	101,6	282,98	296,0	118	132	150	32	32,90	Cast Iron
30CIE4000460	46	XH400	6W	7/8	22,225	101,6	325,42	-	118	132	175	32	38,00	Cast Iron
30CIE4000480	48	XH400	6W	7/8	22,225	101,6	339,57	-	118	132	175	32	41,00	Cast Iron
30CIE4000500	50	XH400	6W	7/8	22,225	101,6	410,32	-	118	132	175	32	46,00	Cast Iron
30CIE4000600	60	XH400	6W	7/8	22,225	101,6	424,47	-	118	132	175	32	47,00	Cast Iron
30CIE4000700	70	XH400	6A	7/8	22,225	101,6	495,21	-	118	132	175	32	66,00	Cast Iron
30CIE4000720	72	XH400	6A	7/8	22,225	101,6	509,36	-	118	132	175	32	68,00	Cast Iron
30CIE4000780	78	XH400	6A	7/8	22,225	101,6	551,81	-	118	132	175	32	71,00	Cast Iron
30CIE4000800	80	XH400	6A	7/8	22,225	101,6	565,95	-	118	132	175	32	73,00	Cast Iron
30CIE4000820	82	XH400	6A	7/8	22,225	101,6	580,10	-	118	132	175	32	74,50	Cast Iron
30CIE4000840	84	XH400	6A	7/8	22,225	101,6	594,25	-	118	132	175	32	78,00	Cast Iron
30CIE4000940	94	XH400	6A	7/8	22,225	101,6	665,00	-	118	132	175	32	86,00	Cast Iron
30CIE4000960	96	XH400	6A	7/8	22,225	101,6	679,15	-	118	132	175	32	98,00	Cast Iron
30CIE4001180	118	XH400	6A	7/8	22,225	101,6	834,78	-	118	132	175	32	142,00	Cast Iron
30CIE4001200	120	XH400	6A	7/8	22,225	101,6	848,93	-	118	132	175	32	156,00	Cast Iron

Ook leverbaar in klantspecifieke uitvoering  
 Also available with customized applications