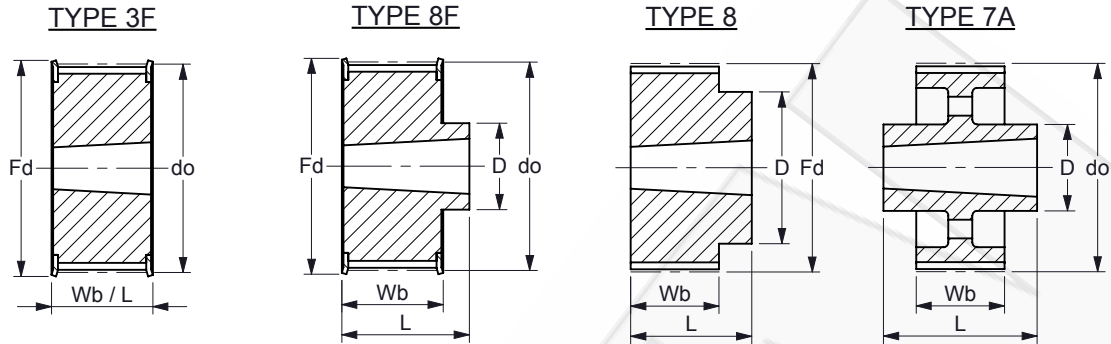


TANDRIEMPOELIES HTD 5M-15
TIMING BELT PULLEYS HTD 5M-15
ZAHNRIEMENSCHLEIBEN HTD 5M-15
POULIES DENTÉES HTD 5M-15

Taperlock uitvoering
 Taperlock execution



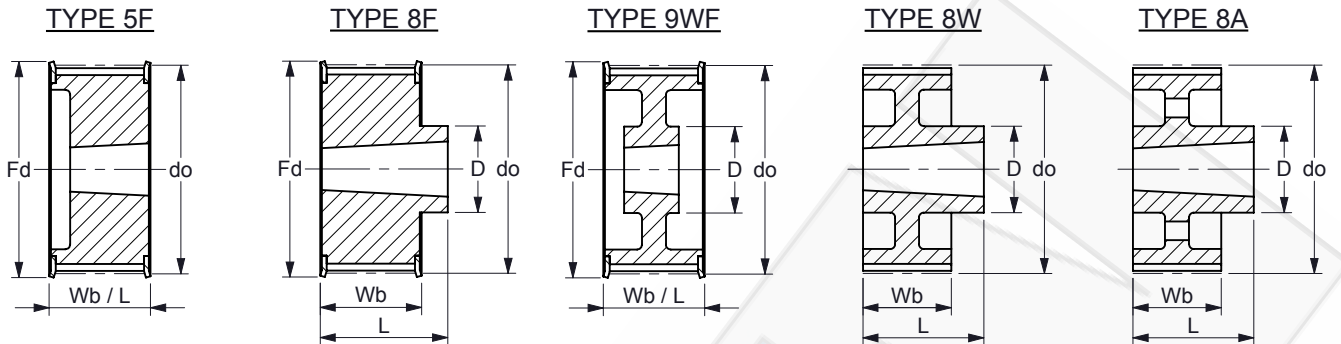
K.T.N. Number	z	type	p	belt width	Bush	do	Fd	Wb	L	D	q ca.	Mat.
			[mm]	[mm]								
30KHB0150340	34	HTD 5M 3F	5	15	1008	54,11	57,0	22,0	22	-	0,19	Steel
30KHB0150360	36	HTD 5M 3F	5	15	1108	57,30	60,0	22,0	22	-	0,20	Steel
30KHB0150380	38	HTD 5M 3F	5	15	1108	60,48	66,0	22,0	22	-	0,26	Steel
30KHB0150400	40	HTD 5M 3F	5	15	1108	63,66	70,0	22,0	22	-	0,31	Steel
30KHB0150440	44	HTD 5M 3F	5	15	1108	70,03	75,0	22,0	22	-	0,41	Steel
30KHB0150480	48	HTD 5M 8F	5	15	1210	76,39	83,0	22,0	25	59	0,45	Steel
30KHB0150560	56	HTD 5M 8F	5	15	1210	89,13	93,0	22,0	25	70	0,75	Steel
30KHB0150640	64	HTD 5M 8F	5	15	1210	101,86	106,0	22,0	25	80	1,20	Steel
30KHB0150720	72	HTD 5M 8	5	15	1610	114,59	-	22,0	25	92	1,35	Steel
30KHB0150800	80	HTD 5M 8	5	15	1610	127,32	-	22,0	25	92	1,73	Steel
30KHB0150900	90	HTD 5M 8	5	15	1610	143,24	-	22,0	25	92	2,29	Steel
30KHB0151120	112	HTD 5M 8	5	15	2012	178,25	-	20,0	32	110	3,71	Steel
30KHB0151360	136	HTD 5M 7A	5	15	2012	216,45	-	20,0	32	110	3,08	Steel

Ook leverbaar in klantspecifieke uitvoering
 Also available with customized applications

TANDRIEMPOELIES HTD 8M-20
TIMING BELT PULLEYS HTD 8M-20
ZAHNRIEMENSCHLEIBEN HTD 8M-20
POULIES DENTÉES HTD 8M-20



Taperlock uitvoering
 Taperlock execution

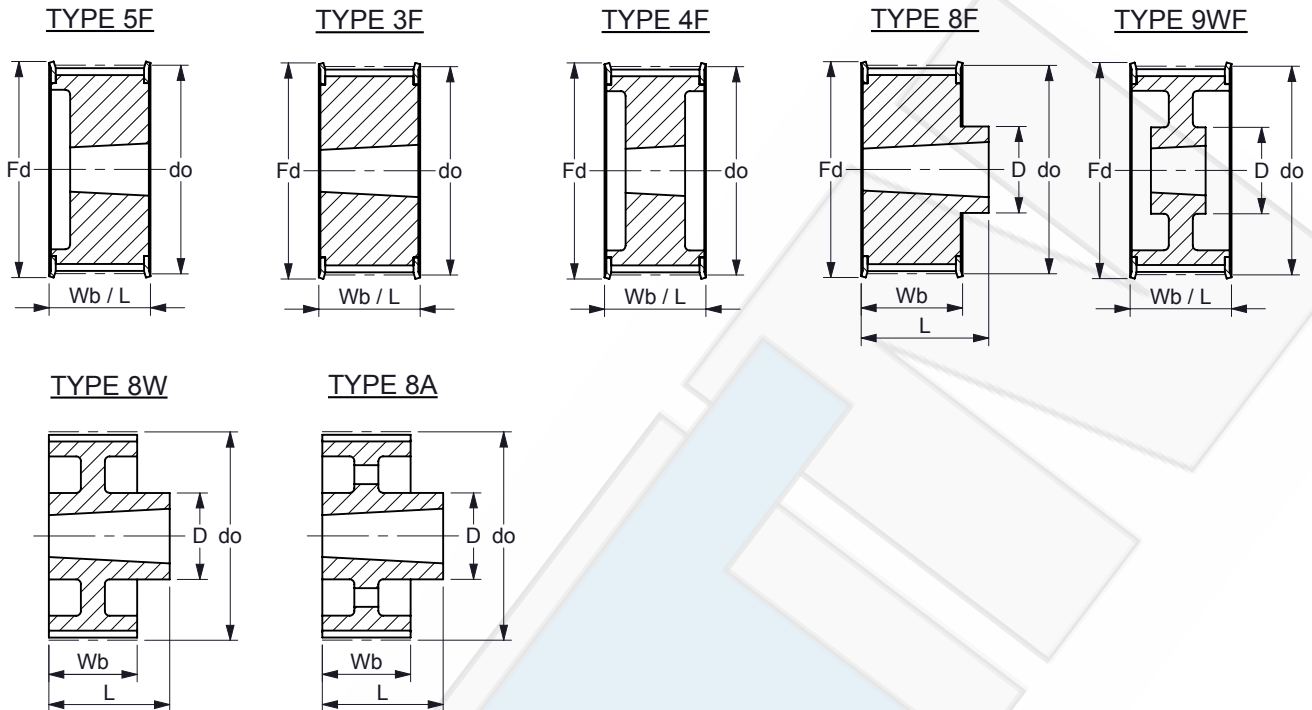


K.T.N. Number	z	type		p	belt width	Bush	do	Fd	Wb	L	D	q	Mat.
				[mm]	[mm]		[mm]	[mm]	[mm]	[mm]	[mm]	[mm]	
30KHC0200220	22	HTD 8M	5F	8	20	1008	56,02	60,0	28,0	22	-	0,25	Steel
30KHC0200240	24	HTD 8M	5F	8	20	1108	61,12	66,0	28,0	22	-	0,30	Steel
30KHC0200260	26	HTD 8M	5F	8	20	1108	66,21	70,0	28,0	22	-	0,36	Steel
30KHC0200280	28	HTD 8M	5F	8	20	1108	71,30	75,0	28,0	22	-	0,44	Steel
30KHC0200300	30	HTD 8M	5F	8	20	1108	76,39	83,0	28,0	22	-	0,53	Steel
30KHC0200320	32	HTD 8M	5F	8	20	1610	81,49	87,0	28,0	25	-	0,42	Steel
30KHC0200340	34	HTD 8M	5F	8	20	1610	86,58	91,0	28,0	25	-	0,55	Steel
30KHC0200360	36	HTD 8M	5F	8	20	1610	91,67	97,0	28,0	25	-	0,68	Steel
30KHC0200380	38	HTD 8M	5F	8	20	1610	96,77	102,0	28,0	25	-	0,80	Steel
30KHC0200400	40	HTD 8M	5F	8	20	1610	101,86	106,0	28,0	25	-	1,00	Steel
30KHC0200440	44	HTD 8M	8F	8	20	2012	112,05	120,0	28,0	32	93	1,20	Steel
30KHC0200480	48	HTD 8M	8F	8	20	2012	122,23	128,0	28,0	32	96	1,60	Steel
30KHC0200560	56	HTD 8M	8F	8	20	2012	142,60	150,0	28,0	32	110	2,40	Steel
30KHC0200640	64	HTD 8M	9WF	8	20	2012	162,97	168,0	28,0	32	110	2,70	Steel
30KHC0200720	72	HTD 8M	9WF	8	20	2012	183,35	192,0	28,0	32	110	3,30	Steel
30KHC0200800	80	HTD 8M	8W	8	20	2012	203,72	-	28,0	32	110	3,50	Cast Iron
30KHC0200900	90	HTD 8M	8A	8	20	2012	229,18	-	28,0	32	110	3,65	Cast Iron
30KHC0201440	144	HTD 8M	8A	8	20	2517	366,69	-	28,0	45	125	4,80	Cast Iron

Ook leverbaar in klantspecifieke uitvoering
 Also available with customized applications

TANDRIEMPOELIES HTD 8M-30
TIMING BELT PULLEYS HTD 8M-30
ZAHNRIEMENSCHLEIBEN HTD 8M-30
POULIES DENTÉES HTD 8M-30

Taperlock uitvoering
 Taperlock execution

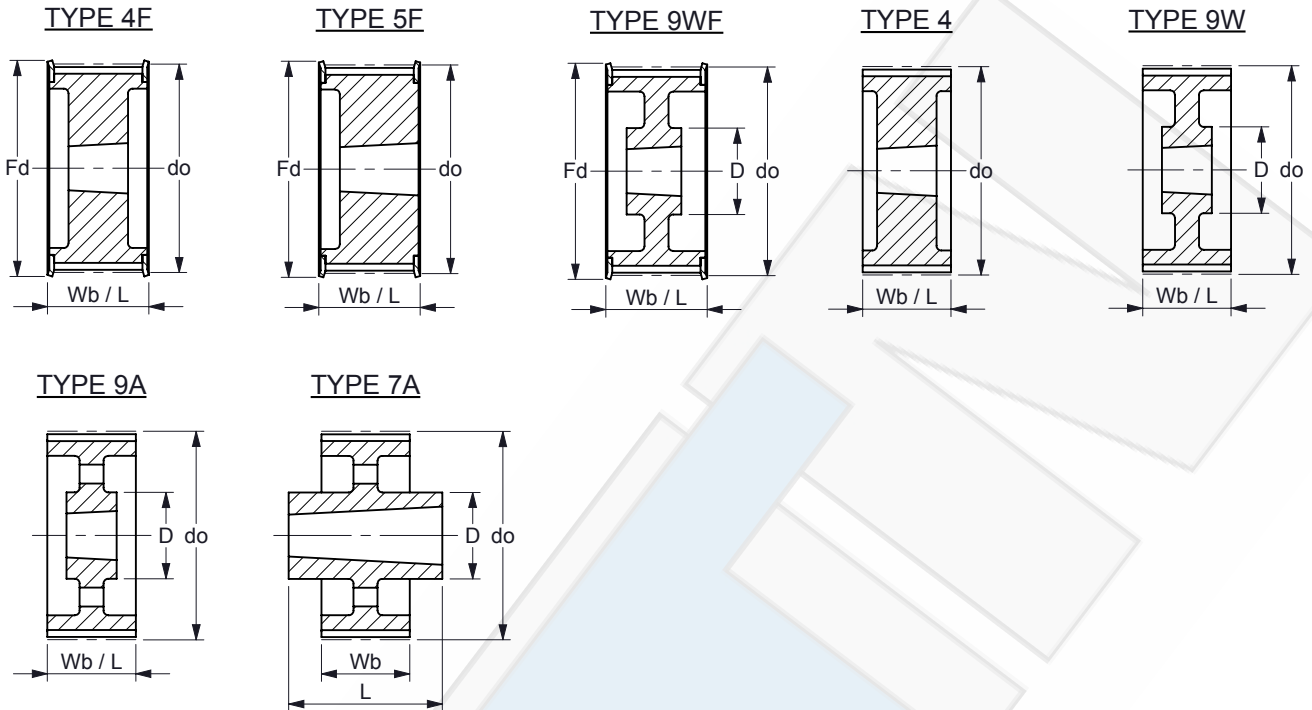


K.T.N. Number	z	type	p	belt width	Bush	do	Fd	Wb	L	D	q ca.	Mat.
30KHC0300220	22	HTD 8M 5F	8	30	1008	56,02	60,0	38,0	22	-	0,31	Steel
30KHC0300240	24	HTD 8M 5F	8	30	1108	61,12	66,0	38,0	22	-	0,38	Steel
30KHC0300260	26	HTD 8M 5F	8	30	1108	66,21	70,0	38,0	22	-	0,45	Steel
30KHC0300280	28	HTD 8M 5F	8	30	1210	71,30	75,0	38,0	25	-	0,50	Steel
30KHC0300300	30	HTD 8M 3F	8	30	1615	76,39	83,0	38,0	38	-	0,55	Steel
30KHC0300320	32	HTD 8M 3F	8	30	1615	81,49	87,0	38,0	38	-	0,59	Steel
30KHC0300340	34	HTD 8M 3F	8	30	1615	86,58	91,0	38,0	38	-	0,77	Steel
30KHC0300360	36	HTD 8M 3F	8	30	1615	91,67	97,0	38,0	38	-	0,96	Steel
30KHC0300380	38	HTD 8M 3F	8	30	1615	96,77	102,0	38,0	38	-	1,15	Steel
30KHC0300400	40	HTD 8M 3F	8	30	1615	101,86	106,0	38,0	38	-	1,34	Steel
30KHC0300440	44	HTD 8M 4F	8	30	2012	112,05	120,0	38,0	32	-	1,33	Steel
30KHC0300480	48	HTD 8M 4F	8	30	2012	122,23	128,0	38,0	32	-	1,78	Steel
30KHC0300560	56	HTD 8M 4F	8	30	2012	142,60	150,0	38,0	32	-	3,76	Steel
30KHC0300640	64	HTD 8M 8F	8	30	2517	162,97	192,0	38,0	45	125	4,20	Steel
30KHC0300720	72	HTD 8M 9WF	8	30	2517	183,35	-	38,0	45	125	4,30	Steel
30KHC0300800	80	HTD 8M 8W	8	30	2517	203,72	-	38,0	45	125	4,60	Cast Iron
30KHC0300900	90	HTD 8M 8A	8	30	2517	229,18	-	38,0	45	125	5,00	Cast Iron
30KHC0301120	112	HTD 8M 8A	8	30	2517	285,21	-	38,0	45	125	6,20	Cast Iron
30KHC0301440	144	HTD 8M 8A	8	30	2517	366,69	-	38,0	45	125	9,00	Cast Iron

Ook leverbaar in klantspecifieke uitvoering
 Also available with customized applications

TANDRIEMPOELIES HTD 8M-50
TIMING BELT PULLEYS HTD 8M-50
ZAHNRIEMENSCHLEIBEN HTD 8M-50
POULIES DENTÉES HTD 8M-50

Taperlock uitvoering
 Taperlock execution



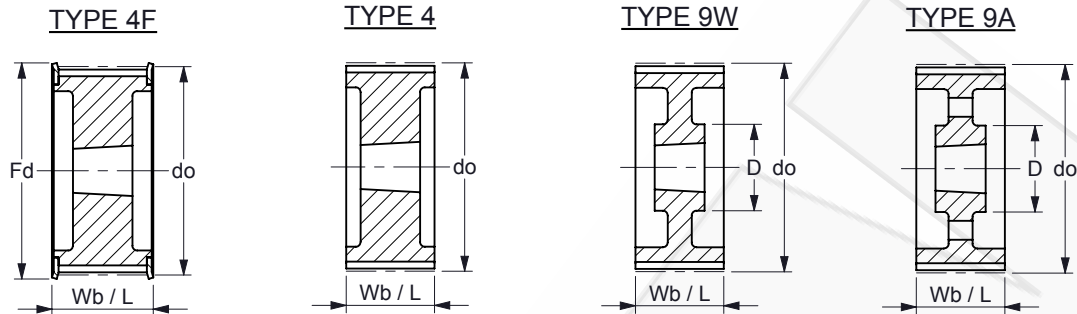
12

K.T.N. Number	z	type	p	belt width	Bush	do	Fd	Wb	L	D	q ca.	Mat.
30KHC0500280	28	HTD 8M 4F	8	50	1210	71,30	75,0	60,0	25	-	0,60	Steel
30KHC0500300	30	HTD 8M 5F	8	50	1615	76,39	83,0	60,0	38	-	0,65	Steel
30KHC0500320	32	HTD 8M 5F	8	50	1615	81,49	87,0	60,0	38	-	0,82	Steel
30KHC0500340	34	HTD 8M 5F	8	50	1615	86,58	91,0	60,0	38	-	1,06	Steel
30KHC0500360	36	HTD 8M 5F	8	50	1615	91,67	97,0	60,0	38	-	1,30	Steel
30KHC0500380	38	HTD 8M 5F	8	50	1615	96,77	102,0	60,0	38	-	1,60	Steel
30KHC0500400	40	HTD 8M 4F	8	50	2012	101,86	106,0	60,0	32	-	1,71	Steel
30KHC0500440	44	HTD 8M 4F	8	50	2012	112,05	120,0	60,0	32	-	1,78	Steel
30KHC0500480	48	HTD 8M 4F	8	50	2012	122,23	128,0	60,0	32	-	2,30	Steel
30KHC0500560	56	HTD 8M 4F	8	50	2517	142,60	150,0	60,0	45	-	3,40	Steel
30KHC0500640	64	HTD 8M 4F	8	50	2517	162,97	168,0	60,0	45	-	5,00	Steel
30KHC0500720	72	HTD 8M 9WF	8	50	2517	183,35	192,0	60,0	45	125	6,70	Steel
30KHC0500800	80	HTD 8M 4	8	50	3020	203,72	-	60,0	51	-	8,80	Cast Iron
30KHC0500900	90	HTD 8M 9W	8	50	3020	229,18	-	60,0	51	170	10,00	Cast Iron
30KHC0501120	112	HTD 8M 9W	8	50	3020	285,21	-	60,0	51	170	12,00	Cast Iron
30KHC0501440	144	HTD 8M 9A	8	50	3020	366,69	-	60,0	51	170	15,20	Cast Iron
30KHC0501680	168	HTD 8M 7A	8	50	3525	427,81	-	60,0	65	198	17,50	Cast Iron
30KHC0501920	192	HTD 8M 7A	8	50	3525	488,92	-	60,0	65	198	24,00	Cast Iron

Ook leverbaar in klantspecifieke uitvoering
 Also available with customized applications

TANDRIEMPOELIES HTD 8M-85
TIMING BELT PULLEYS HTD 8M-85
ZAHNRIEMENSCHLEIBEN HTD 8M-85
POULIES DENTÉES HTD 8M-85

Taperlock uitvoering
 Taperlock execution



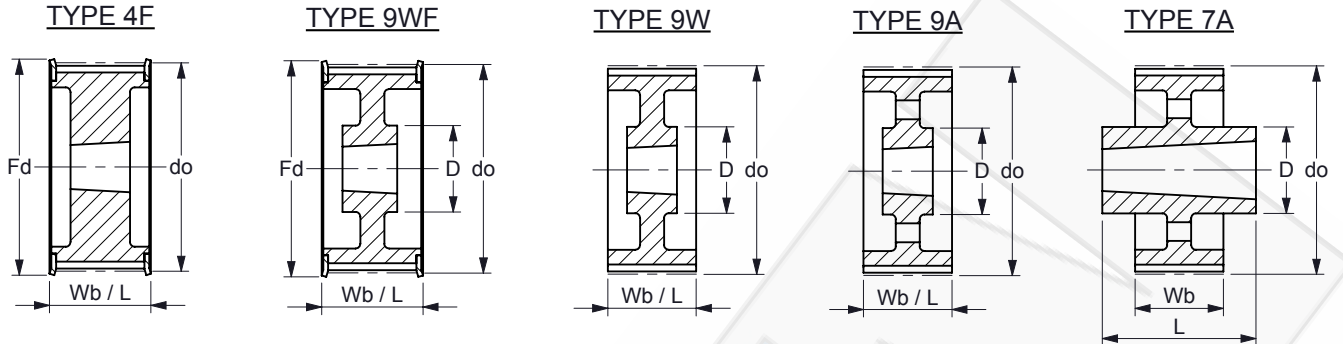
K.T.N. Number	z	type	p	belt width	Bush	do	Fd	Wb	L	D	q ca.	Mat.
			[mm]	[mm]								
30KHC0850340	34	HTD 8M 4F	8	85	1615	86,58	91,0	95,0	38	-	1,43	Steel
30KHC0850360	36	HTD 8M 4F	8	85	1615	91,67	97,0	95,0	38	-	1,87	Steel
30KHC0850380	38	HTD 8M 4F	8	85	1615	96,77	102,0	95,0	38	-	2,20	Steel
30KHC0850400	40	HTD 8M 4F	8	85	2012	101,86	106,0	95,0	32	-	1,80	Steel
30KHC0850440	44	HTD 8M 4F	8	85	2012	112,05	120,0	95,0	32	-	2,30	Steel
30KHC0850480	48	HTD 8M 4F	8	85	2517	122,23	128,0	95,0	45	-	2,66	Steel
30KHC0850560	56	HTD 8M 4F	8	85	2517	142,60	150,0	95,0	45	-	4,45	Steel
30KHC0850640	64	HTD 8M 4F	8	85	2517	162,97	168,0	95,0	45	-	6,20	Steel
30KHC0850720	72	HTD 8M 4F	8	85	3020	183,35	192,0	95,0	51	-	8,00	Steel
30KHC0850800	80	HTD 8M 4	8	85	3020	203,72	-	95,0	51	-	10,00	Cast Iron
30KHC0850900	90	HTD 8M 9W	8	85	3020	229,18	-	95,0	51	170	10,80	Cast Iron
30KHC0851120	112	HTD 8M 9W	8	85	3020	285,21	-	95,0	51	170	15,00	Cast Iron
30KHC0851440	144	HTD 8M 9A	8	85	3525	366,69	-	95,0	65	198	20,00	Cast Iron
30KHC0851680	168	HTD 8M 9A	8	85	3525	427,81	-	95,0	65	198	22,00	Cast Iron
30KHC0851920	192	HTD 8M 9A	8	85	3525	488,92	-	95,0	65	198	26,00	Cast Iron

Ook leverbaar in klantspecifieke uitvoering
 Also available with customized applications

TANDRIEMPOELIES HTD 14M-40
TIMING BELT PULLEYS HTD 14M-40
ZAHNRIEMENSCHLEIBEN HTD 14M-40
POULIES DENTÉES HTD 14M-40



Taperlock uitvoering
 Taperlock execution

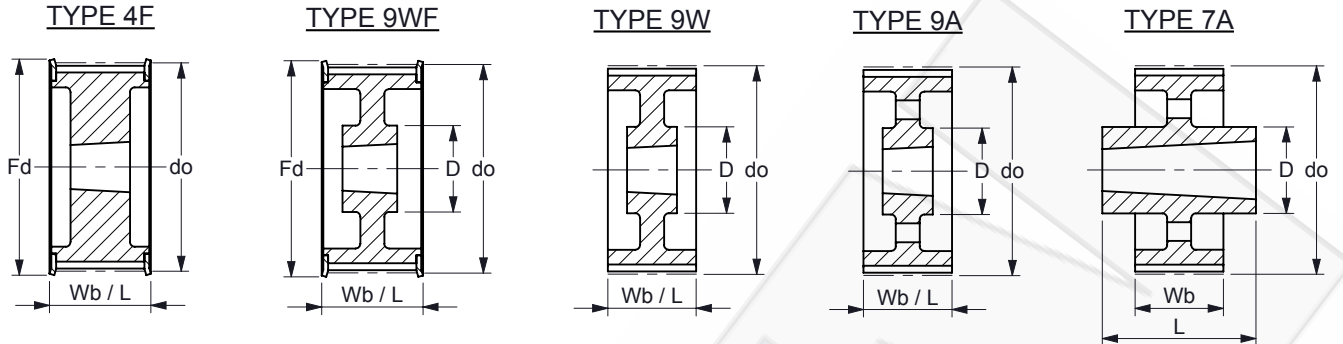


K.T.N. Number	z	type		p	belt width [mm]	Bush	do [mm]	Fd [mm]	Wb [mm]	L [mm]	D [mm]	q ca. [kg/pc]	Mat.
				[mm]									
30KHD0400280	28	HTD 14M	4F	14	40	2012	124,78	128,0	54,0	32	-	2,07	Steel
30KHD0400290	29	HTD 14M	4F	14	40	2012	129,23	138,0	54,0	32	-	2,38	Steel
30KHD0400300	30	HTD 14M	4F	14	40	2012	133,69	138,0	54,0	32	-	2,65	Steel
30KHD0400320	32	HTD 14M	4F	14	40	2012	142,60	154,0	54,0	32	-	3,40	Steel
30KHD0400340	34	HTD 14M	4F	14	40	2517	151,52	160,0	54,0	45	-	3,87	Steel
30KHD0400360	36	HTD 14M	4F	14	40	2517	160,43	168,0	54,0	45	-	4,80	Steel
30KHD0400380	38	HTD 14M	4F	14	40	2517	169,34	184,0	54,0	45	-	5,40	Steel
30KHD0400400	40	HTD 14M	4F	14	40	2517	178,25	188,0	54,0	45	-	6,00	Steel
30KHD0400440	44	HTD 14M	4F	14	40	3020	196,08	212,0	54,0	51	-	7,80	Steel
30KHD0400480	48	HTD 14M	4F	14	40	3020	213,90	226,0	54,0	51	-	9,40	Steel
30KHD0400560	56	HTD 14M	9WF	14	40	3020	249,55	256,0	54,0	51	170	10,80	Steel
30KHD0400640	64	HTD 14M	9WF	14	40	3020	285,21	296,0	54,0	51	170	13,40	Cast Iron
30KHD0400720	72	HTD 14M	9W	14	40	3020	320,86	-	54,0	51	170	15,20	Cast Iron
30KHD0400800	80	HTD 14M	9A	14	40	3020	356,51	-	54,0	51	170	16,00	Cast Iron
30KHD0400900	90	HTD 14M	9A	14	40	3020	401,07	-	54,0	51	170	17,80	Cast Iron
30KHD0401120	112	HTD 14M	9A	14	40	3020	499,11	-	54,0	51	170	25,60	Cast Iron
30KHD0401440	144	HTD 14M	9A	14	40	3020	641,71	-	54,0	51	170	32,00	Cast Iron
30KHD0401680	168	HTD 14M	9A	14	40	3020	748,66	-	54,0	51	170	44,00	Cast Iron
30KHD0401920	192	HTD 14M	7A	14	40	3535	855,62	-	54,0	89	190	49,00	Cast Iron
30KHD0402160	216	HTD 14M	7A	14	40	3535	962,57	-	54,0	89	190	55,00	Cast Iron

Ook leverbaar in klantspecifieke uitvoering
 Also available with customized applications

TANDRIEMPOELIES HTD 14M-55
TIMING BELT PULLEYS HTD 14M-55
ZAHNRIEMENSCHLEIBEN HTD 14M-55
POULIES DENTÉES HTD 14M-55

Taperlock uitvoering
 Taperlock execution

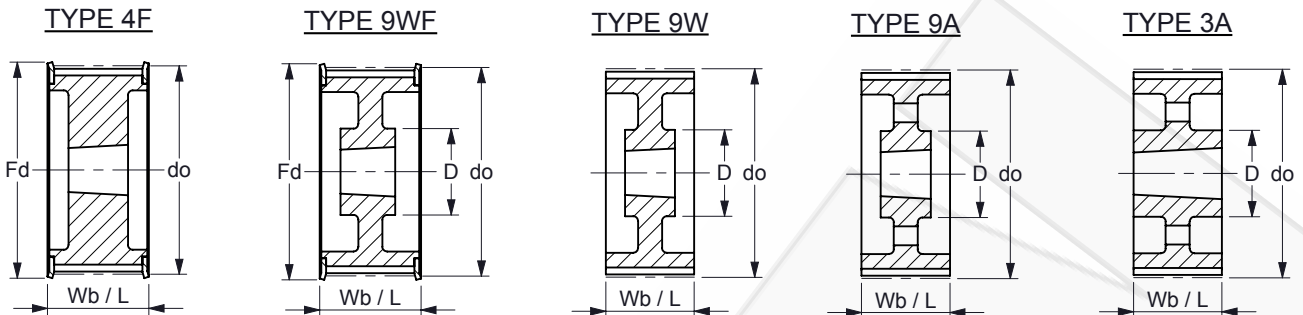


K.T.N. Number	z	type		p	belt width [mm]	Bush	do [mm]	Fd [mm]	Wb [mm]	L [mm]	D [mm]	q ca. [kg/pc]	Mat.
				[mm]									
30KHD0550280	28	HTD 14M	4F	14	55	2012	124,78	128,0	70,0	32	-	2,20	Steel
30KHD0550290	29	HTD 14M	4F	14	55	2012	129,23	138,0	70,0	32	-	2,74	Steel
30KHD0550300	30	HTD 14M	4F	14	55	2517	133,69	138,0	70,0	45	-	2,70	Steel
30KHD0550320	32	HTD 14M	4F	14	55	2517	142,60	154,0	70,0	45	-	3,66	Steel
30KHD0550340	34	HTD 14M	4F	14	55	2517	151,52	160,0	70,0	45	-	4,55	Steel
30KHD0550360	36	HTD 14M	4F	14	55	2517	160,43	168,0	70,0	45	-	5,20	Steel
30KHD0550380	38	HTD 14M	4F	14	55	2517	169,34	184,0	70,0	45	-	6,20	Steel
30KHD0550400	40	HTD 14M	4F	14	55	2517	178,25	188,0	70,0	45	-	7,00	Steel
30KHD0550440	44	HTD 14M	4F	14	55	3020	196,08	212,0	70,0	51	-	8,60	Steel
30KHD0550480	48	HTD 14M	4F	14	55	3020	213,90	226,0	70,0	51	-	10,40	Steel
30KHD0550560	56	HTD 14M	9WF	14	55	3020	249,55	256,0	70,0	51	170	12,40	Steel
30KHD0550640	64	HTD 14M	9WF	14	55	3020	285,21	296,0	70,0	51	170	14,50	Cast Iron
30KHD0550720	72	HTD 14M	9W	14	55	3020	320,86	-	70,0	51	170	16,20	Cast Iron
30KHD0550800	80	HTD 14M	9A	14	55	3020	356,51	-	70,0	51	170	17,50	Cast Iron
30KHD0550900	90	HTD 14M	9A	14	55	3020	401,07	-	70,0	51	170	20,10	Cast Iron
30KHD0551120	112	HTD 14M	9A	14	55	3020	499,11	-	70,0	51	170	28,40	Cast Iron
30KHD0551440	144	HTD 14M	9A	14	55	3020	641,71	-	70,0	51	170	36,20	Cast Iron
30KHD0551680	168	HTD 14M	9A	14	55	3020	748,66	-	70,0	51	170	49,00	Cast Iron
30KHD0551920	192	HTD 14M	7A	14	55	3535	855,62	-	70,0	89	190	53,00	Cast Iron
30KHD0552160	216	HTD 14M	7A	14	55	3535	962,57	-	70,0	89	190	65,80	Cast Iron

Ook leverbaar in klantspecifieke uitvoering
 Also available with customized applications

TANDRIEMPOELIES HTD 14M-85
TIMING BELT PULLEYS HTD 14M-85
ZAHNRIEMENSCHLEIBEN HTD 14M-85
POULIES DENTÉES HTD 14M-85

Taperlock uitvoering
 Taperlock execution

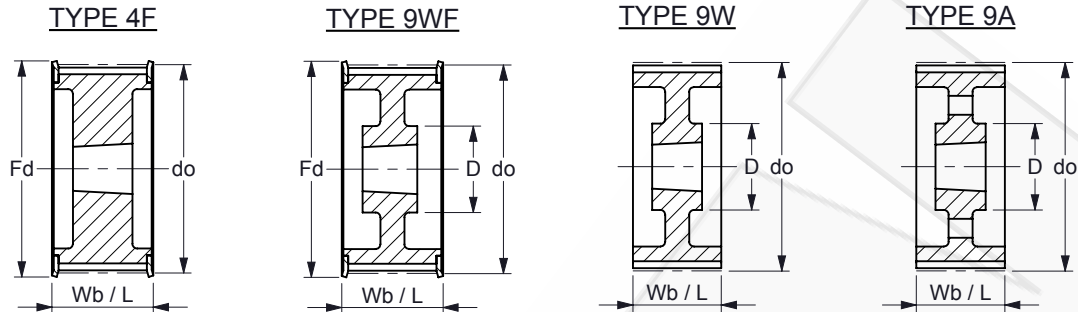


K.T.N. Number	z	type	p	belt width	Bush	do	Fd	Wb	L	D	q ca.	Mat.
30KHD0850280	28	HTD 14M 4F	14	85	2517	124,78	128,0	102,0	45	-	2,70	Steel
30KHD0850290	29	HTD 14M 4F	14	85	2517	129,23	138,0	102,0	45	-	3,40	Steel
30KHD0850300	30	HTD 14M 4F	14	85	2517	133,69	138,0	102,0	45	-	3,75	Steel
30KHD0850320	32	HTD 14M 4F	14	85	2517	142,60	154,0	102,0	45	-	4,80	Steel
30KHD0850340	34	HTD 14M 4F	14	85	2517	151,52	160,0	102,0	45	-	6,00	Steel
30KHD0850360	36	HTD 14M 4F	14	85	3020	160,43	168,0	102,0	51	-	5,80	Steel
30KHD0850380	38	HTD 14M 4F	14	85	3020	169,34	184,0	102,0	51	-	6,80	Steel
30KHD0850400	40	HTD 14M 4F	14	85	3020	178,25	188,0	102,0	51	-	8,00	Steel
30KHD0850440	44	HTD 14M 4F	14	85	3020	196,08	212,0	102,0	51	-	11,80	Steel
30KHD0850480	48	HTD 14M 4F	14	85	3020	213,90	226,0	102,0	51	-	15,10	Steel
30KHD0850560	56	HTD 14M 4F	14	85	3525	249,55	256,0	102,0	65	-	19,00	Steel
30KHD0850640	64	HTD 14M 9WF	14	85	3525	285,21	296,0	102,0	65	190	23,00	Cast Iron
30KHD0850720	72	HTD 14M 9W	14	85	3525	320,86	-	102,0	65	190	25,00	Cast Iron
30KHD0850800	80	HTD 14M 9A	14	85	3525	356,51	-	102,0	65	190	26,00	Cast Iron
30KHD0850900	90	HTD 14M 9A	14	85	3525	401,07	-	102,0	65	190	27,80	Cast Iron
30KHD0851120	112	HTD 14M 9A	14	85	3525	499,11	-	102,0	65	190	36,50	Cast Iron
30KHD0851440	144	HTD 14M 9A	14	85	3525	641,71	-	102,0	65	190	48,00	Cast Iron
30KHD0851680	168	HTD 14M 9A	14	85	3525	748,66	-	102,0	65	190	60,00	Cast Iron
30KHD0851920	192	HTD 14M 3A	14	85	4040	855,62	-	102,0	102	190	86,00	Cast Iron
30KHD0852160	216	HTD 14M 3A	14	85	4040	962,57	-	102,0	102	190	91,50	Cast Iron

Ook leverbaar in klantspecifieke uitvoering
 Also available with customized applications

TANDRIEMPOELIES HTD 14M-115
TIMING BELT PULLEYS HTD 14M-115
ZAHNRIEMENSCHLEIBEN HTD 14M-115
POULIES DENTÉES HTD 14M-115

Taperlock uitvoering
 Taperlock execution

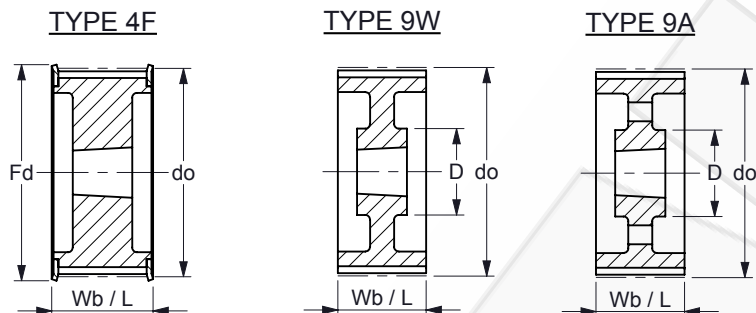


K.T.N. Number	z	type		p	belt width [mm]	Bush	do [mm]	Fd [mm]	Wb [mm]	L [mm]	D [mm]	q ca. [kg/pc]	Mat.
				[mm]									
30KHD1150280	28	HTD 14M	4F	14	115	2517	124,78	128,0	133,0	45	-	3,77	Steel
30KHD1150290	29	HTD 14M	4F	14	115	2517	129,23	138,0	133,0	45	-	4,00	Steel
30KHD1150300	30	HTD 14M	4F	14	115	2517	133,69	138,0	133,0	45	-	5,00	Steel
30KHD1150320	32	HTD 14M	4F	14	115	2517	142,60	154,0	133,0	45	-	6,80	Steel
30KHD1150340	34	HTD 14M	4F	14	115	2517	151,52	160,0	133,0	45	-	6,80	Steel
30KHD1150360	36	HTD 14M	4F	14	115	3020	160,43	168,0	133,0	51	-	7,00	Steel
30KHD1150380	38	HTD 14M	4F	14	115	3020	169,34	184,0	133,0	51	-	8,40	Steel
30KHD1150400	40	HTD 14M	4F	14	115	3020	178,25	188,0	133,0	51	-	9,20	Steel
30KHD1150440	44	HTD 14M	4F	14	115	3030	196,08	212,0	133,0	76	-	14,00	Steel
30KHD1150480	48	HTD 14M	4F	14	115	3030	213,90	226,0	133,0	76	-	17,10	Steel
30KHD1150560	56	HTD 14M	4F	14	115	3535	249,55	256,0	133,0	89	-	24,80	Steel
30KHD1150640	64	HTD 14M	9WF	14	115	3535	285,21	296,0	133,0	89	190	27,00	Cast Iron
30KHD1150720	72	HTD 14M	9W	14	115	3535	320,86	-	133,0	89	190	29,00	Cast Iron
30KHD1150800	80	HTD 14M	9A	14	115	3535	356,51	-	133,0	89	190	32,00	Cast Iron
30KHD1150900	90	HTD 14M	9A	14	115	3535	401,07	-	133,0	89	190	36,50	Cast Iron
30KHD1151120	112	HTD 14M	9A	14	115	3535	499,11	-	133,0	89	190	46,00	Cast Iron
30KHD1151440	144	HTD 14M	9A	14	115	4040	641,71	-	133,0	102	230	68,00	Cast Iron
30KHD1151680	168	HTD 14M	9A	14	115	4040	748,66	-	133,0	102	230	82,60	Cast Iron
30KHD1151920	192	HTD 14M	9A	14	115	4040	855,62	-	133,0	102	230	96,00	Cast Iron
30KHD1152160	216	HTD 14M	9A	14	115	4040	962,57	-	133,0	102	230	107,00	Cast Iron

Ook leverbaar in klantspecifieke uitvoering
 Also available with customized applications

TANDRIEMPOELIES HTD 14M-170
TIMING BELT PULLEYS HTD 14M-170
ZAHNRIEMENSCHLEIBEN HTD 14M-170
POULIES DENTÉES HTD 14M-170

Taperlock uitvoering
 Taperlock execution



K.T.N. Number	z	type		p	belt width [mm]	Bush	do [mm]	Fd [mm]	Wb [mm]	L [mm]	D [mm]	q ca. [kg/pc]	Mat.
				[mm]									
30KHD1700380	38	HTD 14M	4F	14	170	3030	169,34	184,0	187,0	76	-	11,70	Steel
30KHD1700400	40	HTD 14M	4F	14	170	3030	178,25	188,0	187,0	76	-	13,00	Steel
30KHD1700440	44	HTD 14M	4F	14	170	3535	196,08	212,0	187,0	89	-	15,00	Steel
30KHD1700480	48	HTD 14M	4F	14	170	3535	213,90	226,0	187,0	89	-	19,00	Steel
30KHD1700560	56	HTD 14M	4F	14	170	3535	249,55	256,0	187,0	89	-	28,50	Steel
30KHD1700640	64	HTD 14M	4F	14	170	4040	285,21	296,0	187,0	102	-	41,00	Cast Iron
30KHD1700720	72	HTD 14M	9W	14	170	4040	320,86	-	187,0	102	230	46,90	Cast Iron
30KHD1700800	80	HTD 14M	9W	14	170	4040	356,51	-	187,0	102	230	48,00	Cast Iron
30KHD1700900	90	HTD 14M	9A	14	170	4040	401,07	-	187,0	102	230	52,50	Cast Iron
30KHD1701120	112	HTD 14M	9A	14	170	5050	499,11	-	187,0	127	265	74,50	Cast Iron
30KHD1701440	144	HTD 14M	9A	14	170	5050	641,71	-	187,0	127	265	91,00	Cast Iron
30KHD1701680	168	HTD 14M	9A	14	170	5050	748,66	-	187,0	127	265	116,00	Cast Iron
30KHD1701920	192	HTD 14M	9A	14	170	5050	855,62	-	187,0	127	265	134,00	Cast Iron
30KHD1702160	216	HTD 14M	9A	14	170	5050	962,57	-	187,0	127	265	146,50	Cast Iron

Ook leverbaar in klantspecifieke uitvoering
 Also available with customized applications