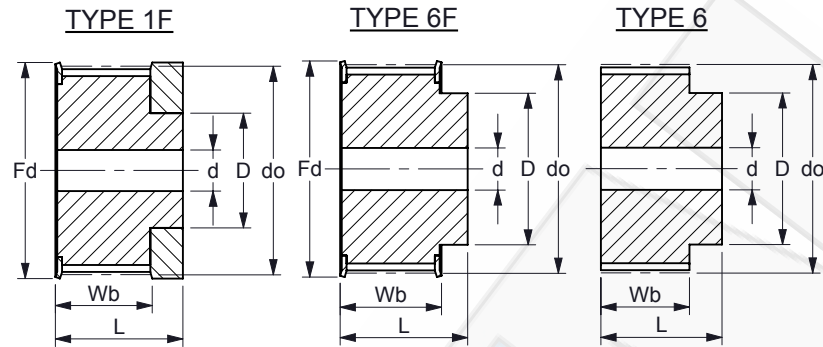


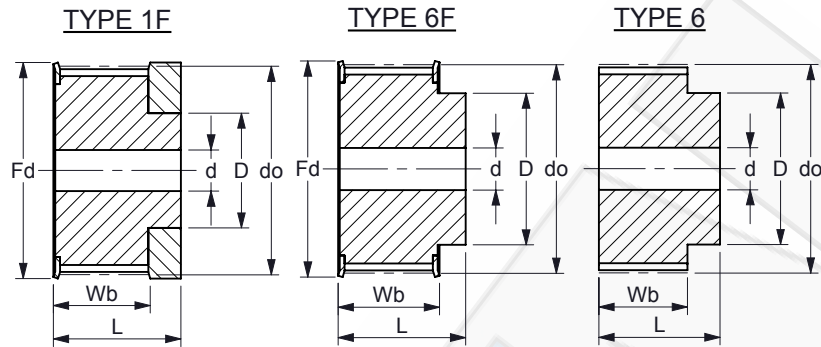
TANDRIEMPOELIES HTD 3M-06
TIMING BELT PULLEYS HTD 3M-06
ZAHNRIEMENSCHLEIBEN HTD 3M-06
POULIES DENTÉES HTD 3M-06



| K.T.N. Number | z | type | p | belt width | do | Fd | Wb | L | D | d | q ca. | Mat. |
|------------------|----|-----------|---|---------------|-------|------|------|------|------|---|----------|------|
| | | | | | | | | | | | | |
| 30CHA0060100 | 10 | HTD 3M 1F | 3 | 6 | 9,55 | 13,0 | 7,2 | 14,5 | 6,0 | 4 | 0,003 | Alu |
| 30CHA0060120 | 12 | HTD 3M 1F | 3 | 6 | 11,46 | 15,0 | 7,2 | 14,5 | 8,0 | 4 | 0,004 | Alu |
| 30CHA0060140 | 14 | HTD 3M 1F | 3 | 6 | 13,37 | 16,0 | 7,2 | 14,5 | 9,5 | 4 | 0,005 | Alu |
| 30CHA0060150 | 15 | HTD 3M 1F | 3 | 6 | 14,32 | 17,5 | 7,2 | 14,5 | 11,6 | 4 | 0,006 | Alu |
| 30CHA0060160 | 16 | HTD 3M 6F | 3 | 6 | 15,28 | 18,0 | 9,8 | 17,5 | 10,0 | 4 | 0,006 | Alu |
| 30CHA0060180 | 18 | HTD 3M 6F | 3 | 6 | 17,19 | 20,0 | 9,8 | 17,5 | 11,0 | 6 | 0,007 | Alu |
| 30CHA0060200 | 20 | HTD 3M 6F | 3 | 6 | 19,10 | 23,0 | 9,8 | 17,5 | 13,0 | 6 | 0,008 | Alu |
| 30CHA0060210 | 21 | HTD 3M 6F | 3 | 6 | 20,05 | 25,0 | 9,8 | 17,5 | 13,0 | 6 | 0,010 | Alu |
| 30CHA0060220 | 22 | HTD 3M 6F | 3 | 6 | 21,01 | 25,0 | 9,8 | 17,5 | 13,0 | 6 | 0,012 | Alu |
| 30CHA0060240 | 24 | HTD 3M 6F | 3 | 6 | 22,92 | 25,0 | 9,8 | 17,5 | 13,0 | 6 | 0,014 | Alu |
| 30CHA0060260 | 26 | HTD 3M 6F | 3 | 6 | 24,83 | 28,0 | 9,8 | 17,5 | 16,0 | 6 | 0,015 | Alu |
| 30CHA0060280 | 28 | HTD 3M 6F | 3 | 6 | 26,74 | 32,0 | 9,8 | 17,5 | 18,0 | 6 | 0,020 | Alu |
| 30CHA0060300 | 30 | HTD 3M 6F | 3 | 6 | 28,65 | 32,0 | 9,8 | 17,5 | 20,0 | 6 | 0,023 | Alu |
| 30CHA0060320 | 32 | HTD 3M 6F | 3 | 6 | 30,56 | 36,0 | 9,8 | 17,5 | 22,0 | 6 | 0,027 | Alu |
| 30CHA0060360 | 36 | HTD 3M 6F | 3 | 6 | 34,38 | 38,0 | 10,3 | 18,0 | 26,0 | 6 | 0,039 | Alu |
| 30CHA0060400 | 40 | HTD 3M 6F | 3 | 6 | 38,20 | 42,0 | 10,3 | 18,0 | 28,0 | 6 | 0,045 | Alu |
| 30CHA0060440 | 44 | HTD 3M 6F | 3 | 6 | 42,02 | 48,0 | 10,3 | 18,0 | 33,0 | 6 | 0,060 | Alu |
| 30CHA0060480 | 48 | HTD 3M 6 | 3 | 6 | 45,84 | - | 10,3 | 18,6 | 33,0 | 8 | 0,064 | Alu |
| 30CHA0060600 | 60 | HTD 3M 6 | 3 | 6 | 57,30 | - | 10,3 | 18,6 | 33,0 | 8 | 0,090 | Alu |
| 30CHA0060720 | 72 | HTD 3M 6 | 3 | 6 | 68,75 | - | 10,3 | 18,6 | 33,0 | 8 | 0,115 | Alu |

Ook leverbaar in klantspecifieke uitvoering
 Also available with customized applications

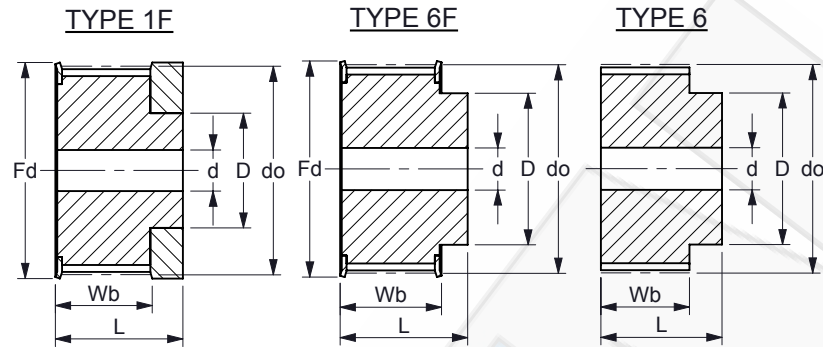
TANDRIEMPOELIES HTD 3M-09
TIMING BELT PULLEYS HTD 3M-09
ZAHNRIEMENSCHLEIBEN HTD 3M-09
POULIES DENTÉES HTD 3M-09



| K.T.N. Number | z | type | p | belt width | do | Fd | Wb | L | D | d | q ca. | Mat. |
|---------------|----|-----------|---|------------|-------|------|------|------|------|---|-------|------|
| | | | | | | | | | | | | |
| 30CHA0090100 | 10 | HTD 3M 1F | 3 | 9 | 9,55 | 13,0 | 10,2 | 17,5 | 6,0 | 4 | 0,004 | Alu |
| 30CHA0090120 | 12 | HTD 3M 1F | 3 | 9 | 11,46 | 15,0 | 10,2 | 17,5 | 8,0 | 4 | 0,006 | Alu |
| 30CHA0090140 | 14 | HTD 3M 1F | 3 | 9 | 13,37 | 16,0 | 10,2 | 17,5 | 9,5 | 4 | 0,007 | Alu |
| 30CHA0090150 | 15 | HTD 3M 1F | 3 | 9 | 14,32 | 17,5 | 10,2 | 17,5 | 11,6 | 4 | 0,008 | Alu |
| 30CHA0090160 | 16 | HTD 3M 6F | 3 | 9 | 15,28 | 18,0 | 12,8 | 20,6 | 10,0 | 4 | 0,007 | Alu |
| 30CHA0090180 | 18 | HTD 3M 6F | 3 | 9 | 17,19 | 20,0 | 12,8 | 20,6 | 11,0 | 6 | 0,008 | Alu |
| 30CHA0090200 | 20 | HTD 3M 6F | 3 | 9 | 19,10 | 23,0 | 12,8 | 20,6 | 13,0 | 6 | 0,010 | Alu |
| 30CHA0090210 | 21 | HTD 3M 6F | 3 | 9 | 20,05 | 25,0 | 12,8 | 20,6 | 13,0 | 6 | 0,013 | Alu |
| 30CHA0090220 | 22 | HTD 3M 6F | 3 | 9 | 21,01 | 25,0 | 12,8 | 20,6 | 13,0 | 6 | 0,014 | Alu |
| 30CHA0090240 | 24 | HTD 3M 6F | 3 | 9 | 22,92 | 25,0 | 12,8 | 20,6 | 13,0 | 6 | 0,016 | Alu |
| 30CHA0090260 | 26 | HTD 3M 6F | 3 | 9 | 24,83 | 28,0 | 12,8 | 20,6 | 16,0 | 6 | 0,018 | Alu |
| 30CHA0090280 | 28 | HTD 3M 6F | 3 | 9 | 26,74 | 32,0 | 12,8 | 20,6 | 18,0 | 6 | 0,024 | Alu |
| 30CHA0090300 | 30 | HTD 3M 6F | 3 | 9 | 28,65 | 32,0 | 12,8 | 20,6 | 20,0 | 6 | 0,028 | Alu |
| 30CHA0090320 | 32 | HTD 3M 6F | 3 | 9 | 30,56 | 36,0 | 12,8 | 20,6 | 22,0 | 6 | 0,032 | Alu |
| 30CHA0090360 | 36 | HTD 3M 6F | 3 | 9 | 34,38 | 38,0 | 13,4 | 22,2 | 26,0 | 6 | 0,045 | Alu |
| 30CHA0090400 | 40 | HTD 3M 6F | 3 | 9 | 38,20 | 42,0 | 13,4 | 22,2 | 28,0 | 6 | 0,055 | Alu |
| 30CHA0090440 | 44 | HTD 3M 6F | 3 | 9 | 42,02 | 48,0 | 13,4 | 22,2 | 33,0 | 6 | 0,074 | Alu |
| 30CHA0090480 | 48 | HTD 3M 6 | 3 | 9 | 45,84 | - | 13,4 | 22,2 | 33,0 | 8 | 0,074 | Alu |
| 30CHA0090600 | 60 | HTD 3M 6 | 3 | 9 | 57,30 | - | 13,4 | 22,2 | 33,0 | 8 | 0,106 | Alu |
| 30CHA0090720 | 72 | HTD 3M 6 | 3 | 9 | 68,75 | - | 13,4 | 22,2 | 33,0 | 8 | 0,145 | Alu |

Ook leverbaar in klantspecifieke uitvoering
 Also available with customized applications

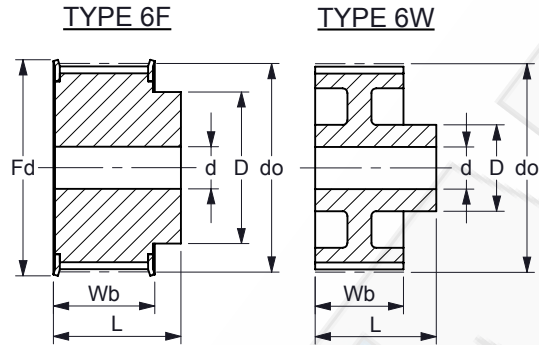
TANDRIEMPOELIES HTD 3M-15
TIMING BELT PULLEYS HTD 3M-15
ZAHNRIEMENSCHLEIBEN HTD 3M-15
POULIES DENTÉES HTD 3M-15



| K.T.N. Number | z | type | p | belt width | do | Fd | Wb | L | D | d | q ca. | Mat. | |
|------------------|----|--------|----|---------------|----|-------|------|------|----|------|----------|-------|------|
| | | | | | | | | | | | | | [mm] |
| 30CHA0150100 | 10 | HTD 3M | 1F | 3 | 15 | 9,55 | 13,0 | 17,0 | 26 | 6,0 | 4 | 0,006 | Alu |
| 30CHA0150120 | 12 | HTD 3M | 1F | 3 | 15 | 11,46 | 15,0 | 17,0 | 26 | 8,0 | 4 | 0,008 | Alu |
| 30CHA0150140 | 14 | HTD 3M | 1F | 3 | 15 | 13,37 | 16,0 | 17,0 | 26 | 9,5 | 4 | 0,010 | Alu |
| 30CHA0150150 | 15 | HTD 3M | 1F | 3 | 15 | 14,32 | 17,5 | 17,0 | 26 | 11,6 | 4 | 0,012 | Alu |
| 30CHA0150160 | 16 | HTD 3M | 6F | 3 | 15 | 15,28 | 18,0 | 19,5 | 26 | 10,0 | 4 | 0,010 | Alu |
| 30CHA0150180 | 18 | HTD 3M | 6F | 3 | 15 | 17,19 | 20,0 | 19,5 | 26 | 11,0 | 6 | 0,012 | Alu |
| 30CHA0150200 | 20 | HTD 3M | 6F | 3 | 15 | 19,10 | 23,0 | 19,5 | 26 | 12,0 | 6 | 0,014 | Alu |
| 30CHA0150210 | 21 | HTD 3M | 6F | 3 | 15 | 20,05 | 25,0 | 19,5 | 26 | 13,0 | 6 | 0,016 | Alu |
| 30CHA0150220 | 22 | HTD 3M | 6F | 3 | 15 | 21,01 | 25,0 | 19,5 | 26 | 13,0 | 6 | 0,018 | Alu |
| 30CHA0150240 | 24 | HTD 3M | 6F | 3 | 15 | 22,92 | 25,0 | 19,5 | 26 | 13,0 | 6 | 0,020 | Alu |
| 30CHA0150260 | 26 | HTD 3M | 6F | 3 | 15 | 24,83 | 28,0 | 19,5 | 26 | 16,0 | 6 | 0,027 | Alu |
| 30CHA0150280 | 28 | HTD 3M | 6F | 3 | 15 | 26,74 | 32,0 | 19,5 | 26 | 18,0 | 6 | 0,030 | Alu |
| 30CHA0150300 | 30 | HTD 3M | 6F | 3 | 15 | 28,65 | 32,0 | 19,5 | 26 | 20,0 | 6 | 0,035 | Alu |
| 30CHA0150320 | 32 | HTD 3M | 6F | 3 | 15 | 30,56 | 36,0 | 19,5 | 26 | 22,0 | 6 | 0,042 | Alu |
| 30CHA0150360 | 36 | HTD 3M | 6F | 3 | 15 | 34,38 | 38,0 | 20,0 | 30 | 26,0 | 6 | 0,060 | Alu |
| 30CHA0150400 | 40 | HTD 3M | 6F | 3 | 15 | 38,20 | 42,0 | 20,0 | 30 | 28,0 | 6 | 0,075 | Alu |
| 30CHA0150440 | 44 | HTD 3M | 6F | 3 | 15 | 42,02 | 48,0 | 20,0 | 30 | 33,0 | 6 | 0,095 | Alu |
| 30CHA0150480 | 48 | HTD 3M | 6 | 3 | 15 | 45,84 | - | 20,0 | 30 | 33,0 | 8 | 0,103 | Alu |
| 30CHA0150600 | 60 | HTD 3M | 6 | 3 | 15 | 57,30 | - | 20,0 | 30 | 33,0 | 8 | 0,150 | Alu |
| 30CHA0150720 | 72 | HTD 3M | 6 | 3 | 15 | 68,75 | - | 20,0 | 30 | 33,0 | 8 | 0,212 | Alu |

Ook leverbaar in klantspecifieke uitvoering
 Also available with customized applications

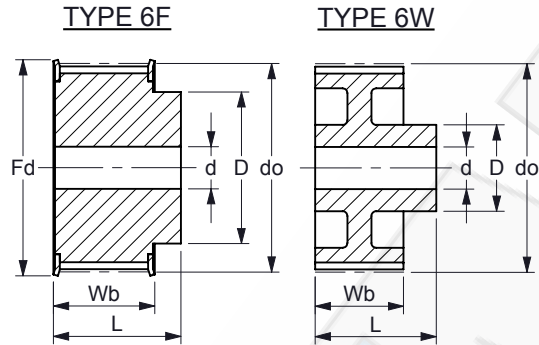
TANDRIEMPOELIES HTD 5M-09
TIMING BELT PULLEYS HTD 5M-09
ZAHNRIEMENSCHLEIBEN HTD 5M-09
POULIES DENTÉES HTD 5M-09



| K.T.N. Number | z | type | p | belt width | do | Fd | Wb | L | D | d | q ca. | Mat. |
|---------------|----|-----------|---|------------|--------|------|------|------|------|---|-------|-------|
| | | | | | | | | | | | | |
| 30CHB0090120 | 12 | HTD 5M 6F | 5 | 9 | 19,10 | 23,0 | 14,5 | 20,0 | 12,0 | 4 | 0,03 | Steel |
| 30CHB0090140 | 14 | HTD 5M 6F | 5 | 9 | 22,28 | 25,0 | 14,5 | 20,0 | 13,0 | 6 | 0,03 | Steel |
| 30CHB0090150 | 15 | HTD 5M 6F | 5 | 9 | 23,87 | 28,0 | 14,5 | 20,0 | 16,0 | 6 | 0,04 | Steel |
| 30CHB0090160 | 16 | HTD 5M 6F | 5 | 9 | 25,46 | 28,0 | 14,5 | 20,0 | 16,5 | 6 | 0,05 | Steel |
| 30CHB0090180 | 18 | HTD 5M 6F | 5 | 9 | 28,65 | 32,0 | 14,5 | 20,0 | 20,0 | 6 | 0,07 | Steel |
| 30CHB0090200 | 20 | HTD 5M 6F | 5 | 9 | 31,83 | 36,0 | 14,5 | 22,5 | 23,0 | 6 | 0,09 | Steel |
| 30CHB0090210 | 21 | HTD 5M 6F | 5 | 9 | 33,42 | 38,0 | 14,5 | 22,5 | 24,0 | 6 | 0,11 | Steel |
| 30CHB0090220 | 22 | HTD 5M 6F | 5 | 9 | 35,01 | 38,0 | 14,5 | 22,5 | 25,5 | 6 | 0,12 | Steel |
| 30CHB0090240 | 24 | HTD 5M 6F | 5 | 9 | 38,20 | 42,0 | 14,5 | 22,5 | 27,0 | 6 | 0,15 | Steel |
| 30CHB0090260 | 26 | HTD 5M 6F | 5 | 9 | 41,38 | 44,0 | 14,5 | 22,5 | 30,0 | 6 | 0,17 | Steel |
| 30CHB0090280 | 28 | HTD 5M 6F | 5 | 9 | 44,56 | 48,0 | 14,5 | 22,5 | 30,5 | 6 | 0,20 | Steel |
| 30CHB0090300 | 30 | HTD 5M 6F | 5 | 9 | 47,75 | 51,0 | 14,5 | 22,5 | 35,0 | 6 | 0,24 | Steel |
| 30CHB0090320 | 32 | HTD 5M 6F | 5 | 9 | 50,93 | 54,0 | 14,5 | 22,5 | 38,0 | 8 | 0,21 | Steel |
| 30CHB0090360 | 36 | HTD 5M 6F | 5 | 9 | 57,30 | 60,0 | 14,5 | 22,5 | 38,0 | 8 | 0,32 | Steel |
| 30CHB0090400 | 40 | HTD 5M 6F | 5 | 9 | 63,66 | 70,0 | 14,5 | 22,5 | 38,0 | 8 | 0,40 | Steel |
| 30CHB0090440 | 44 | HTD 5M 6W | 5 | 9 | 70,03 | - | 14,5 | 25,5 | 38,0 | 8 | 0,17 | Steel |
| 30CHB0090480 | 48 | HTD 5M 6W | 5 | 9 | 76,39 | - | 14,5 | 25,5 | 45,0 | 8 | 0,18 | Alu |
| 30CHB0090600 | 60 | HTD 5M 6W | 5 | 9 | 95,46 | - | 14,5 | 25,5 | 45,0 | 8 | 0,23 | Alu |
| 30CHB0090720 | 72 | HTD 5M 6W | 5 | 9 | 114,59 | - | 14,5 | 25,5 | 45,0 | 8 | 0,27 | Alu |

Ook leverbaar in klantspecifieke uitvoering
 Also available with customized applications

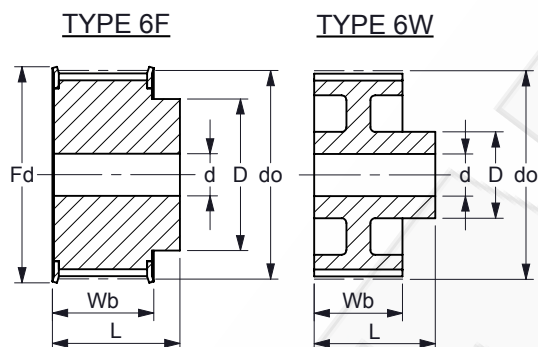
TANDRIEMPOELIES HTD 5M-15
TIMING BELT PULLEYS HTD 5M-15
ZAHNRIEMENSCHLEIBEN HTD 5M-15
POULIES DENTÉES HTD 5M-15



| K.T.N. Number | z | type | p | belt width | do | Fd | Wb | L | D | d | q ca. | Mat. |
|---------------|----|-----------|---|------------|--------|------|------|----|------|---|-------|-------|
| | | | | | | | | | | | | |
| 30CHB0150120 | 12 | HTD 5M 6F | 5 | 15 | 19,10 | 23,0 | 20,5 | 26 | 12,0 | 4 | 0,03 | Steel |
| 30CHB0150140 | 14 | HTD 5M 6F | 5 | 15 | 22,28 | 25,0 | 20,5 | 26 | 13,0 | 6 | 0,05 | Steel |
| 30CHB0150150 | 15 | HTD 5M 6F | 5 | 15 | 23,87 | 28,0 | 20,5 | 26 | 16,0 | 6 | 0,06 | Steel |
| 30CHB0150160 | 16 | HTD 5M 6F | 5 | 15 | 25,46 | 28,0 | 20,5 | 26 | 16,5 | 6 | 0,06 | Steel |
| 30CHB0150180 | 18 | HTD 5M 6F | 5 | 15 | 28,65 | 32,0 | 20,5 | 26 | 20,0 | 6 | 0,09 | Steel |
| 30CHB0150200 | 20 | HTD 5M 6F | 5 | 15 | 31,83 | 36,0 | 20,5 | 26 | 23,0 | 6 | 0,11 | Steel |
| 30CHB0150210 | 21 | HTD 5M 6F | 5 | 15 | 33,42 | 38,0 | 20,5 | 26 | 24,0 | 6 | 0,13 | Steel |
| 30CHB0150220 | 22 | HTD 5M 6F | 5 | 15 | 35,01 | 38,0 | 20,5 | 26 | 25,5 | 6 | 0,14 | Steel |
| 30CHB0150240 | 24 | HTD 5M 6F | 5 | 15 | 38,20 | 42,0 | 20,5 | 28 | 27,0 | 6 | 0,18 | Steel |
| 30CHB0150260 | 26 | HTD 5M 6F | 5 | 15 | 41,38 | 44,0 | 20,5 | 28 | 30,0 | 6 | 0,22 | Steel |
| 30CHB0150280 | 28 | HTD 5M 6F | 5 | 15 | 44,56 | 48,0 | 20,5 | 28 | 30,5 | 6 | 0,25 | Steel |
| 30CHB0150300 | 30 | HTD 5M 6F | 5 | 15 | 47,75 | 51,0 | 20,5 | 28 | 35,0 | 6 | 0,30 | Steel |
| 30CHB0150320 | 32 | HTD 5M 6F | 5 | 15 | 50,93 | 54,0 | 20,5 | 28 | 38,0 | 8 | 0,35 | Steel |
| 30CHB0150360 | 36 | HTD 5M 6F | 5 | 15 | 57,30 | 60,0 | 20,5 | 28 | 38,0 | 8 | 0,43 | Steel |
| 30CHB0150400 | 40 | HTD 5M 6F | 5 | 15 | 63,66 | 70,0 | 20,5 | 28 | 38,0 | 8 | 0,52 | Steel |
| 30CHB0150440 | 44 | HTD 5M 6W | 5 | 15 | 70,03 | - | 20,5 | 30 | 38,0 | 8 | 0,23 | Alu |
| 30CHB0150480 | 48 | HTD 5M 6W | 5 | 15 | 76,39 | - | 20,5 | 30 | 45,0 | 8 | 0,19 | Alu |
| 30CHB0150600 | 60 | HTD 5M 6W | 5 | 15 | 95,46 | - | 20,5 | 30 | 45,0 | 8 | 0,31 | Alu |
| 30CHB0150720 | 72 | HTD 5M 6W | 5 | 15 | 114,59 | - | 20,5 | 30 | 45,0 | 8 | 0,31 | Alu |

Ook leverbaar in klantspecifieke uitvoering
 Also available with customized applications

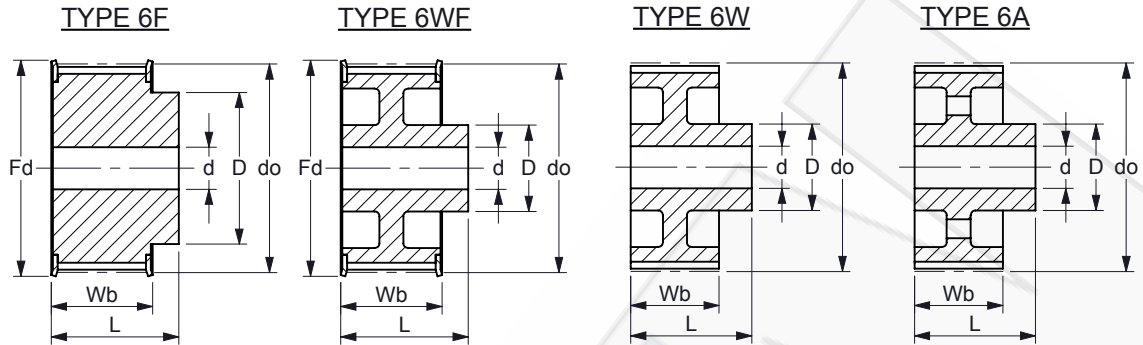
TANDRIEMPOELIES HTD 5M-25
TIMING BELT PULLEYS HTD 5M-25
ZAHNRIEMENSCHLEIBEN HTD 5M-25
POULIES DENTÉES HTD 5M-25



| K.T.N. Number | z | type | p | belt width | do | Fd | Wb | L | D | d | q ca. | Mat. |
|------------------|----|-----------|---|---------------|--------|------|------|----|------|---|----------|-------|
| | | | | | | | | | | | | |
| 30CHB0250120 | 12 | HTD 5M 6F | 5 | 25 | 19,10 | 23,0 | 30,5 | 36 | 12,0 | 4 | 0,05 | Steel |
| 30CHB0250140 | 14 | HTD 5M 6F | 5 | 25 | 22,28 | 25,0 | 30,5 | 36 | 13,0 | 6 | 0,07 | Steel |
| 30CHB0250150 | 15 | HTD 5M 6F | 5 | 25 | 23,87 | 28,0 | 30,5 | 36 | 16,0 | 6 | 0,08 | Steel |
| 30CHB0250160 | 16 | HTD 5M 6F | 5 | 25 | 25,46 | 28,0 | 30,5 | 36 | 16,5 | 6 | 0,10 | Steel |
| 30CHB0250180 | 18 | HTD 5M 6F | 5 | 25 | 28,65 | 32,0 | 30,5 | 36 | 20,0 | 6 | 0,12 | Steel |
| 30CHB0250200 | 20 | HTD 5M 6F | 5 | 25 | 31,83 | 36,0 | 30,5 | 36 | 23,0 | 6 | 0,16 | Steel |
| 30CHB0250210 | 21 | HTD 5M 6F | 5 | 25 | 33,42 | 38,0 | 30,5 | 38 | 24,0 | 6 | 0,19 | Steel |
| 30CHB0250220 | 22 | HTD 5M 6F | 5 | 25 | 35,01 | 38,0 | 30,5 | 38 | 25,5 | 6 | 0,21 | Steel |
| 30CHB0250240 | 24 | HTD 5M 6F | 5 | 25 | 38,20 | 42,0 | 30,5 | 38 | 27,0 | 6 | 0,25 | Steel |
| 30CHB0250260 | 26 | HTD 5M 6F | 5 | 25 | 41,38 | 44,0 | 30,5 | 38 | 30,0 | 6 | 0,30 | Steel |
| 30CHB0250280 | 28 | HTD 5M 6F | 5 | 25 | 44,56 | 48,0 | 30,5 | 38 | 30,5 | 6 | 0,35 | Steel |
| 30CHB0250300 | 30 | HTD 5M 6F | 5 | 25 | 47,75 | 51,0 | 30,5 | 38 | 35,0 | 6 | 0,42 | Steel |
| 30CHB0250320 | 32 | HTD 5M 6F | 5 | 25 | 50,93 | 54,0 | 30,5 | 38 | 38,0 | 8 | 0,48 | Steel |
| 30CHB0250360 | 36 | HTD 5M 6F | 5 | 25 | 57,30 | 60,0 | 30,5 | 38 | 38,0 | 8 | 0,59 | Steel |
| 30CHB0250400 | 40 | HTD 5M 6F | 5 | 25 | 63,66 | 70,0 | 30,5 | 38 | 38,0 | 8 | 0,74 | Steel |
| 30CHB0250440 | 44 | HTD 5M 6W | 5 | 25 | 70,03 | - | 30,5 | 40 | 38,0 | 8 | 0,32 | Alu |
| 30CHB0250480 | 48 | HTD 5M 6W | 5 | 25 | 76,39 | - | 30,5 | 40 | 45,0 | 8 | 0,28 | Alu |
| 30CHB0250600 | 60 | HTD 5M 6W | 5 | 25 | 95,46 | - | 30,5 | 40 | 45,0 | 8 | 0,44 | Alu |
| 30CHB0250720 | 72 | HTD 5M 6W | 5 | 25 | 114,59 | - | 30,5 | 40 | 45,0 | 8 | 0,53 | Alu |

Ook leverbaar in klantspecifieke uitvoering
 Also available with customized applications

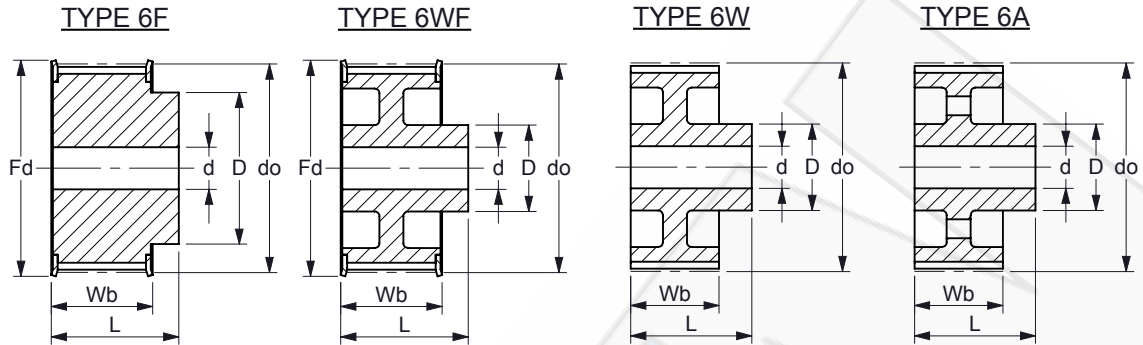
TANDRIEMPOELIES HTD 8M-20
TIMING BELT PULLEYS HTD 8M-20
ZAHNRIEMENSCHLEIBEN HTD 8M-20
POULIES DENTÉES HTD 8M-20



| K.T.N. Number | z | type | p | belt width | do | Fd | Wb | L | D | d | q ca. | Mat. | |
|------------------|-----|--------|-----|---------------|----|--------|-------|------|----|-------|----------|-------|-----------|
| | | | | | | | | | | | | | [mm] |
| 30CHC0200220 | 22 | HTD 8M | 6F | 8 | 20 | 56,02 | 60,0 | 28,0 | 38 | 43,0 | 12 | 0,54 | Steel |
| 30CHC0200240 | 24 | HTD 8M | 6F | 8 | 20 | 61,12 | 66,0 | 28,0 | 38 | 45,0 | 12 | 0,65 | Steel |
| 30CHC0200260 | 26 | HTD 8M | 6F | 8 | 20 | 66,21 | 70,0 | 28,0 | 38 | 48,0 | 12 | 0,80 | Steel |
| 30CHC0200280 | 28 | HTD 8M | 6F | 8 | 20 | 71,30 | 75,0 | 28,0 | 38 | 50,0 | 15 | 0,87 | Steel |
| 30CHC0200300 | 30 | HTD 8M | 6F | 8 | 20 | 76,39 | 83,0 | 28,0 | 38 | 55,0 | 15 | 1,02 | Steel |
| 30CHC0200320 | 32 | HTD 8M | 6F | 8 | 20 | 81,49 | 87,0 | 28,0 | 38 | 60,0 | 15 | 1,20 | Steel |
| 30CHC0200340 | 34 | HTD 8M | 6F | 8 | 20 | 86,58 | 91,0 | 28,0 | 38 | 70,0 | 15 | 1,40 | Steel |
| 30CHC0200360 | 36 | HTD 8M | 6F | 8 | 20 | 91,67 | 97,0 | 28,0 | 38 | 75,0 | 15 | 1,55 | Steel |
| 30CHC0200380 | 38 | HTD 8M | 6F | 8 | 20 | 96,77 | 102,0 | 28,0 | 38 | 75,0 | 15 | 1,65 | Steel |
| 30CHC0200400 | 40 | HTD 8M | 6F | 8 | 20 | 101,86 | 106,0 | 28,0 | 38 | 75,0 | 15 | 1,74 | Steel |
| 30CHC0200440 | 44 | HTD 8M | 6F | 8 | 20 | 112,05 | 120,0 | 28,0 | 38 | 75,0 | 15 | 2,10 | Steel |
| 30CHC0200480 | 48 | HTD 8M | 6F | 8 | 20 | 122,23 | 128,0 | 28,0 | 38 | 75,0 | 15 | 2,44 | Steel |
| 30CHC0200560 | 56 | HTD 8M | 6WF | 8 | 20 | 142,60 | 150,0 | 28,0 | 38 | 80,0 | 15 | 2,60 | Steel |
| 30CHC0200640 | 64 | HTD 8M | 6WF | 8 | 20 | 162,97 | 168,0 | 28,0 | 38 | 80,0 | 15 | 2,90 | Steel |
| 30CHC0200720 | 72 | HTD 8M | 6WF | 8 | 20 | 183,35 | 192,0 | 28,0 | 38 | 80,0 | 15 | 3,10 | Steel |
| 30CHC0200800 | 80 | HTD 8M | 6W | 8 | 20 | 203,72 | - | 28,0 | 38 | 90,0 | 15 | 3,80 | Cast Iron |
| 30CHC0200900 | 90 | HTD 8M | 6A | 8 | 20 | 229,18 | - | 28,0 | 38 | 90,0 | 15 | 4,20 | Cast Iron |
| 30CHC0201120 | 112 | HTD 8M | 6A | 8 | 20 | 285,21 | - | 28,0 | 38 | 90,0 | 18 | 5,20 | Cast Iron |
| 30CHC0201440 | 144 | HTD 8M | 6A | 8 | 20 | 366,69 | - | 28,0 | 38 | 90,0 | 20 | 7,50 | Cast Iron |
| 30CHC0201680 | 168 | HTD 8M | 6A | 8 | 20 | 427,81 | - | 28,0 | 38 | 100,0 | 20 | 10,00 | Cast Iron |
| 30CHC0201920 | 192 | HTD 8M | 6A | 8 | 20 | 488,92 | - | 28,0 | 38 | 100,0 | 20 | 14,40 | Cast Iron |

Ook leverbaar in klantspecifieke uitvoering
 Also available with customized applications

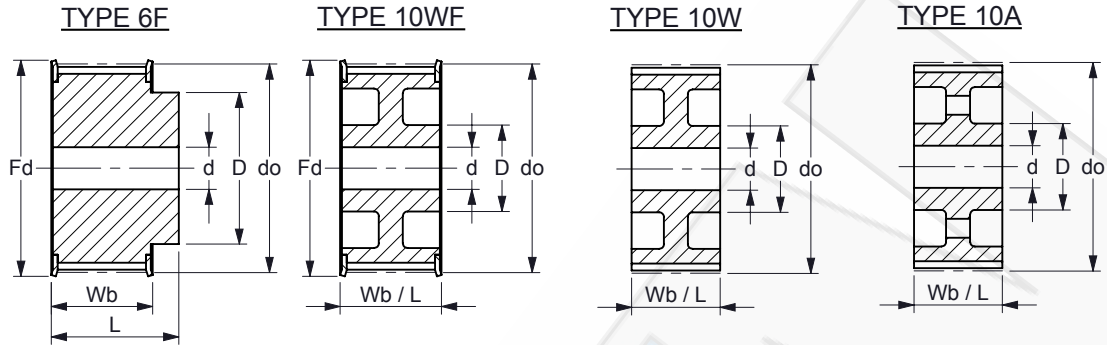
TANDRIEMPOELIES HTD 8M-30
TIMING BELT PULLEYS HTD 8M-30
ZAHNRIEMENSCHLEIBEN HTD 8M-30
POULIES DENTÉES HTD 8M-30



| K.T.N. Number | z | type | p | belt width | do | Fd | Wb | L | D | d | q ca. | Mat. |
|------------------|-----|------------|---|---------------|--------|-------|------|----|-------|----|----------|-----------|
| | | | | | | | | | | | | |
| 30CHC0300220 | 22 | HTD 8M 6F | 8 | 30 | 56,02 | 60,0 | 38,0 | 48 | 43,0 | 12 | 0,69 | Steel |
| 30CHC0300240 | 24 | HTD 8M 6F | 8 | 30 | 61,12 | 66,0 | 38,0 | 48 | 45,0 | 12 | 0,84 | Steel |
| 30CHC0300260 | 26 | HTD 8M 6F | 8 | 30 | 66,21 | 70,0 | 38,0 | 48 | 48,0 | 12 | 1,00 | Steel |
| 30CHC0300280 | 28 | HTD 8M 6F | 8 | 30 | 71,30 | 75,0 | 38,0 | 48 | 50,0 | 15 | 1,12 | Steel |
| 30CHC0300300 | 30 | HTD 8M 6F | 8 | 30 | 76,39 | 83,0 | 38,0 | 48 | 55,0 | 15 | 1,32 | Steel |
| 30CHC0300320 | 32 | HTD 8M 6F | 8 | 30 | 81,49 | 87,0 | 38,0 | 48 | 60,0 | 15 | 1,53 | Steel |
| 30CHC0300340 | 34 | HTD 8M 6F | 8 | 30 | 86,58 | 91,0 | 38,0 | 48 | 70,0 | 15 | 1,80 | Steel |
| 30CHC0300360 | 36 | HTD 8M 6F | 8 | 30 | 91,67 | 97,0 | 38,0 | 48 | 75,0 | 15 | 1,99 | Steel |
| 30CHC0300380 | 38 | HTD 8M 6F | 8 | 30 | 96,77 | 102,0 | 38,0 | 48 | 75,0 | 15 | 2,27 | Steel |
| 30CHC0300400 | 40 | HTD 8M 6F | 8 | 30 | 101,86 | 106,0 | 38,0 | 48 | 75,0 | 15 | 2,40 | Steel |
| 30CHC0300440 | 44 | HTD 8M 6F | 8 | 30 | 112,05 | 120,0 | 38,0 | 48 | 75,0 | 15 | 2,80 | Steel |
| 30CHC0300480 | 48 | HTD 8M 6F | 8 | 30 | 122,23 | 128,0 | 38,0 | 48 | 75,0 | 15 | 3,20 | Steel |
| 30CHC0300560 | 56 | HTD 8M 6WF | 8 | 30 | 142,60 | 150,0 | 38,0 | 48 | 90,0 | 15 | 3,60 | Steel |
| 30CHC0300640 | 64 | HTD 8M 6WF | 8 | 30 | 162,97 | 168,0 | 38,0 | 48 | 90,0 | 15 | 4,30 | Steel |
| 30CHC0300720 | 72 | HTD 8M 6WF | 8 | 30 | 183,35 | 192,0 | 38,0 | 48 | 95,0 | 15 | 4,80 | Steel |
| 30CHC0300800 | 80 | HTD 8M 6W | 8 | 30 | 203,72 | - | 38,0 | 48 | 100,0 | 15 | 5,10 | Cast Iron |
| 30CHC0300900 | 90 | HTD 8M 6A | 8 | 30 | 229,18 | - | 38,0 | 48 | 100,0 | 15 | 5,70 | Cast Iron |
| 30CHC0301120 | 112 | HTD 8M 6A | 8 | 30 | 285,21 | - | 38,0 | 48 | 100,0 | 18 | 6,80 | Cast Iron |
| 30CHC0301440 | 144 | HTD 8M 6A | 8 | 30 | 366,69 | - | 38,0 | 48 | 100,0 | 20 | 9,30 | Cast Iron |
| 30CHC0301680 | 168 | HTD 8M 6A | 8 | 30 | 427,81 | - | 38,0 | 48 | 100,0 | 20 | 11,40 | Cast Iron |
| 30CHC0301920 | 192 | HTD 8M 6A | 8 | 30 | 488,92 | - | 38,0 | 48 | 100,0 | 20 | 16,00 | Cast Iron |

Ook leverbaar in klantspecifieke uitvoering
 Also available with customized applications

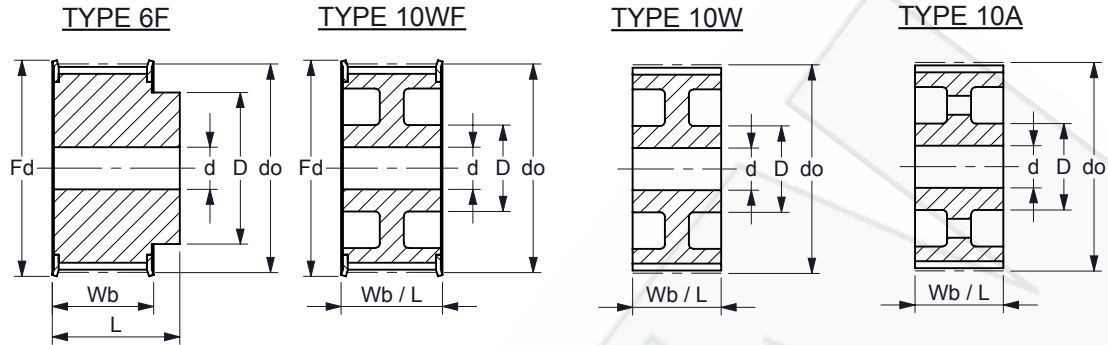
TANDRIEMPOELIES HTD 8M-50
TIMING BELT PULLEYS HTD 8M-50
ZAHNRIEMENSCHLEIBEN HTD 8M-50
POULIES DENTÉES HTD 8M-50



| K.T.N. Number | z | type | p | belt width | do | Fd | Wb | L | D | d | q ca. | Mat. | |
|------------------|-----|--------|------|---------------|----|--------|-------|------|----|-------|----------|-------|-----------|
| | | | | | | | | | | | | | [mm] |
| 30CHC0500220 | 22 | HTD 8M | 6F | 8 | 50 | 56,02 | 60,0 | 60,0 | 70 | 43,0 | 12 | 1,00 | Steel |
| 30CHC0500240 | 24 | HTD 8M | 6F | 8 | 50 | 61,12 | 66,0 | 60,0 | 70 | 45,0 | 12 | 1,23 | Steel |
| 30CHC0500260 | 26 | HTD 8M | 6F | 8 | 50 | 66,21 | 70,0 | 60,0 | 70 | 48,0 | 15 | 1,50 | Steel |
| 30CHC0500280 | 28 | HTD 8M | 6F | 8 | 50 | 71,30 | 75,0 | 60,0 | 70 | 50,0 | 15 | 1,67 | Steel |
| 30CHC0500300 | 30 | HTD 8M | 6F | 8 | 50 | 76,39 | 83,0 | 60,0 | 70 | 55,0 | 15 | 1,97 | Steel |
| 30CHC0500320 | 32 | HTD 8M | 6F | 8 | 50 | 81,49 | 87,0 | 60,0 | 70 | 60,0 | 15 | 2,27 | Steel |
| 30CHC0500340 | 34 | HTD 8M | 6F | 8 | 50 | 86,58 | 91,0 | 60,0 | 70 | 66,0 | 15 | 2,69 | Steel |
| 30CHC0500360 | 36 | HTD 8M | 6F | 8 | 50 | 91,67 | 97,0 | 60,0 | 70 | 70,0 | 15 | 2,97 | Steel |
| 30CHC0500380 | 38 | HTD 8M | 6F | 8 | 50 | 96,77 | 102,0 | 60,0 | 70 | 75,0 | 15 | 3,23 | Steel |
| 30CHC0500400 | 40 | HTD 8M | 6F | 8 | 50 | 101,86 | 106,0 | 60,0 | 70 | 75,0 | 18 | 3,50 | Steel |
| 30CHC0500440 | 44 | HTD 8M | 6F | 8 | 50 | 112,05 | 120,0 | 60,0 | 70 | 75,0 | 18 | 3,90 | Steel |
| 30CHC0500480 | 48 | HTD 8M | 6F | 8 | 50 | 122,23 | 128,0 | 60,0 | 70 | 80,0 | 18 | 4,30 | Steel |
| 30CHC0500560 | 56 | HTD 8M | 10WF | 8 | 50 | 142,60 | 150,0 | 60,0 | 60 | 90,0 | 18 | 5,00 | Steel |
| 30CHC0500640 | 64 | HTD 8M | 10WF | 8 | 50 | 162,97 | 168,0 | 60,0 | 60 | 100,0 | 18 | 5,60 | Steel |
| 30CHC0500720 | 72 | HTD 8M | 10WF | 8 | 50 | 183,35 | 192,0 | 60,0 | 60 | 100,0 | 18 | 6,80 | Steel |
| 30CHC0500800 | 80 | HTD 8M | 10W | 8 | 50 | 203,72 | - | 60,0 | 60 | 110,0 | 18 | 6,90 | Cast Iron |
| 30CHC0500900 | 90 | HTD 8M | 10A | 8 | 50 | 229,18 | - | 60,0 | 60 | 110,0 | 18 | 8,60 | Cast Iron |
| 30CHC0501120 | 112 | HTD 8M | 10A | 8 | 50 | 285,21 | - | 60,0 | 60 | 110,0 | 18 | 9,60 | Cast Iron |
| 30CHC0501440 | 144 | HTD 8M | 10A | 8 | 50 | 366,69 | - | 60,0 | 60 | 110,0 | 20 | 13,80 | Cast Iron |
| 30CHC0501680 | 168 | HTD 8M | 10A | 8 | 50 | 427,81 | - | 60,0 | 60 | 120,0 | 20 | 16,00 | Cast Iron |
| 30CHC0501920 | 192 | HTD 8M | 10A | 8 | 50 | 488,92 | - | 60,0 | 60 | 130,0 | 20 | 22,40 | Cast Iron |

Ook leverbaar in klantspecifieke uitvoering
 Also available with customized applications

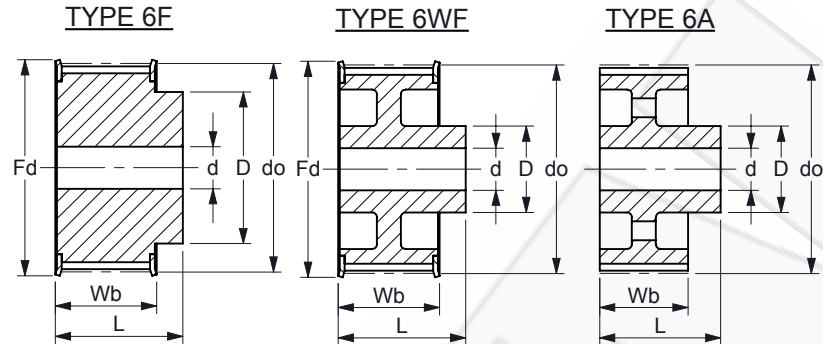
TANDRIEMPOELIES HTD 8M-85
TIMING BELT PULLEYS HTD 8M-85
ZAHNRIEMENSCHLEIBEN HTD 8M-85
POULIES DENTÉES HTD 8M-85



| K.T.N. Number | z | type | p | belt width | do | Fd | Wb | L | D | d | q ca. | Mat. | |
|---------------|-----|--------|------|------------|----|--------|-------|------|-----|-------|-------|-------|-----------|
| | | | | | | | | | | | | | [mm] |
| 30CHC0850220 | 22 | HTD 8M | 6F | 8 | 85 | 56,02 | 60,0 | 95,0 | 105 | 43,0 | 12 | 1,55 | Steel |
| 30CHC0850240 | 24 | HTD 8M | 6F | 8 | 85 | 61,12 | 66,0 | 95,0 | 105 | 45,0 | 12 | 1,90 | Steel |
| 30CHC0850260 | 26 | HTD 8M | 6F | 8 | 85 | 66,21 | 70,0 | 95,0 | 105 | 48,0 | 12 | 2,25 | Steel |
| 30CHC0850280 | 28 | HTD 8M | 6F | 8 | 85 | 71,30 | 75,0 | 95,0 | 105 | 50,0 | 15 | 2,55 | Steel |
| 30CHC0850300 | 30 | HTD 8M | 6F | 8 | 85 | 76,39 | 83,0 | 95,0 | 105 | 55,0 | 15 | 3,00 | Steel |
| 30CHC0850320 | 32 | HTD 8M | 6F | 8 | 85 | 81,49 | 87,0 | 95,0 | 105 | 60,0 | 15 | 3,57 | Steel |
| 30CHC0850340 | 34 | HTD 8M | 6F | 8 | 85 | 86,58 | 91,0 | 95,0 | 105 | 66,0 | 15 | 4,00 | Steel |
| 30CHC0850360 | 36 | HTD 8M | 6F | 8 | 85 | 91,67 | 97,0 | 95,0 | 105 | 70,0 | 15 | 4,50 | Steel |
| 30CHC0850380 | 38 | HTD 8M | 6F | 8 | 85 | 96,77 | 102,0 | 95,0 | 105 | 75,0 | 15 | 5,00 | Steel |
| 30CHC0850400 | 40 | HTD 8M | 6F | 8 | 85 | 101,86 | 106,0 | 95,0 | 105 | 75,0 | 18 | 5,20 | Steel |
| 30CHC0850440 | 44 | HTD 8M | 6F | 8 | 85 | 112,05 | 120,0 | 95,0 | 105 | 75,0 | 18 | 6,60 | Steel |
| 30CHC0850480 | 48 | HTD 8M | 6F | 8 | 85 | 122,23 | 128,0 | 95,0 | 105 | 80,0 | 18 | 7,00 | Steel |
| 30CHC0850560 | 56 | HTD 8M | 6F | 8 | 85 | 142,60 | 150,0 | 95,0 | 105 | 90,0 | 18 | 10,00 | Steel |
| 30CHC0850640 | 64 | HTD 8M | 10WF | 8 | 85 | 162,97 | 168,0 | 95,0 | 95 | 100,0 | 20 | 10,40 | Steel |
| 30CHC0850720 | 72 | HTD 8M | 10WF | 8 | 85 | 183,35 | 192,0 | 95,0 | 95 | 100,0 | 20 | 11,40 | Cast Iron |
| 30CHC0850800 | 80 | HTD 8M | 10W | 8 | 85 | 203,72 | - | 95,0 | 95 | 110,0 | 20 | 11,10 | Cast Iron |
| 30CHC0850900 | 90 | HTD 8M | 10A | 8 | 85 | 229,18 | - | 95,0 | 95 | 110,0 | 20 | 12,20 | Cast Iron |
| 30CHC0851120 | 112 | HTD 8M | 10A | 8 | 85 | 285,21 | - | 95,0 | 95 | 110,0 | 24 | 15,00 | Cast Iron |
| 30CHC0851440 | 144 | HTD 8M | 10A | 8 | 85 | 366,69 | - | 95,0 | 95 | 110,0 | 24 | 21,50 | Cast Iron |
| 30CHC0851680 | 168 | HTD 8M | 10A | 8 | 85 | 427,81 | - | 95,0 | 95 | 120,0 | 24 | 24,10 | Cast Iron |
| 30CHC0851920 | 192 | HTD 8M | 10A | 8 | 85 | 488,92 | - | 95,0 | 95 | 130,0 | 24 | 30,60 | Cast Iron |

Ook leverbaar in klantspecifieke uitvoering
 Also available with customized applications

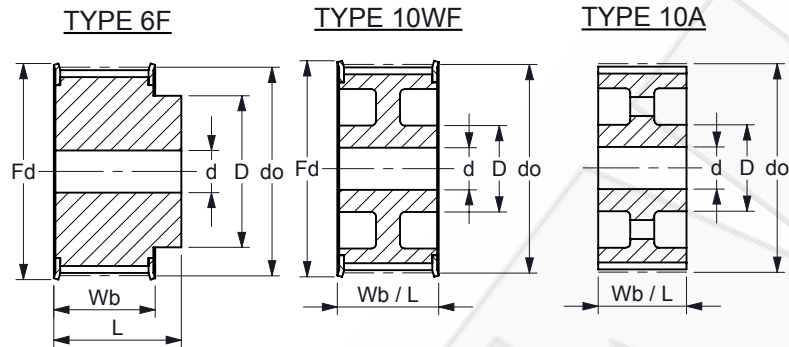
TANDRIEMPOELIES HTD 14M-40
TIMING BELT PULLEYS HTD 14M-40
ZAHNRIEMENSCHLEIBEN HTD 14M-40
POULIES DENTÉES HTD 14M-40



| K.T.N. Number | z | type | p | belt width | do | Fd | Wb | L | D | d | q ca. | Mat. |
|---------------|-----|-------------|----|------------|--------|-------|------|----|-------|----|-------|-----------|
| | | | | | | | | | | | | |
| 30CHD0400280 | 28 | HTD 14M 6F | 14 | 40 | 124,78 | 128,0 | 54,0 | 69 | 100,0 | 24 | 4,73 | Steel |
| 30CHD0400290 | 29 | HTD 14M 6F | 14 | 40 | 129,23 | 138,0 | 54,0 | 69 | 100,0 | 24 | 5,09 | Steel |
| 30CHD0400300 | 30 | HTD 14M 6F | 14 | 40 | 133,69 | 138,0 | 54,0 | 69 | 100,0 | 24 | 5,45 | Steel |
| 30CHD0400320 | 32 | HTD 14M 6F | 14 | 40 | 142,60 | 154,0 | 54,0 | 69 | 100,0 | 24 | 6,17 | Steel |
| 30CHD0400340 | 34 | HTD 14M 6F | 14 | 40 | 151,52 | 160,0 | 54,0 | 69 | 100,0 | 24 | 6,88 | Steel |
| 30CHD0400360 | 36 | HTD 14M 6F | 14 | 40 | 160,43 | 168,0 | 54,0 | 69 | 100,0 | 24 | 7,60 | Steel |
| 30CHD0400380 | 38 | HTD 14M 6F | 14 | 40 | 169,34 | 184,0 | 54,0 | 69 | 120,0 | 24 | 8,28 | Steel |
| 30CHD0400400 | 40 | HTD 14M 6F | 14 | 40 | 178,25 | 188,0 | 54,0 | 69 | 120,0 | 24 | 9,26 | Steel |
| 30CHD0400440 | 44 | HTD 14M 6F | 14 | 40 | 196,08 | 212,0 | 54,0 | 69 | 120,0 | 24 | 10,32 | Steel |
| 30CHD0400480 | 48 | HTD 14M 6WF | 14 | 40 | 213,90 | 226,0 | 54,0 | 69 | 135,0 | 24 | 11,50 | Steel |
| 30CHD0400560 | 56 | HTD 14M 6WF | 14 | 40 | 249,55 | 256,0 | 54,0 | 69 | 135,0 | 28 | 13,05 | Steel |
| 30CHD0400640 | 64 | HTD 14M 6WF | 14 | 40 | 285,21 | 296,0 | 54,0 | 69 | 135,0 | 28 | 14,40 | Steel |
| 30CHD0400720 | 72 | HTD 14M 6A | 14 | 40 | 320,86 | - | 54,0 | 69 | 135,0 | 28 | 16,90 | Cast Iron |
| 30CHD0400800 | 80 | HTD 14M 6A | 14 | 40 | 356,51 | - | 54,0 | 69 | 135,0 | 28 | 18,50 | Cast Iron |
| 30CHD0400900 | 90 | HTD 14M 6A | 14 | 40 | 401,07 | - | 54,0 | 69 | 135,0 | 28 | 20,00 | Cast Iron |
| 30CHD0401120 | 112 | HTD 14M 6A | 14 | 40 | 499,11 | - | 54,0 | 69 | 135,0 | 28 | 26,70 | Cast Iron |
| 30CHD0401440 | 144 | HTD 14M 6A | 14 | 40 | 641,71 | - | 54,0 | 69 | 135,0 | 28 | 35,00 | Cast Iron |
| 30CHD0401680 | 168 | HTD 14M 6A | 14 | 40 | 748,66 | - | 54,0 | 69 | 135,0 | 28 | 44,20 | Cast Iron |
| 30CHD0401920 | 192 | HTD 14M 6A | 14 | 40 | 855,62 | - | 54,0 | 69 | 135,0 | 28 | 52,20 | Cast Iron |
| 30CHD0402160 | 216 | HTD 14M 6A | 14 | 40 | 962,57 | - | 54,0 | 69 | 150,0 | 28 | 62,50 | Cast Iron |

Ook leverbaar in klantspecifieke uitvoering
 Also available with customized applications

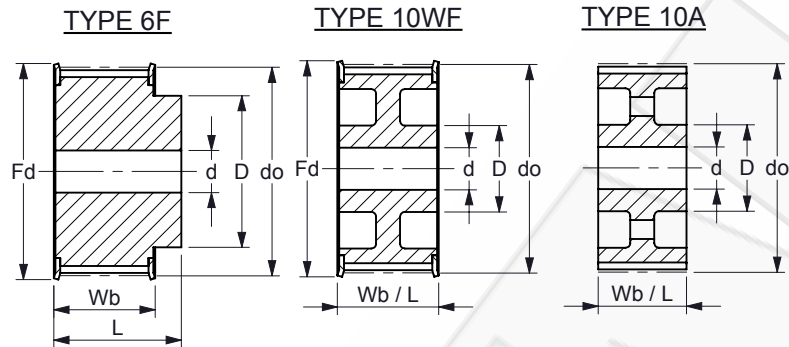
TANDRIEMPOELIES HTD 14M-55
TIMING BELT PULLEYS HTD 14M-55
ZAHNRIEMENSCHLEIBEN HTD 14M-55
POULIES DENTÉES HTD 14M-55



| K.T.N. Number | z | type | p | belt width | do | Fd | Wb | L | D | d | q ca. | Mat. |
|---------------|-----|--------------|----|------------|--------|-------|------|----|-------|----|-------|-----------|
| | | | | | | | | | | | | |
| 30CHD0550280 | 28 | HTD 14M 6F | 14 | 55 | 124,78 | 128,0 | 70,0 | 85 | 100,0 | 24 | 5,60 | Steel |
| 30CHD0550290 | 29 | HTD 14M 6F | 14 | 55 | 129,23 | 138,0 | 70,0 | 85 | 100,0 | 24 | 6,10 | Steel |
| 30CHD0550300 | 30 | HTD 14M 6F | 14 | 55 | 133,69 | 138,0 | 70,0 | 85 | 100,0 | 24 | 6,60 | Steel |
| 30CHD0550320 | 32 | HTD 14M 6F | 14 | 55 | 142,60 | 154,0 | 70,0 | 85 | 100,0 | 24 | 7,60 | Steel |
| 30CHD0550340 | 34 | HTD 14M 6F | 14 | 55 | 151,52 | 160,0 | 70,0 | 85 | 100,0 | 24 | 8,60 | Steel |
| 30CHD0550360 | 36 | HTD 14M 6F | 14 | 55 | 160,43 | 168,0 | 70,0 | 85 | 100,0 | 24 | 9,60 | Steel |
| 30CHD0550380 | 38 | HTD 14M 6F | 14 | 55 | 169,34 | 184,0 | 70,0 | 85 | 120,0 | 24 | 10,80 | Steel |
| 30CHD0550400 | 40 | HTD 14M 6F | 14 | 55 | 178,25 | 188,0 | 70,0 | 85 | 120,0 | 24 | 11,20 | Steel |
| 30CHD0550440 | 44 | HTD 14M 6F | 14 | 55 | 196,08 | 212,0 | 70,0 | 85 | 120,0 | 24 | 12,50 | Steel |
| 30CHD0550480 | 48 | HTD 14M 10WF | 14 | 55 | 213,90 | 226,0 | 70,0 | 70 | 135,0 | 24 | 13,70 | Cast Iron |
| 30CHD0550560 | 56 | HTD 14M 10WF | 14 | 55 | 249,55 | 256,0 | 70,0 | 70 | 135,0 | 28 | 14,50 | Cast Iron |
| 30CHD0550640 | 64 | HTD 14M 10WF | 14 | 55 | 285,21 | 296,0 | 70,0 | 70 | 135,0 | 28 | 15,60 | Cast Iron |
| 30CHD0550720 | 72 | HTD 14M 10A | 14 | 55 | 320,86 | - | 70,0 | 70 | 135,0 | 28 | 16,90 | Cast Iron |
| 30CHD0550800 | 80 | HTD 14M 10A | 14 | 55 | 356,51 | - | 70,0 | 70 | 135,0 | 28 | 20,00 | Cast Iron |
| 30CHD0550900 | 90 | HTD 14M 10A | 14 | 55 | 401,07 | - | 70,0 | 70 | 135,0 | 28 | 22,60 | Cast Iron |
| 30CHD0551120 | 112 | HTD 14M 10A | 14 | 55 | 499,11 | - | 70,0 | 70 | 135,0 | 28 | 29,50 | Cast Iron |
| 30CHD0551440 | 144 | HTD 14M 10A | 14 | 55 | 641,71 | - | 70,0 | 70 | 135,0 | 28 | 39,00 | Cast Iron |
| 30CHD0551680 | 168 | HTD 14M 10A | 14 | 55 | 748,66 | - | 70,0 | 70 | 135,0 | 28 | 48,50 | Cast Iron |
| 30CHD0551920 | 192 | HTD 14M 10A | 14 | 55 | 855,62 | - | 70,0 | 70 | 135,0 | 28 | 57,80 | Cast Iron |
| 30CHD0552160 | 216 | HTD 14M 10A | 14 | 55 | 962,57 | - | 70,0 | 70 | 150,0 | 28 | 67,00 | Cast Iron |

Ook leverbaar in klantspecifieke uitvoering
 Also available with customized applications

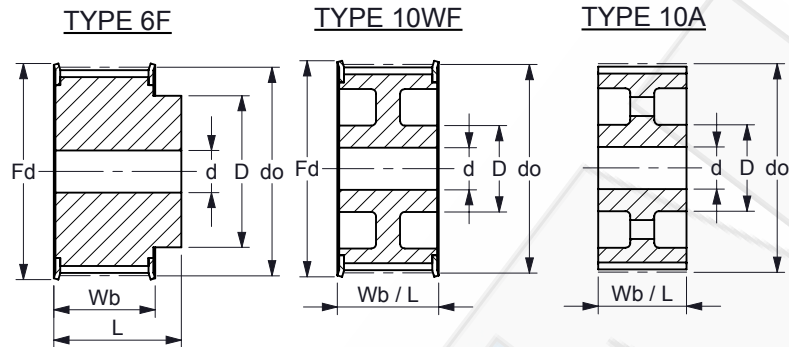
TANDRIEMPOELIES HTD 14M-85
TIMING BELT PULLEYS HTD 14M-85
ZAHNRIEMENSCHLEIBEN HTD 14M-85
POULIES DENTÉES HTD 14M-85



| K.T.N. Number | z | type | p | belt width | do | Fd | Wb | L | D | d | q ca. | Mat. |
|------------------|-----|--------------|----|---------------|--------|-------|-------|-----|-------|----|----------|-----------|
| | | | | | | | | | | | | |
| 30CHD0850280 | 28 | HTD 14M 6F | 14 | 85 | 124,78 | 128,0 | 102,0 | 117 | 100,0 | 24 | 7,70 | Steel |
| 30CHD0850290 | 29 | HTD 14M 6F | 14 | 85 | 129,23 | 138,0 | 102,0 | 117 | 100,0 | 24 | 8,40 | Steel |
| 30CHD0850300 | 30 | HTD 14M 6F | 14 | 85 | 133,69 | 138,0 | 102,0 | 117 | 100,0 | 24 | 9,10 | Steel |
| 30CHD0850320 | 32 | HTD 14M 6F | 14 | 85 | 142,60 | 154,0 | 102,0 | 117 | 100,0 | 24 | 10,50 | Steel |
| 30CHD0850340 | 34 | HTD 14M 6F | 14 | 85 | 151,52 | 160,0 | 102,0 | 117 | 100,0 | 24 | 11,90 | Steel |
| 30CHD0850360 | 36 | HTD 14M 6F | 14 | 85 | 160,43 | 168,0 | 102,0 | 117 | 100,0 | 32 | 13,20 | Steel |
| 30CHD0850380 | 38 | HTD 14M 6F | 14 | 85 | 169,34 | 184,0 | 102,0 | 117 | 120,0 | 32 | 15,15 | Steel |
| 30CHD0850400 | 40 | HTD 14M 6F | 14 | 85 | 178,25 | 188,0 | 102,0 | 117 | 135,0 | 32 | 17,10 | Steel |
| 30CHD0850440 | 44 | HTD 14M 6F | 14 | 85 | 196,08 | 212,0 | 102,0 | 117 | 135,0 | 32 | 23,30 | Steel |
| 30CHD0850480 | 48 | HTD 14M 6F | 14 | 85 | 213,90 | 226,0 | 102,0 | 117 | 150,0 | 32 | 25,00 | Steel |
| 30CHD0850560 | 56 | HTD 14M 10WF | 14 | 85 | 249,55 | 256,0 | 102,0 | 117 | 150,0 | 32 | 25,00 | Cast Iron |
| 30CHD0850640 | 64 | HTD 14M 10WF | 14 | 85 | 285,21 | 296,0 | 102,0 | 102 | 150,0 | 32 | 30,50 | Cast Iron |
| 30CHD0850720 | 72 | HTD 14M 10A | 14 | 85 | 320,86 | - | 102,0 | 102 | 150,0 | 32 | 28,80 | Cast Iron |
| 30CHD0850800 | 80 | HTD 14M 10A | 14 | 85 | 356,51 | - | 102,0 | 102 | 150,0 | 32 | 30,10 | Cast Iron |
| 30CHD0850900 | 90 | HTD 14M 10A | 14 | 85 | 401,07 | - | 102,0 | 102 | 150,0 | 32 | 33,00 | Cast Iron |
| 30CHD0851120 | 112 | HTD 14M 10A | 14 | 85 | 499,11 | - | 102,0 | 102 | 150,0 | 32 | 41,80 | Cast Iron |
| 30CHD0851440 | 144 | HTD 14M 10A | 14 | 85 | 641,71 | - | 102,0 | 102 | 150,0 | 32 | 52,40 | Cast Iron |
| 30CHD0851680 | 168 | HTD 14M 10A | 14 | 85 | 748,66 | - | 102,0 | 102 | 150,0 | 32 | 60,30 | Cast Iron |
| 30CHD0851920 | 192 | HTD 14M 10A | 14 | 85 | 855,62 | - | 102,0 | 102 | 165,0 | 32 | 70,20 | Cast Iron |
| 30CHD0852160 | 216 | HTD 14M 10A | 14 | 85 | 962,57 | - | 102,0 | 102 | 165,0 | 32 | 81,00 | Cast Iron |

Ook leverbaar in klantspecifieke uitvoering
 Also available with customized applications

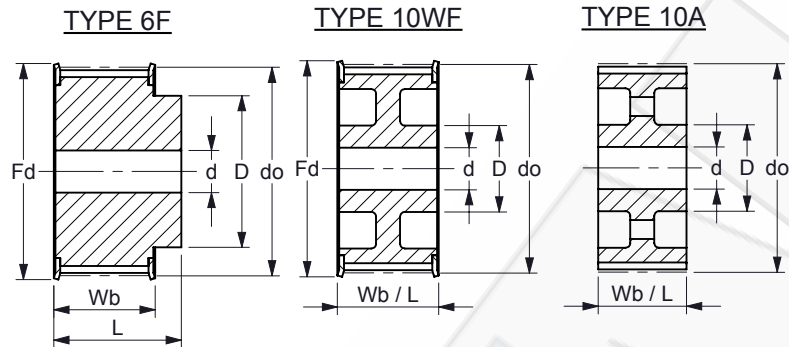
TANDRIEMPOELIES HTD 14M-115
TIMING BELT PULLEYS HTD 14M-115
ZAHNRIEMENSCHLEIBEN HTD 14M-115
POULIES DENTÉES HTD 14M-115



| K.T.N. Number | z | type | p | belt width | do | Fd | Wb | L | D | d | q ca. | Mat. |
|------------------|-----|--------------|----|---------------|--------|-------|-------|-----|-------|----|----------|-----------|
| | | | | | | | | | | | | |
| 30CHD1150280 | 28 | HTD 14M 6F | 14 | 115 | 124,78 | 128,0 | 133,0 | 148 | 100,0 | 32 | 9,20 | Steel |
| 30CHD1150290 | 29 | HTD 14M 6F | 14 | 115 | 129,23 | 138,0 | 133,0 | 148 | 100,0 | 32 | 10,20 | Steel |
| 30CHD1150300 | 30 | HTD 14M 6F | 14 | 115 | 133,69 | 138,0 | 133,0 | 148 | 100,0 | 32 | 11,20 | Steel |
| 30CHD1150320 | 32 | HTD 14M 6F | 14 | 115 | 142,60 | 154,0 | 133,0 | 148 | 100,0 | 32 | 13,20 | Steel |
| 30CHD1150340 | 34 | HTD 14M 6F | 14 | 115 | 151,52 | 160,0 | 133,0 | 148 | 100,0 | 32 | 14,80 | Steel |
| 30CHD1150360 | 36 | HTD 14M 6F | 14 | 115 | 160,43 | 168,0 | 133,0 | 148 | 100,0 | 32 | 16,60 | Steel |
| 30CHD1150380 | 38 | HTD 14M 6F | 14 | 115 | 169,34 | 184,0 | 133,0 | 148 | 120,0 | 32 | 19,20 | Steel |
| 30CHD1150400 | 40 | HTD 14M 6F | 14 | 115 | 178,25 | 188,0 | 133,0 | 148 | 135,0 | 32 | 20,56 | Steel |
| 30CHD1150440 | 44 | HTD 14M 6F | 14 | 115 | 196,08 | 212,0 | 133,0 | 148 | 140,0 | 32 | 21,93 | Steel |
| 30CHD1150480 | 48 | HTD 14M 6F | 14 | 115 | 213,90 | 226,0 | 133,0 | 148 | 150,0 | 32 | 25,00 | Steel |
| 30CHD1150560 | 56 | HTD 14M 6F | 14 | 115 | 249,55 | 256,0 | 133,0 | 148 | 150,0 | 32 | 27,50 | Steel |
| 30CHD1150640 | 64 | HTD 14M 10WF | 14 | 115 | 285,21 | 296,0 | 133,0 | 133 | 150,0 | 32 | 30,10 | Cast Iron |
| 30CHD1150720 | 72 | HTD 14M 10A | 14 | 115 | 320,86 | - | 133,0 | 133 | 150,0 | 32 | 32,83 | Cast Iron |
| 30CHD1150800 | 80 | HTD 14M 10A | 14 | 115 | 356,51 | - | 133,0 | 133 | 150,0 | 32 | 35,55 | Cast Iron |
| 30CHD1150900 | 90 | HTD 14M 10A | 14 | 115 | 401,07 | - | 133,0 | 133 | 150,0 | 32 | 41,00 | Cast Iron |
| 30CHD1151120 | 112 | HTD 14M 10A | 14 | 115 | 499,11 | - | 133,0 | 133 | 150,0 | 32 | 54,40 | Cast Iron |
| 30CHD1151440 | 144 | HTD 14M 10A | 14 | 115 | 641,71 | - | 133,0 | 133 | 165,0 | 32 | 67,80 | Cast Iron |
| 30CHD1151680 | 168 | HTD 14M 10A | 14 | 115 | 748,66 | - | 133,0 | 133 | 165,0 | 32 | 75,80 | Cast Iron |
| 30CHD1151920 | 192 | HTD 14M 10A | 14 | 115 | 855,62 | - | 133,0 | 133 | 165,0 | 32 | 88,30 | Cast Iron |
| 30CHD1152160 | 216 | HTD 14M 10A | 14 | 115 | 962,57 | - | 133,0 | 133 | 165,0 | 32 | 98,00 | Cast Iron |

Ook leverbaar in klantspecifieke uitvoering
 Also available with customized applications

TANDRIEMPOELIES HTD 14M-170
TIMING BELT PULLEYS HTD 14M-170
ZAHNRIEMENSCHLEIBEN HTD 14M-170
POULIES DENTÉES HTD 14M-170



| K.T.N. Number | z | type | p | belt width | do | Fd | Wb | L | D | d | q ca. | Mat. |
|---------------|-----|--------------|----|------------|--------|-------|-------|-----|-------|----|-------|-----------|
| | | | | | | | | | | | | |
| 30CHD1700280 | 28 | HTD 14M 6F | 14 | 170 | 124,78 | 128,0 | 187,0 | 202 | 100,0 | 32 | 9,20 | Steel |
| 30CHD1700290 | 29 | HTD 14M 6F | 14 | 170 | 129,23 | 138,0 | 187,0 | 202 | 100,0 | 32 | 10,20 | Steel |
| 30CHD1700300 | 30 | HTD 14M 6F | 14 | 170 | 133,69 | 138,0 | 187,0 | 202 | 100,0 | 32 | 11,20 | Steel |
| 30CHD1700320 | 32 | HTD 14M 6F | 14 | 170 | 142,60 | 154,0 | 187,0 | 202 | 100,0 | 32 | 13,20 | Steel |
| 30CHD1700340 | 34 | HTD 14M 6F | 14 | 170 | 151,52 | 160,0 | 187,0 | 202 | 100,0 | 32 | 14,80 | Steel |
| 30CHD1700360 | 36 | HTD 14M 6F | 14 | 170 | 160,43 | 168,0 | 187,0 | 202 | 100,0 | 32 | 16,60 | Steel |
| 30CHD1700380 | 38 | HTD 14M 6F | 14 | 170 | 169,34 | 184,0 | 187,0 | 202 | 120,0 | 32 | 19,20 | Steel |
| 30CHD1700400 | 40 | HTD 14M 6F | 14 | 170 | 178,25 | 188,0 | 187,0 | 202 | 135,0 | 32 | 20,56 | Steel |
| 30CHD1700440 | 44 | HTD 14M 6F | 14 | 170 | 196,08 | 212,0 | 187,0 | 202 | 140,0 | 32 | 21,93 | Steel |
| 30CHD1700480 | 48 | HTD 14M 6F | 14 | 170 | 213,90 | 226,0 | 187,0 | 202 | 150,0 | 32 | 25,00 | Steel |
| 30CHD1700560 | 56 | HTD 14M 6F | 14 | 170 | 249,55 | 256,0 | 187,0 | 202 | 150,0 | 32 | 27,50 | Steel |
| 30CHD1700640 | 64 | HTD 14M 10WF | 14 | 170 | 285,21 | 296,0 | 187,0 | 202 | 150,0 | 32 | 30,10 | Steel |
| 30CHD1700720 | 72 | HTD 14M 10A | 14 | 170 | 320,86 | - | 187,0 | 187 | 150,0 | 32 | 32,83 | Cast Iron |
| 30CHD1700800 | 80 | HTD 14M 10A | 14 | 170 | 356,51 | - | 187,0 | 187 | 150,0 | 32 | 35,55 | Cast Iron |
| 30CHD1700900 | 90 | HTD 14M 10A | 14 | 170 | 401,07 | - | 187,0 | 187 | 150,0 | 32 | 41,00 | Cast Iron |
| 30CHD1701120 | 112 | HTD 14M 10A | 14 | 170 | 499,11 | - | 187,0 | 187 | 150,0 | 32 | 54,40 | Cast Iron |
| 30CHD1701440 | 144 | HTD 14M 10A | 14 | 170 | 641,71 | - | 187,0 | 187 | 165,0 | 32 | 67,80 | Cast Iron |
| 30CHD1701680 | 168 | HTD 14M 10A | 14 | 170 | 748,66 | - | 187,0 | 187 | 165,0 | 32 | 75,80 | Cast Iron |
| 30CHD1701920 | 192 | HTD 14M 10A | 14 | 170 | 855,62 | - | 187,0 | 187 | 165,0 | 32 | 88,30 | Cast Iron |
| 30CHD1702160 | 216 | HTD 14M 10A | 14 | 170 | 962,57 | - | 187,0 | 187 | 165,0 | 32 | 98,00 | Cast Iron |

Ook leverbaar in klantspecifieke uitvoering
 Also available with customized applications