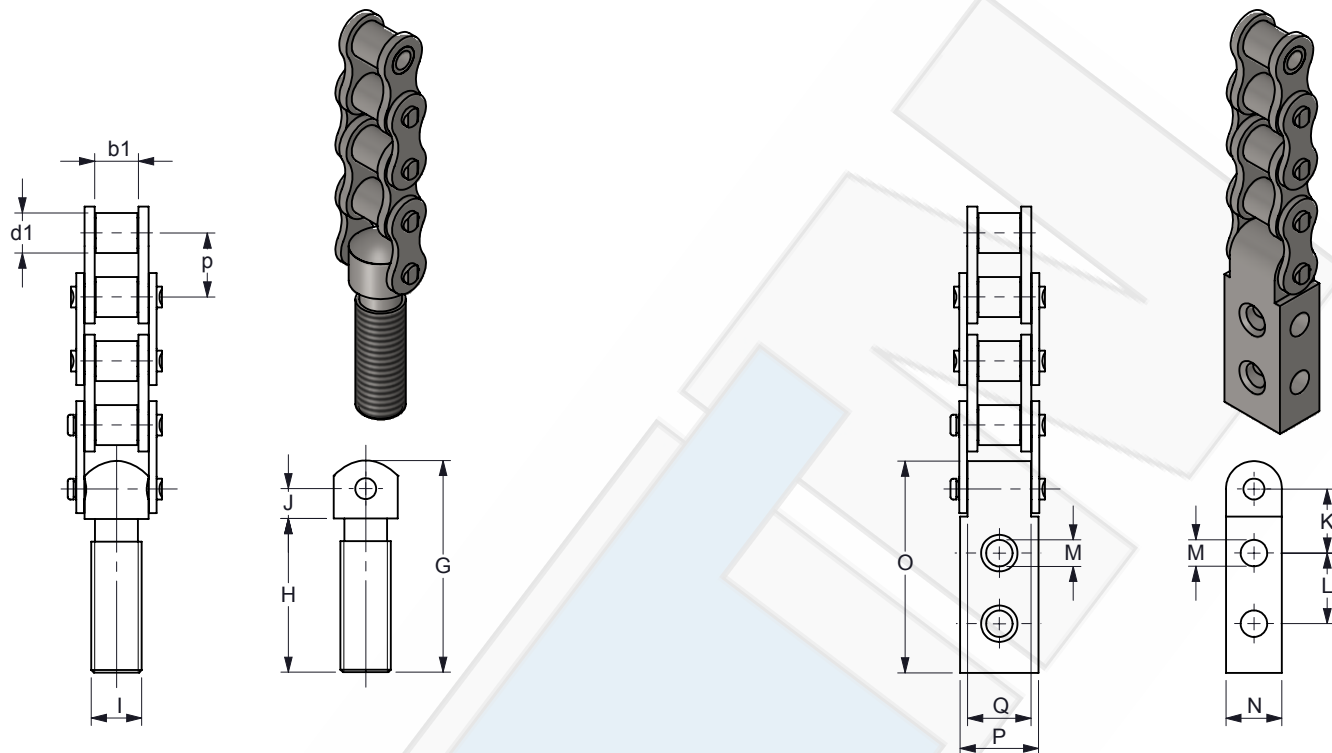


ROLLENKETINGEN TOEBEHOREN
ROLLERCHAIN ATTACHMENTS
ROLLENKETTEN ZUBEHÖR
CHAÎNES À ROULEAUX PIÈCES JOINTES



Voor Europese norm vlg. DIN 8187 / ISO 606
 For European standard acc. to DIN 8187 / ISO 606



Ankerbout - Anchor stud

Ankerblok - Anchor block

K.T.N. Number Anchor stud	p		b1 min. [mm]	d1 max. [mm]	G max. [mm]	H max. [mm]	I metric. [mm]	J max. [mm]
	[inch]	[mm]						
06B-1	3/8	9,525	5,72	6,35	27	16,40	M8 x 1,25	5,72
08B-1	1/2	12,70	7,75	8,51	32	20,00	M10 x 1,50	6,86
10B-1	5/8	15,875	9,65	10,16	41	26,00	M12 x 1,75	7,82
12B-1	3/4	19,05	11,68	12,07	44	26,00	M16 x 2,00	9,14
16B-1	1	25,40	17,02	15,88	62	39,00	M20 x 3,00	11,81

K.T.N. Number Anchor block	p		b1 min. [mm]	d1 max. [mm]	K [mm]	L [mm]	M min. [mm]	N [mm]	O max. [mm]	P [mm]	Q max. [mm]
	[inch]	[mm]									
08B-1	1/2	12,70	7,75	8,51	12,70	12,70	5,30	12,70	40	15,90	11,20
10B-1	5/8	15,875	9,65	10,16	15,90	20,30	8,40	15,90	55	22,30	13,10
12B-1	3/4	19,05	11,68	12,07	15,90	20,30	8,40	17,50	58	22,30	15,50
16B-1	1	25,40	17,02	15,88	25,40	28,00	10,50	22,20	84	31,80	25,20

Ook leverbaar in klantspecifieke uitvoering
 Also available with customized applications