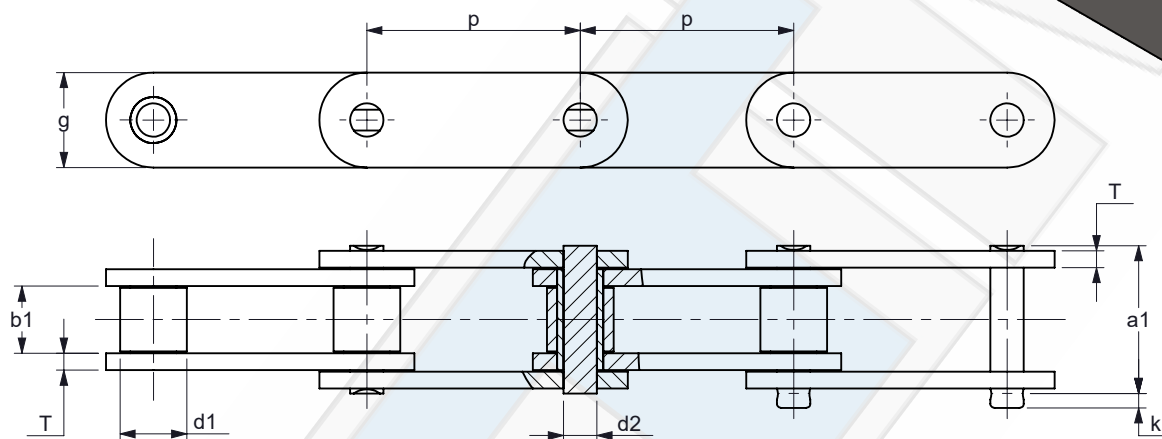
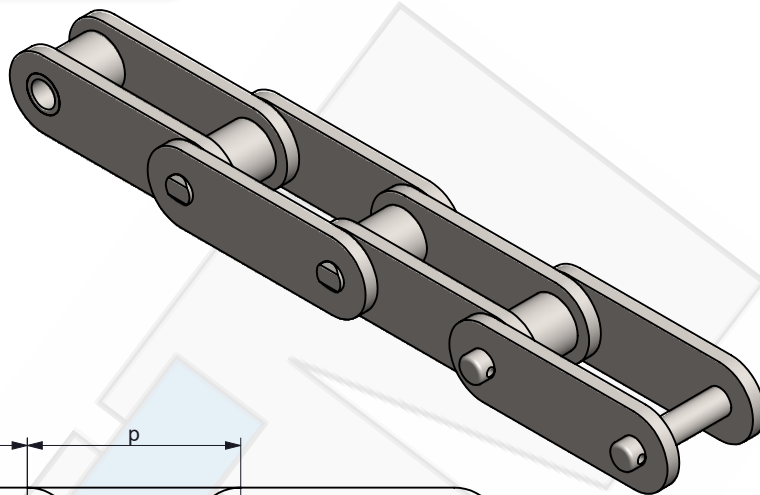


**ROLLENKETINGEN LANGESTEEK**  
**ROLLER CHAINS EXTENDED PITCH**  
**LANGLIEDRIGEN ROLLENKETTEN**  
**CHAÎNES À ROULEAUX PAS LONG**

Amerikaanse norm  
 American standard



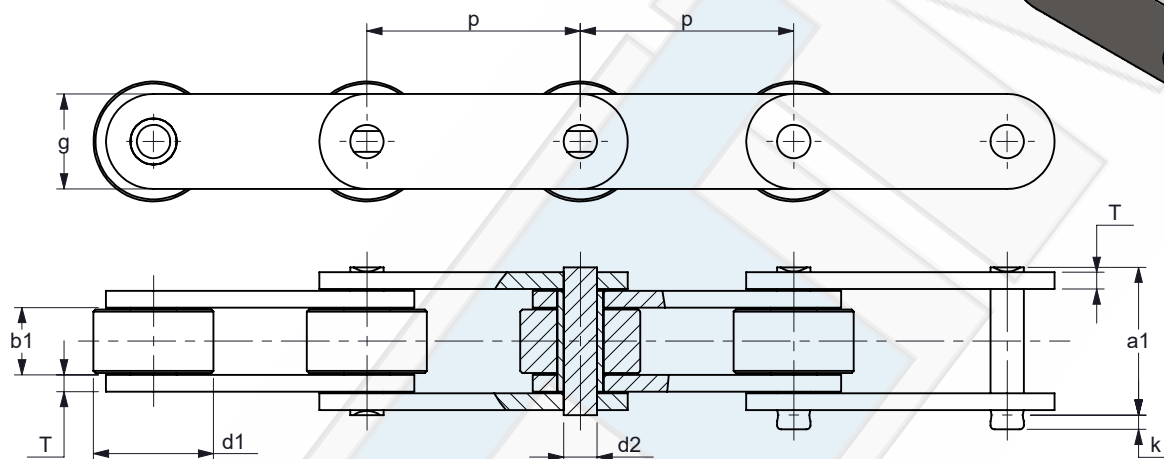
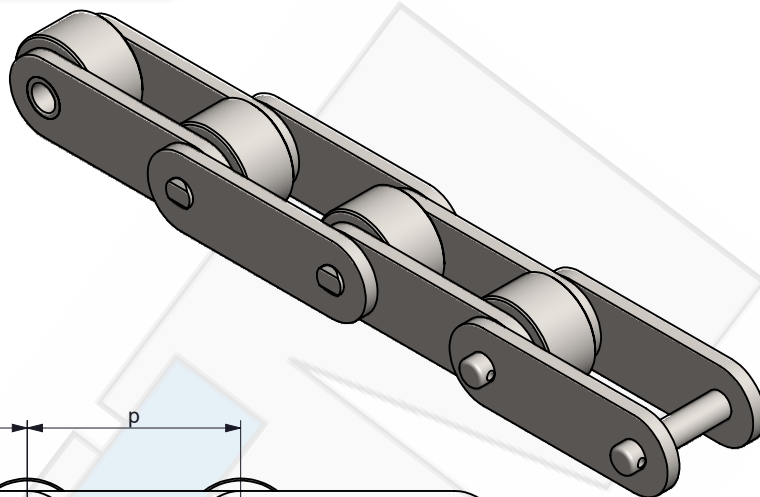
K.T.N. Number	p		b1 min. [mm]	d1 max. [mm]	T max. [mm]	d2 max. [mm]	a1 max. [mm]	k max. [mm]	g max. [mm]	f [cm <sup>2</sup> ]	Fb min. [kN]	q ca. [kg/m]
	[inch]	[mm]										
C2040	1	25,40	7,85	7,95	1,50	3,97	16,05	1,50	11,70	0,44	17,20	0,48
C2050	1 1/4	31,75	9,53	10,16	2,00	5,09	20,30	1,45	14,60	0,69	27,90	0,79
C2060H	1 1/2	38,10	12,70	11,91	3,20	5,96	28,50	1,50	17,50	1,14	39,50	1,43
C2080H	2	50,80	15,88	15,88	4,00	7,94	37,00	3,10	24,00	1,90	68,60	2,37
C2100H	2 1/2	63,50	19,05	19,05	4,80	9,54	43,45	2,95	28,90	2,74	106,90	3,53
C2120H	3	76,20	25,40	22,23	5,60	11,11	53,70	3,40	35,00	4,07	149,10	4,75

Meenemers op aanvraag  
 Attachments on request

Optioneel diverse coatings  
 Additional several coatings

**ROLLENKETINGEN LANGESTEEK**  
**ROLLER CHAINS EXTENDED PITCH**  
**LANGLIEDRIGEN ROLLENKETTEN**  
**CHAÎNES À ROULEAUX PAS LONG**

Amerikaanse norm met looprol  
 American standard with large rollers



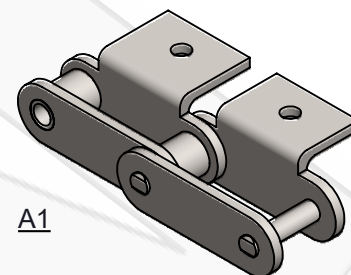
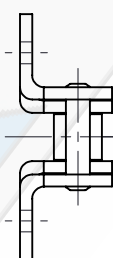
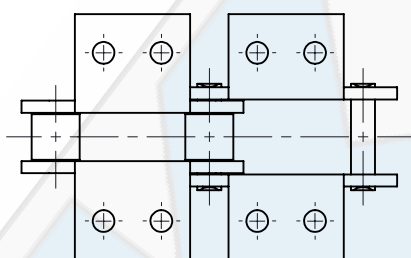
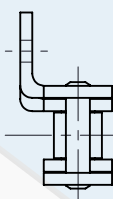
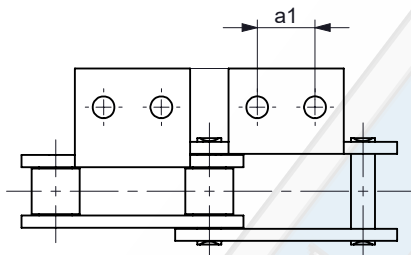
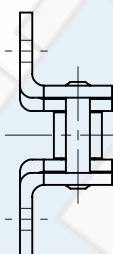
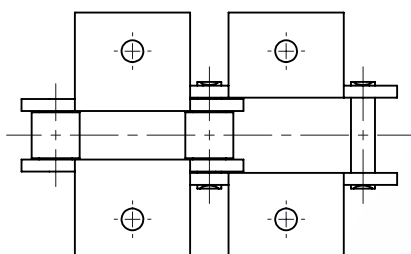
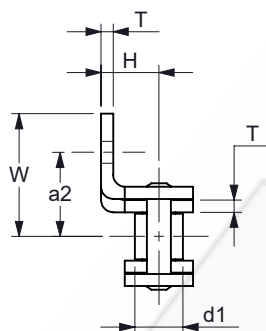
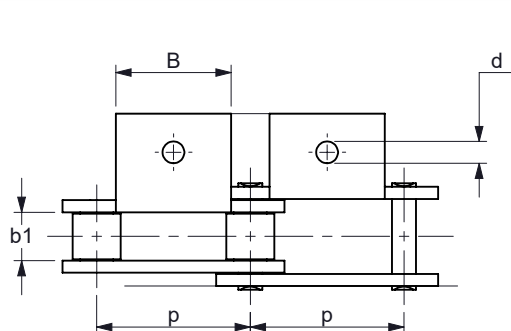
K.T.N. Number	p		b1 min. [mm]	d1 max. [mm]	T max. [mm]	d2 max. [mm]	a1 max. [mm]	k max. [mm]	g max. [mm]	f [cm <sup>2</sup> ]	Fb min. [kN]	q ca. [kg/m]
	[inch]	[mm]										
C2042	1	25,40	7,85	15,88	1,50	3,97	16,05	1,50	11,70	0,44	17,20	0,82
C2052	1 1/4	31,75	9,53	19,05	2,00	5,09	20,30	1,45	14,60	0,69	27,90	1,25
C2062H	1 1/2	38,10	12,70	22,23	3,20	5,96	28,50	1,50	17,50	1,14	39,50	2,11
C2082H	2	50,80	15,88	28,58	4,00	7,94	37,00	3,10	24,00	1,90	68,50	3,41
C2102H	2 1/2	63,50	19,05	39,68	4,80	9,54	43,45	2,95	28,90	2,74	106,90	5,68
C2122H	3	76,20	25,40	44,45	5,60	11,11	53,70	3,40	35,00	4,07	149,10	7,40

Meenemers op aanvraag  
 Attachments on request

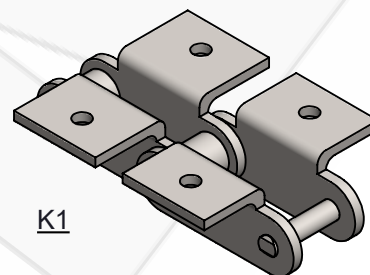
Optioneel diverse coatings  
 Additional several coatings

**MEENEMERS HAAKSOMGEZET**  
**ATTACHMENTS BENT**  
**MITNEHMERS WINKEL**  
**ATTACHES RECTANGLE**

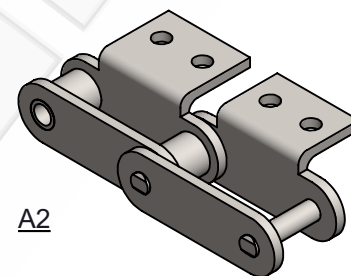
Voor rollenketting vlg. Amerikaanse norm langesteek  
 For rollerchain acc. to American standard extended pitch



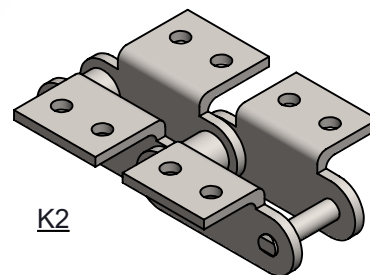
A1



K1



A2



K2

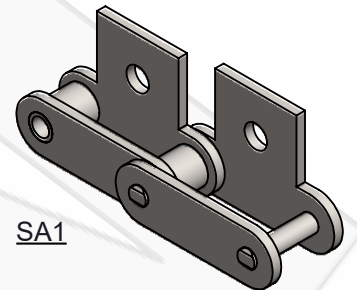
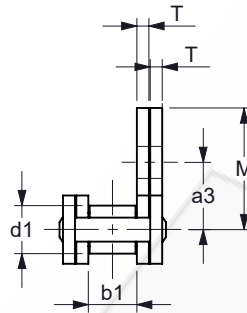
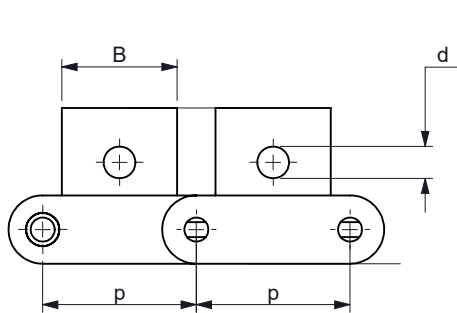
K.T.N. Number	p		b1 min. [mm]	d1 max. [mm]	T [mm]	B [mm]	a1 [mm]	a2 [mm]	W [mm]	d [mm]	H [mm]
	[inch]	[mm]									
C2040-C2042	1	25,40	7,85	7,95 - 15,88	1,50	19,10	9,50	12,70	19,10	3,60	9,10
C2050-C2052	1 1/4	31,75	9,53	10,16 - 19,05	2,00	23,80	11,90	15,90	23,90	5,20	11,10
C2060H-C2062H	1 1/2	38,10	12,70	11,91 - 22,23	3,20	28,60	14,25	21,45	31,90	5,20	14,70
C2080H-C2082H	2	50,80	15,88	15,88 - 28,58	4,00	38,10	19,05	27,80	40,50	6,80	19,10
C2100H-C2102H	2 1/2	63,50	19,05	19,05 - 39,68	4,80	47,60	23,80	33,30	50,00	8,70	23,40
C2120H-C2122H	3	76,20	25,40	22,23 - 44,45	5,60	57,20	28,60	39,65	60,70	10,30	27,80

Afwijkende meenemers op aanvraag  
 Deviated attachments on request

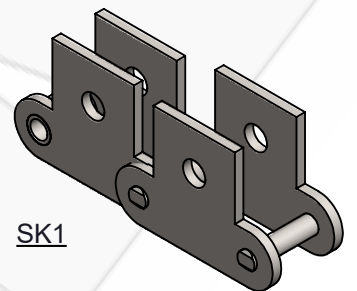
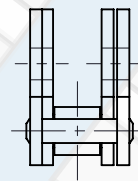
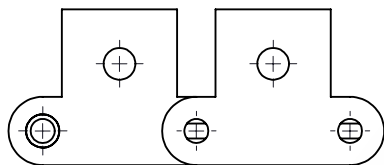
Optioneel diverse coatings / roestvast staal  
 Additional several coatings / stainless steel

**MEENEMERS RECHTOPSTAAND**  
**ATTACHMENTS STRAIGHT**  
**MITNEHMERS GERADE**  
**ATTACHES DROIT**

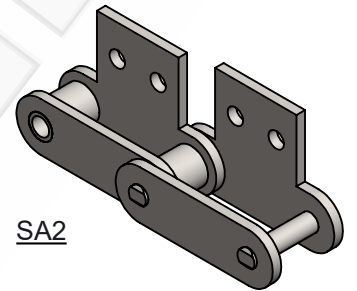
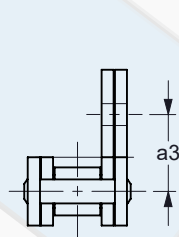
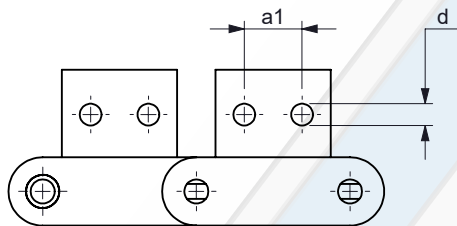
Voor rollenketting vlg. Amerikaanse norm langesteek  
 For rollerchain acc. to American standard extended pitch



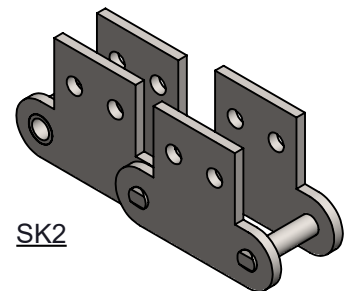
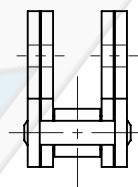
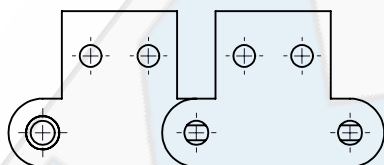
SA1



SK1



SA2



SK2

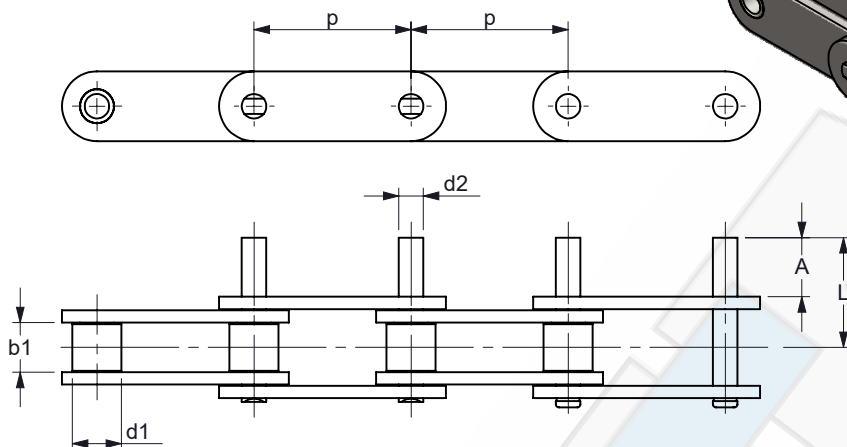
K.T.N. Number	p		b1 min. [mm]	d1 max. [mm]	T [mm]	B [mm]	a1 [mm]	M [mm]	d		a3	
	[inch]	[mm]							SA1-SK1	SA2-SK2	SA1-SK1	SA2-SK2
									[mm]	[mm]	[mm]	[mm]
C2040-C2042	1	25,40	7,85	7,95 - 15,88	1,50	19,10	9,50	19,80	5,20	3,60	11,10	13,50
C2050-C2052	1	31,75	9,53	10,16 - 19,05	2,00	23,80	11,90	24,10	6,80	5,20	14,25	15,90
C2060H-C2062H	1 1/2	38,10	12,70	11,91 - 22,23	3,20	28,60	14,25	31,05	8,70	5,20	17,50	19,05
C2080H-C2082H	2	50,80	15,88	15,88 - 28,58	4,00	38,10	19,05	40,30	10,30	6,80	22,20	25,40
C2100H-C2102H	2 1/2	63,50	19,05	19,05 - 39,68	4,80	47,60	23,80	47,85	13,50	8,70	28,60	31,75
C2120H-C2122H	3	76,20	25,40	22,23 - 44,45	5,60	57,20	28,60	60,00	16,00	10,30	33,30	37,30

Afwijkende meenemers op aanvraag  
 Deviated attachments on request

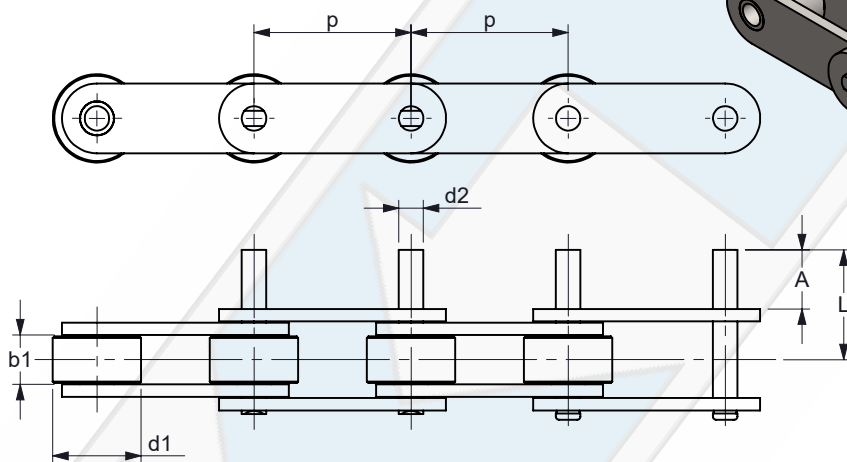
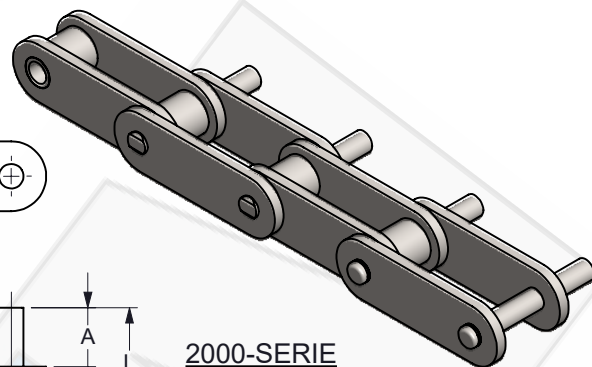
Optioneel diverse coatings / roestvast staal  
 Additional several coatings / stainless steel

**MEENEMERS VERLENGDE PENNEN**  
**ATTACHMENTS EXTENDED PINS**  
**MITNEHMER LÄNGERTEN BOLZEN**  
**ATTACHES AXES PROLONGES**

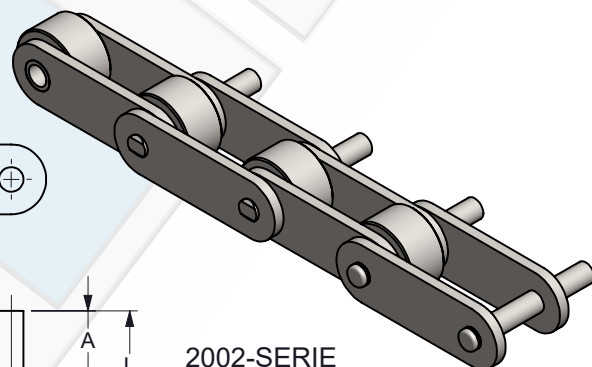
Voor rollenketting vlg. Amerikaanse norm langesteek  
 For rollerchain acc. to American standard extended pitch



2000-SERIE



2002-SERIE



K.T.N. Number	p		b1 min. [mm]	d1 max. [mm]	d2 max. [mm]	A [mm]	L [mm]
	[inch]	[mm]					
C2040-C2042 EP	1	25,40	7,85	7,95-15,88	3,97	9,52	16,60
C2050-C2052 EP	1 1/4	31,75	9,53	10,16-19,05	5,09	11,91	20,90
C2060H-C2062H EP	1 1/2	38,10	12,70	11,91-22,23	5,96	14,27	27,20
C2080H-C2082H EP	2	50,80	15,88	15,88-28,58	7,94	19,05	35,25
C2100H-C2102H EP	2 1/2	63,50	19,05	19,05-39,68	9,54	23,83	43,30
C2120H-C2122H EP	3	76,20	25,40	22,23-44,45	11,11	28,58	52,85

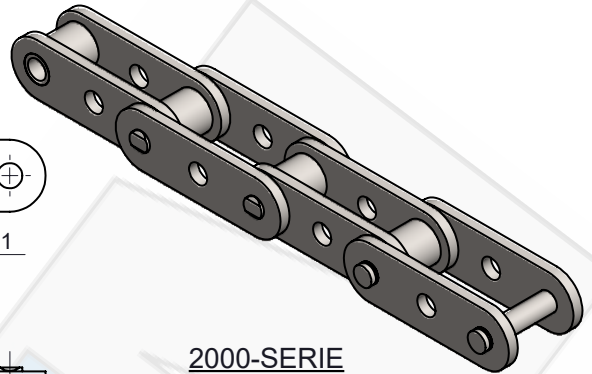
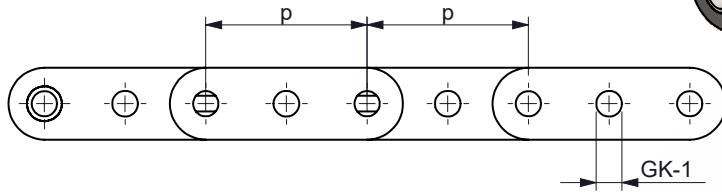
Afwijkende verlengde pennen op aanvraag  
 Deviated extended pins on request

Optioneel diverse coatings / roestvast staal  
 Additional several coatings / stainless steel

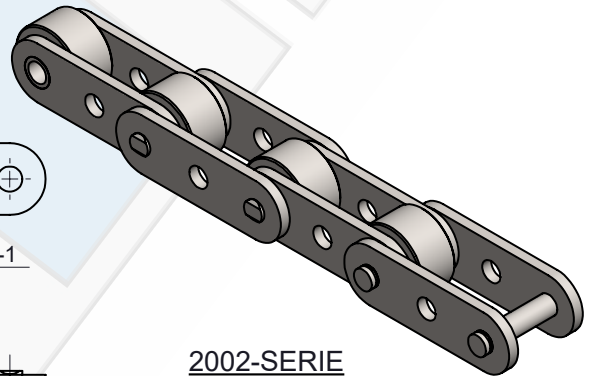
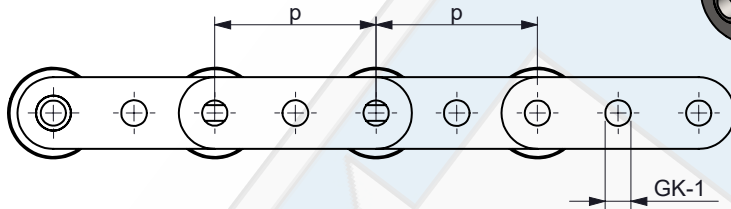
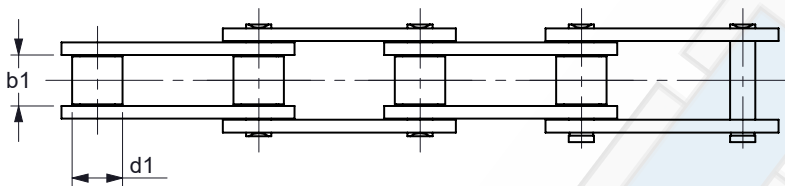
**UITVOERING MIDDENGAT  
EXECUTION MIDDLE HOLE  
AUSFÜHRUNG MITTELLOCH  
EXÉCUTION CENTRE TROU**

Voor rollenketting vlg. Amerikaanse norm langesteek  
For rollerchain acc. to American standard extended pitch

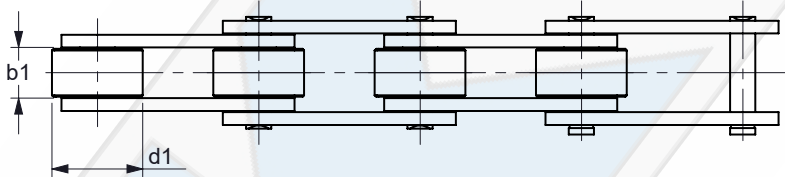
1



2000-SERIE



2002-SERIE



K.T.N. Number	p		b1 min. [mm]	d1 max. [mm]	GK-1 max. [mm]
	[inch]	[mm]			
C2040-C2042 GK	1	25,40	7,85	7,95-15,88	4,10
C2050-C2052 GK	1 1/4	31,75	9,53	10,16-19,05	5,10
C2060H-C2062H GK	1 1/2	38,10	12,70	11,91-22,23	6,10
C2080H-C2082H GK	2	50,80	15,88	15,88-28,58	8,10
C2100H-C2102H GK	2 1/2	63,50	19,05	19,05-39,68	10,10
C2120H-C2122H GK	3	76,20	25,40	22,23-44,45	12,10

Afwijkende middengaten op aanvraag  
Deviated middle holes on request

Optioneel diverse coatings / roestvast staal  
Additional several coatings / stainless steel